

CHAMPION

GLOBAL POWER EQUIPMENT TM-MC

OWNER'S MANUAL & OPERATING INSTRUCTIONS

Frame Type

PORTABLE GENERATOR



This manual covers the following models:

CPG2500 (EU) / CPG3500 (EU) / CPG4000 E1 (EU)
CPG6500 E2 (EU) / CPG 9000 E2 (EU)

SAVE THESE INSTRUCTIONS

Important Safety Instructions
are included in this manual.

Introduction

Congratulations on purchasing your generator. Please and maintain correctly.

Portable Power Generator

This unit is a petrol engine driven AC generator used for supply electrical power.

Accessories

CPE manufactures and supplies a series of accessories. See local dealer for more information.

This Booklet

We reserve the right to change, alter or improve the product and this manual without prior notice.

Record the model and serial numbers as well as date and place of purchase for future reference. Have this information available when ordering parts and when making technical or warranty inquiries.

Champion Power Equipment Support	
Model Number	
Serial Number	
Date of Purchase	
Purchase Location	
For Oil Type see 'Add Engine Oil' section. For Fuel Type see 'Add Fuel' section.	

Please familiarize yourself with the following symbols. The safety symbol and key words are safety warnings. Follow all safety messages to avoid accidents or injury.

DANGER

DANGER indicates an imminently hazardous situation which, if not avoided, **will** result in death or serious injury.

WARNING

WARNING indicates a potentially hazardous situation which, if not avoided, **could** result in death or serious injury.

CAUTION

CAUTION indicates a potentially hazardous situation which, if not avoided, **may** result in minor or moderate injury.

CAUTION

CAUTION used without the safety alert symbol indicates a potentially hazardous situation which, if not avoided, **may** result in property damage.

NOTE

If you have questions regarding your generator, we can help. Please contact your local dealer.

⚠ WARNING

Read this manual thoroughly before operating your generator. Failure to follow instructions could result in serious injury or death.

⚠ WARNING

The engine exhaust from this product contains chemicals that are known to cause serious health problems and even death.

⚠ DANGER

Generator exhaust contains carbon monoxide, a colorless, odorless, poison gas. Breathing carbon monoxide will cause nausea, dizziness, fainting or death. If you start to feel dizzy or weak, get to fresh air immediately.

Operate generator outdoors only in a well ventilated area.

DO NOT operate the generator inside any building, including garages, basements, crawlspaces and sheds, enclosure or compartment, including the generator compartment of a recreational vehicle. DO NOT allow exhaust fumes to enter a confined area through windows, doors, vents or other openings.

DANGER CARBON MONOXIDE: using a generator indoors **CAN KILL YOU IN MINUTES.**

⚠ DANGER

Rotating parts can entangle hands, feet, hair, clothing and/or accessories. Traumatic amputation or severe laceration can result.

Keep hands and feet away from rotating parts. Tie up long hair and remove jewelry. Operate equipment with guards in place. DO NOT wear loose-fitting clothing, dangling drawstrings or items that could become caught.

⚠ DANGER

Generator produces powerful voltage.

DO NOT touch bare wires or receptacles. DO NOT use electrical cords that are worn, damaged or frayed.

DO NOT operate generator in wet weather. DO NOT allow children or unqualified persons to operate or service the generator

Use a ground fault circuit interrupter (GFCI) in damp areas and areas containing conductive material such as metal decking.

Use approved transfer equipment to isolate generator from your electric utility and Notify your utility company before connecting your generator to your power system.

⚠ WARNING

Sparks can result in fire or electrical shock.

When servicing the generator:

Disconnect the spark plug wire and place it where it cannot contact the plug. DO NOT check for spark with the plug removed. Use only approved spark plug testers.

⚠ WARNING

Running engines produce heat. Severe burns can occur on contact. Combustible material can catch fire on contact.

DO NOT touch hot surfaces. Avoid contact with hot exhaust gases. Allow equipment to cool before touching. Maintain at least 3 ft. (91.4 cm) of clearance on all sides to ensure adequate cooling. Maintain at least 5 ft. (1.5 m) of clearance from combustible materials.

⚠ WARNING

Medical and Life Support Uses.

In an emergency, call emergency services immediately. NEVER use this product to power life support devices or life support appliances. NEVER use this product to power medical devices or medical appliances.

Inform your electricity provider immediately if you or anyone in your household depends on electrical equipment to live.

Inform your electrical provider immediately if a loss of power would cause you or anyone in your household to experience a medical emergency.

⚠ DANGER

Fuel and fuel vapors are highly flammable and extremely explosive.

Fire or explosion can cause severe burns or death. Unintentional startup can result in entanglement, traumatic amputation or laceration.

When adding or removing fuel:

Turn the generator off and let it cool for at least two minutes before removing the fuel cap. Loosen the cap slowly to relieve pressure in the tank.

Only fill or drain fuel outdoors in a well-ventilated area. DO NOT pump gas directly into the generator at the gas station. Use an approved container to transfer the fuel to the generator.

DO NOT overfill the fuel tank.

Always keep fuel away from sparks, open flames, pilot lights, heat and other sources of ignition.

DO NOT light or smoke cigarettes.

When starting the generator:

DO NOT attempt to start a damaged generator.

Make certain that the gas cap, air filter, spark plug, fuel lines and exhaust system are properly in place.

Allow spilled fuel to evaporate fully before attempting to start the engine.

Make certain that the generator is resting firmly on level ground.

When operating the generator:

DO NOT move or tip the generator during operation.

DO NOT tip the generator or allow fuel or oil to spill.

When transporting or servicing the generator:

Make certain that the fuel shutoff valve is in the off position and the fuel tank is empty.

Disconnect the spark plug wire.

When storing the generator:

Store away from sparks, open flames, pilot lights, heat and other sources of ignition.

⚠ WARNING

Operation of this equipment may create sparks that can start fires around dry vegetation.

A spark arrestor may be required. The operator should contact local fire agencies for laws or regulations relating to fire prevention requirements.

⚠ WARNING

Rapid retraction of the starter cord will pull hand and arm towards the engine faster than you can let go. Unintentional startup can result in serious injury. Broken bones, fractures, bruises or sprains could result.

When starting engine, pull the starter cord slowly until resistance is felt and then pull rapidly to avoid kickback.

DO NOT start or stop the engine with electrical devices plugged in.

⚠ CAUTION

Exceeding the generator's running capacity can damage the generator and/or electrical devices connected to it.

DO NOT overload the generator.

Start the generator and allow the engine to stabilize before connecting electrical loads.

Connect electrical equipment in the off position, and then turn them on for operation.

Turn electrical equipment off before stopping the generator.

DO NOT tamper with the governed speed.

DO NOT modify the generator in any way.

⚠ CAUTION

Improper treatment or use of the generator can damage it, shorten its life and void your warranty.

Use the generator only for intended uses.

Operate only on level surfaces.

DO NOT expose generator to excessive moisture, dust, or dirt.

DO NOT allow any material to block the cooling slots. If connected devices overheat, turn them off and disconnect them from the generator.

DO NOT use the generator if:

- Electrical output is lost
- Equipment sparks, smokes or emits flames
- Equipment vibrates excessively

Your generator requires some assembly. This unit ships from our factory without oil. It must be properly serviced with fuel and oil before operation.

If you have any questions regarding the assembly of your generator, contact your local dealer. Please have your serial number and model number available.

Remove the Generator from the Shipping Carton

1. Set the shipping carton on a solid, flat surface.
2. Remove everything from the carton except the generator.
3. Carefully cut each corner of the box from top to bottom. Fold each side flat on the ground to provide a surface area to install the wheel kit and support leg.

Install the Wheel Kit (Optional Extra)

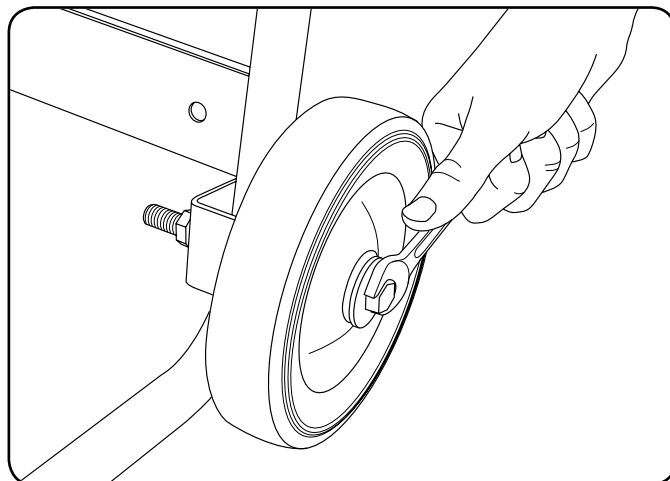
CAUTION

The wheel kit is not intended for over-the-road use.

You will need the following tools to install the wheels:

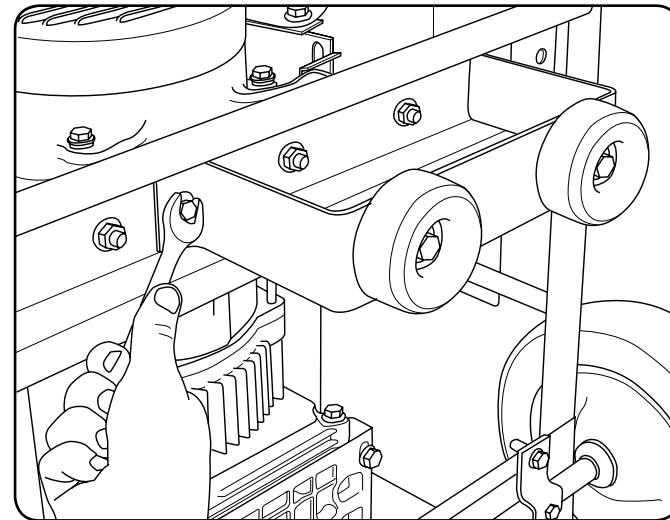
- 17 mm wrench OR adjustable wrench (not included)
- Socket wrench with a 16 mm socket (not included)
- Pliers (not included)

1. Before adding fuel and oil, tip the generator on its side.
2. Slide the M10x120 flange bolt through the washer, sleeve and wheel.
3. Slide the bolt through the mount point on the frame.
4. Fasten securely with the M10 lock nut.
5. Repeat steps 2-4 to attach the second wheel.



Install the Support Leg

1. Attach the vibration mounts to the support leg with a flange bolt M8 x 25 and flange lock nuts.
2. Attach the support leg to the generator frame with flange bolts M8 x 16 and flange lock nuts and fasten securely. DO NOT over tighten the lock nuts.
3. Tip the generator slowly so that it rests on the wheels and support leg.



Connect the Battery (Electric Start Models only)

1. Remove the protective cover from the red (+) lead on the battery.
2. Attach the red (+) lead to the red (+) terminal on the battery with the cap screw (M5x10) and secure with the lock washer (M5).
3. Repeat steps 1-2 for the black (-) battery lead.

Add Engine Oil

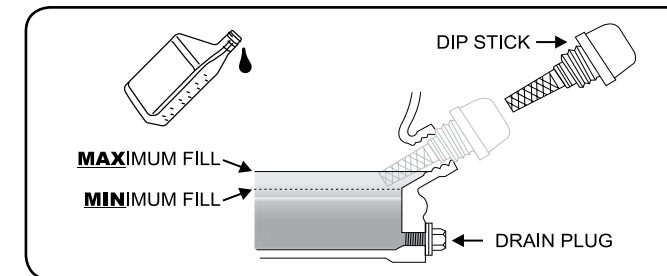
CAUTION

DO NOT attempt to crank or start the engine before it has been properly filled with the recommended type and amount of oil. Damage to the generator as a result of failure to follow these instructions will void your warranty.

NOTE

The recommended oil type is 10W-30 automotive oil.

1. Place the generator on a flat, level surface.
2. Remove oil fill cap/dipstick to add oil.
3. Add oil and replace oil fill cap/dipstick. DO NOT OVERFILL.
4. Check engine oil level daily and add as needed.



NOTE

Once oil has been added, a visual check should show oil about 1-2 threads from running out of the fill hole. If using the dipstick to check oil level, DO NOT screw in the dipstick while checking.

CAUTION

The engine is equipped with a low oil shut-off and will stop when the oil level in the crankcase falls below the threshold level.

Add Engine Oil Cont'd.

NOTE

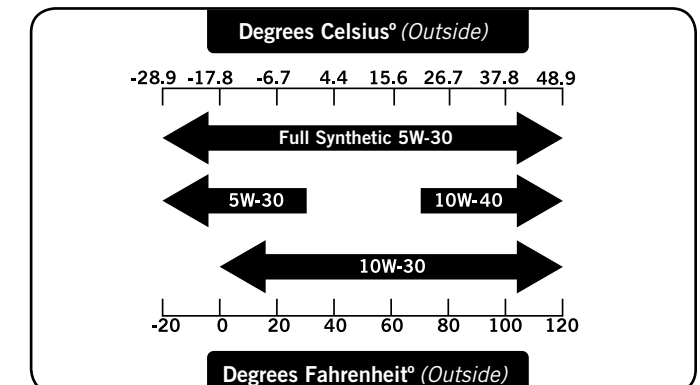
Check oil often during the break-in period. Refer to the Maintenance section for recommended service intervals.

NOTE

The generator rotor has a sealed, pre-lubricated ball bearing that requires no additional lubrication for the life of the bearing.

NOTE

We consider the first 5 hours of run time to be the break-in period for the unit. During the break in period stay at or below 50% of the running watt rating and vary the load occasionally to allow stator windings to heat and cool. Adjusting the load will also cause engine speed to vary and help seat piston rings. After the 5 hour break-in period, change the oil.



NOTE

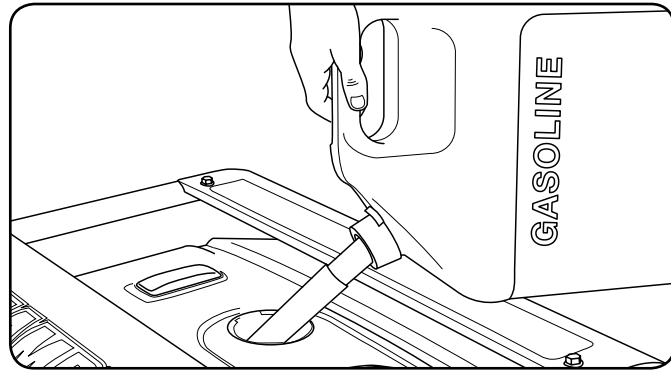
Weather will affect engine oil and engine performance. Change the type of engine oil used based on weather conditions to suit the engine needs.

NOTE

Synthetic oil may be used after the 5 hour initial break-in period. Using synthetic oil does not increase the recommended oil change interval. Full synthetic 5W-30 oil will aid in starting in cold ambient <5°C (41°F)

Add Fuel

1. Use clean, fresh, regular unleaded fuel with a minimum octane rating of 85 and an ethanol content of less than 10% by volume.
2. DO NOT mix oil with fuel.
3. Clean the area around the fuel cap.
4. Remove the fuel cap.
5. Slowly add fuel to the tank. DO NOT OVERFILL. Fuel can expand after filling. A minimum of ¼ in. (6.4 mm) of space left in the tank is required for fuel expansion, more than ¼ in. (6.4 mm) is recommended. Fuel can be forced out of the tank as a result of expansion if it is overfilled, and can affect the stable running condition of the product. When filling the tank, it is recommended to leave enough space for the fuel to expand.



6. Screw on the fuel cap and wipe away any spilled fuel.

CAUTION

Use regular unleaded gasoline with a minimum octane rating of 85.

Do not mix oil and gasoline.
 Fill tank to approximately ¼ in. (6.4 mm) below the top of the tank to allow for fuel expansion.
 DO NOT pump gas directly into the generator at the gas station. Use an approved container to transfer the fuel to the generator.
 DO NOT fill fuel tank indoors.
 DO NOT fill fuel tank when the engine is running or hot.
 DO NOT overfill the fuel tank.
 DO NOT light cigarettes or smoke when filling the fuel tank.

WARNING

Pouring fuel too fast through the fuel screen may result in blow back of fuel at the operator while filling.

Add Fuel Cont'd.

NOTE

Our engines work well with 10% or less ethanol blend fuels. When using blended fuels there are some issues worth noting:

- Ethanol-gasoline blends can absorb more water than gasoline alone.
- These blends can eventually separate, leaving water or a watery goo in the tank, fuel valve and carburetor.
- With gravity-fed fuel supplies, this compromised fuel can be drawn into the carburetor and cause damage to the engine and/or potential hazards.
- There are only a few suppliers of fuel stabilizer that are formulated to work with ethanol blend fuels.
- Any damages or hazards caused by using improper fuel, improperly stored fuel, and/or improperly formulated stabilizers, are not covered by manufacture's warranty.

It is advisable to always shut off the fuel supply, run the engine to fuel starvation and drain the tank when the equipment is not in use for more than 30 days.

Grounding

Your generator must be properly connected to an appropriate ground to help prevent electric shock.

WARNING

Failure to properly ground the generator can result in electric shock.

A ground terminal connected to the frame of the generator has been provided on the power panel. For remote grounding, connect a length of heavy gauge (12 AWG minimum) copper wire between the generator ground terminal and a copper rod driven into the ground. We strongly recommend that you consult with a qualified electrician to ensure compliance with local electrical codes.

Generator Location

Never operate the generator inside any building! (See safety warnings section). In some areas generators must be registered with the local utility company. Generators used on construction sites may be subject to local rules and regulations. Keep on a flat, level surface. Generators must have at least 5 ft (1.5m) clearance from all combustibile material. In addition they must have at least 3 ft (91.4cm) of clearance on all sides to allow for adequate cooling, maintenance and servicing. Generators should never be started or operated in ant location that will not allow for adequate cooling of the generator and/or the muffler. Allow generators to cool before storage or transportation. Do not place the generator near any vents or intakes. Carefully consider wind and air currents when placing generator.

Failure to follow proper safety precautions may void manufacturer's warranty.

WARNING

Do not operate or store the generator in rain, snow, or wet weather.

Using a generator or electrical appliance in wet conditions, such as rain or snow, or near a pool or sprinkler system, or when your hands are wet, could result in electrocution.

WARNING

During operation the muffler and exhaust fumes produced will become hot. If adequate cooling and breathing space are not supplied, or if the generator is blocked or contained, temperatures can become extremely heated and may lead to fire.

Grounding

The generator system ground connects the frame to the ground terminals on the power panel. The system ground is connected to the AC neutral wire.

Surge Protection

CAUTION

Voltage fluctuation may impair the proper functioning of sensitive electronic equipment.

Electronic devices, including computers and many programmable appliances use components that are designed to operate within a narrow voltage range and may be affected by momentary voltage fluctuations. While there is no way to prevent voltage fluctuations, you can take steps to protect sensitive electronic equipment.

1. Install UL1449, CSA-listed, plug-in surge suppressors on the outlets feeding your sensitive equipment. Surge suppressors come in single- or multi-outlet styles. They're designed to protect against virtually all short-duration voltage fluctuations.

Starting the Engine

1. Make certain the generator is on a flat, level surface.
2. Disconnect all electrical loads from the generator. Never start or stop the generator with electrical devices plugged in or turned on.
3. Turn the Fuel Valve to the "ON" position.
4. Move the choke lever to the "CHOKE" position.
5. Flip the ignition switch to the "ON" position.
6. For models that have an ELECTRIC START: Press and hold the ignition switch to the "START" position. Release as the engine begins to roll over. If the engine fails to start within five seconds, release the switch and wait at least ten seconds before attempting to start the engine again.
7. RECOIL START: Pull the starter cord slowly until resistance is felt and then pull rapidly
8. Do not over-choke. As as soon as engine starts, move the choke lever to the "RUN" position.

Starting the Engine Cont'd.

NOTE
Keep choke lever in “Choke” position for only 1 pull of the recoil starter. After first pull, move choke lever to the “Run” position for up to the next 3 pulls of the recoil starter. Too much choke will cause the engine not to start.

NOTE
If the engine starts but does not run make certain that the generator is on a flat, level surface. The engine is equipped with a low oil sensor that will prevent the engine from running when the oil level falls below a critical threshold.

NOTE
When the battery switch is in the “ON” position, the switch will light up if the battery is sending out a charge. If the switch does not light up while in the “ON” position, check that the battery connection is still good.

NOTE
The supplied 12V 15AH battery does re-charge while the engine is running, but it is also recommended that the battery be fully charged at least once per month.

Connecting Electrical Loads

1. Let the engine stabilize and warm up for a few minutes after starting
2. Plug in and turn on the desired 120/240 Volt AC single phase, 50 Hz electrical loads.
 - DO NOT connect 3-phase loads to the generator.
 - DO NOT connect 60 Hz loads to the generator.
 - DO NOT overload the generator.

Connecting Electrical Loads Cont'd.

NOTE
Connecting a generator to your electric utility company's power lines or to another power source may be against the law. In addition this action, if done incorrectly, could damage your generator and appliances and could cause serious injury or even death to you or a utility worker who may be working on nearby power lines. If you plan to run a portable electric generator during an outage, please notify your electric utility company immediately and remember to plug your appliances directly into the generator. Do not plug the generator into any electric outlet in your home. Doing so could create a connection to the utility company power lines. You are responsible for ensuring that your generator's electricity does not feed back into the electric utility power lines. If the generator will be connected to a building electrical system, consult your local utility company or a qualified electrician. Connections must isolate generator power from utility power and must comply with all applicable laws and codes.

Stopping the Engine

1. Turn off and unplug all electrical loads. Never start or stop the generator with electrical devices plugged in or turned on.
2. Let the generator run at no-load for several minutes to stabilize internal temperatures of the engine and generator.
3. Turn the Fuel Valve to the “OFF” position.
4. Let the engine run until fuel starvation has stopped the engine. This usually takes a few minutes.
5. Press the Ignition Switch to the “OFF” position.

Important: Always ensure that the Fuel Valve and the Ignition Switch are in the “OFF” position when the engine is not in use.

NOTE
If the engine will not be used for a period of two (2) weeks or longer, please see the Storage section for proper engine and fuel storage.

Do Not Overload Generator

Capacity

Follow these simple steps to calculate the running and starting watts necessary for your purposes.

1. Select the electrical devices you plan on running at the same time.
2. Total the running watts of these items. This is the amount of power you need to keep your items running.
3. Identify the highest starting wattage of all devices identified in step 1. Add this number to the number calculated in step 2. Surge wattage is the extra burst of power needed to start some electric driven equipment. Following the steps listed under “Power Management” will guarantee that only one device will be starting at a time.

Power Management

Use the following formula to convert voltage and amperage to watts:

$$\text{Volts} \times \text{Amps} = \text{Watts}$$

To prolong the life of your generator and attached devices, follow these steps to add electrical load:

1. Start the generator with no electrical load attached
2. Allow the engine to run for several minutes to stabilize.
3. Plug in and turn on the first item. It is best to attach the item with the largest load first.
4. Allow the engine to stabilize.
5. Plug in and turn on the next item.
6. Allow the engine to stabilize.
7. Repeat steps 5-6 for each additional item.

NOTE
Never exceed the specified capacity when adding loads to the generator.

Operation at High Altitude

Be aware that engine efficiency can reduce and exhaust emissions increase when working at high altitude. Other high altitude issues can include hard starting, increased fuel consumption and spark plug fouling. This is a natural trend and cannot be altered by engine adjustment.

The owner/operator is responsible for all periodic maintenance.

⚠ WARNING

Never operate a damaged or defective generator.

⚠ WARNING

Tampering with the factory set governor will void your warranty.

⚠ WARNING

Improper maintenance will void your warranty.

NOTE

Maintenance, replacement, or repair of emission control devices and systems may be performed by any non-road engine repair establishment or individual.

Complete all scheduled maintenance in a timely manner. Correct any issue before operating the generator.

Engine Maintenance

To prevent accidental starting, remove and ground spark plug wire before performing any service.

Oil

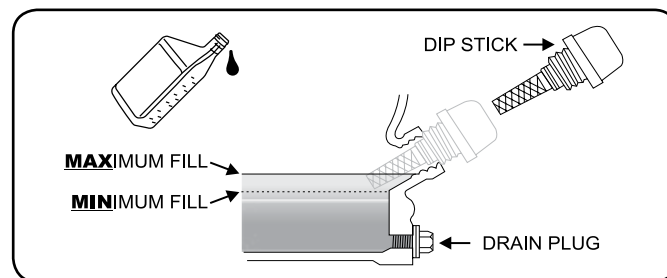
Change oil when the engine is warm. Refer to the oil specification to select the proper grade of oil for your operating environment.

1. Remove the oil drain plug with a 15 mm socket and extension (not included).
2. Allow the oil to drain completely.
3. Replace the drain plug.
4. Remove oil fill cap/dipstick to add oil.
5. Add oil and replace oil fill cap/dipstick. DO NOT OVERFILL.
6. Dispose of used oil at an approved waste management facility.

Oil Cont'd.

NOTE

Once oil has been added, a visual check should show oil about 1-2 threads from running out of the fill hole. If using the dipstick to check oil level, DO NOT screw in the dipstick while checking.



Spark Plugs

1. Remove the spark plug cable from the spark plug.
2. Remove the plug.
3. Inspect the electrode on the plug. It must be clean and not worn to produce the spark required for ignition.
4. Refer to spark plug information located in the "specification" page for this model.
5. Carefully thread the plug into the engine.
6. Use the spark plug tool (not included) to firmly install the plug.
7. Attach the spark plug wire to the plug.

Air Filter

1. Remove the snap-on cover holding the air filter to the assembly.
2. Remove the foam element.
3. Wash in liquid detergent and water. Squeeze thoroughly dry in a clean cloth.
4. Saturate in clean engine oil.
5. Squeeze in a clean, absorbent cloth to remove all excess oil.
6. Place the filter in the assembly.
7. Reattach the air filter cover and snap in place.

Spark Arrester

1. Allow the engine to cool completely before servicing the spark arrester.
2. Remove the screws holding the cover plate which retains the end of the spark arrester to the muffler.
3. Remove the spark arrester screen.
4. Carefully remove the carbon deposits from the spark arrester screen with a wire brush.
5. Replace the spark arrester if it is damaged.
6. Position the spark arrester in the muffler and attach with the three screws.

⚠ CAUTION

Failure to clean the spark arrester will result in degraded engine performance.

NOTE

Federal and local laws and administrative requirements indicate when and where spark arresters are required.

Cleaning

⚠ CAUTION

⚠ NOT spray engine with water.

Water can contaminate the fuel system.

Use a damp cloth to clean exterior surfaces of the engine. Use a soft bristle brush to remove dirt and oil. Use an air compressor (25 PSI) to clear dirt and debris from the engine.

Adjustments

The air-fuel mixture is not adjustable. Tampering with the governor can damage your generator and your electrical devices and will void your warranty. CPE recommends that you contact your local dealer for all other service and/or adjustment needs.

Maintenance Schedule

Follow the service intervals indicated in the following maintenance schedule.

Service your generator more frequently when operating in adverse conditions.

Every 8 hours or daily	
	Check oil level
	Clean around air intake and muffler
First 5 Hours	
	Change oil
Every 50 hours or every season	
	Clean air filter
	Change oil if operating under heavy load or in hot environments
Every 100 hours or every season	
	Change oil
	Clean/Adjust spark plug
	Check/Adjust valve clearance*
	Clean spark arrester
	Clean fuel tank and filter*
Every 250 hours	
	Clean combustion chamber*
Every 3 years	
	Replace fuel line

*To be performed by knowledgeable, experienced owners or Champion Power Equipment certified dealers.

Generator Maintenance

Make certain that the generator is kept clean and stored properly. Only operate the unit on a flat, level surface in a clean, dry operating environment. DO NOT expose the unit to extreme conditions, excessive dust, dirt, moisture or corrosive vapors.

⚠ CAUTION

DO NOT use a garden hose to clean the generator.

Water can enter the generator through the cooling slots and damage the generator windings.

Use a damp cloth to clean exterior surfaces of the generator. Use a soft bristle brush to remove dirt and oil. Use an air compressor (25 PSI) to clear dirt and debris from the generator. Inspect all air vents and cooling slots to ensure that they are clean and unobstructed.

Storage

The generator should be started at least once every 14 days and allowed to run for at least 20 minutes. For longer term storage, please follow these guidelines.

Generator Storage

1. Add a properly formulated fuel stabilizer to the tank.
2. Be sure all appliances are disconnected from the generator.
3. Run the generator for a few minutes so the treated fuel cycles through the fuel system and carburetor.
4. Turn the fuel valve to the "Off" position.
5. Let the generator run until fuel starvation has stopped the engine. This usually takes a few minutes.
6. The generator needs to cool completely before cleaning and storage.
7. Clean the generator according to the maintenance section.
8. Change the oil.
9. Remove the spark plug and pour about 1/2 ounce (14.8 mL) of oil into the cylinder. Crank the engine slowly to distribute the oil and lubricate the cylinder.
10. Reattach the spark plug.
11. Store the unit in a clean, dry place out of direct sunlight.

Battery

Some frame type generators are equipped with an automatic battery charging circuit. The battery will receive charging voltage when the engine is running. The battery will maintain a proper charge if the unit is used on a regular basis (about once every two weeks). If it is used less frequently, the battery should be connected to a trickle charger or battery maintainer to keep the battery properly charged. If the battery is not able to start the engine, it can be started by manually pulling the engine recoil cord. If the battery voltage is extremely low, the charging circuit may not be able to re-charge the battery. In this case, the battery must be connected to a standard automotive style battery charger for re-charging before it can be used.

Charge the Battery

For generators equipped with batteries for electric starting, proper battery maintenance and storage should be followed. An automatic battery charger (not included) with automatic trickle charging capability should be used to charge the battery. Maximum charging rate should not exceed 1.5 amps. Follow the instructions included with the battery charger. The battery should be fully charged at least once per month.

NOTE

A Float Charger will maintain the battery condition over long storage periods.

Disconnect the Battery

1. Remove the protective cover from the black/negative battery lead.
2. Disconnect the black/negative lead from the black/negative terminal on the battery and store the cap screw and lock washer.
3. Repeat steps 1-2 for the red/positive battery lead.
4. Store the battery in a cool, dry place.

⚠ DANGER

Generator exhaust contains odorless and colorless carbon monoxide gas.

To avoid accidental or unintended ignition of your electric start generator during periods of storage, the following precautions should be followed:

- When storing the generator for short periods of time make sure that the Ignition Switch and the Fuel Valve are set in the OFF position.
- When storing the generator for extended periods of time make sure that the Ignition Switch and the Fuel Valve are set in the OFF position and the battery leads have been disconnected from the battery.

Problem	Cause	Solution
Generator will not start	No fuel	Add fuel
	Faulty spark plug	Replace spark plug
	Unit loaded during start up	Remove load from unit
Generator will not start; Generator starts but runs roughly	Low oil level	Fill crankcase to the proper level Place generator on a flat, level surface
	Choke in the wrong position.	Adjust choke.
	Spark plug wire loose	Attach wire to spark plug
Generator will not start electrically	Generator battery is dead	Recharge generator battery
Generator shuts down during operation	Out of fuel	Fill fuel tank
	Low oil level	Fill crankcase to the proper level. Place generator on a flat, level surface
Generator cannot supply enough power or overheating	Generator is overloaded	Review load and adjust. See "Power Management"
	Insufficient ventilation	Check for air restriction. Move to a well ventilated area
No AC output	Cable not properly connected	Check all connections
	Connected device is defective	Replace defective device
	Circuit breaker is open	Reset circuit breaker
	Faulty brush assembly	Replace brush assembly (Service Center)
	Faulty AVR (auto voltage regulator)	Replace AVR (Service Center)
	Loose wiring	Inspect and tighten wiring connections
Other	Contact the help line.	
Generator gallops	Engine governor defective	Contact the help line
Repeated circuit breaker tripping	Overload	Review load and adjust. See "Power Management"
	Faulty cords or device	Check for damaged, bare or frayed wires. Replace defective device

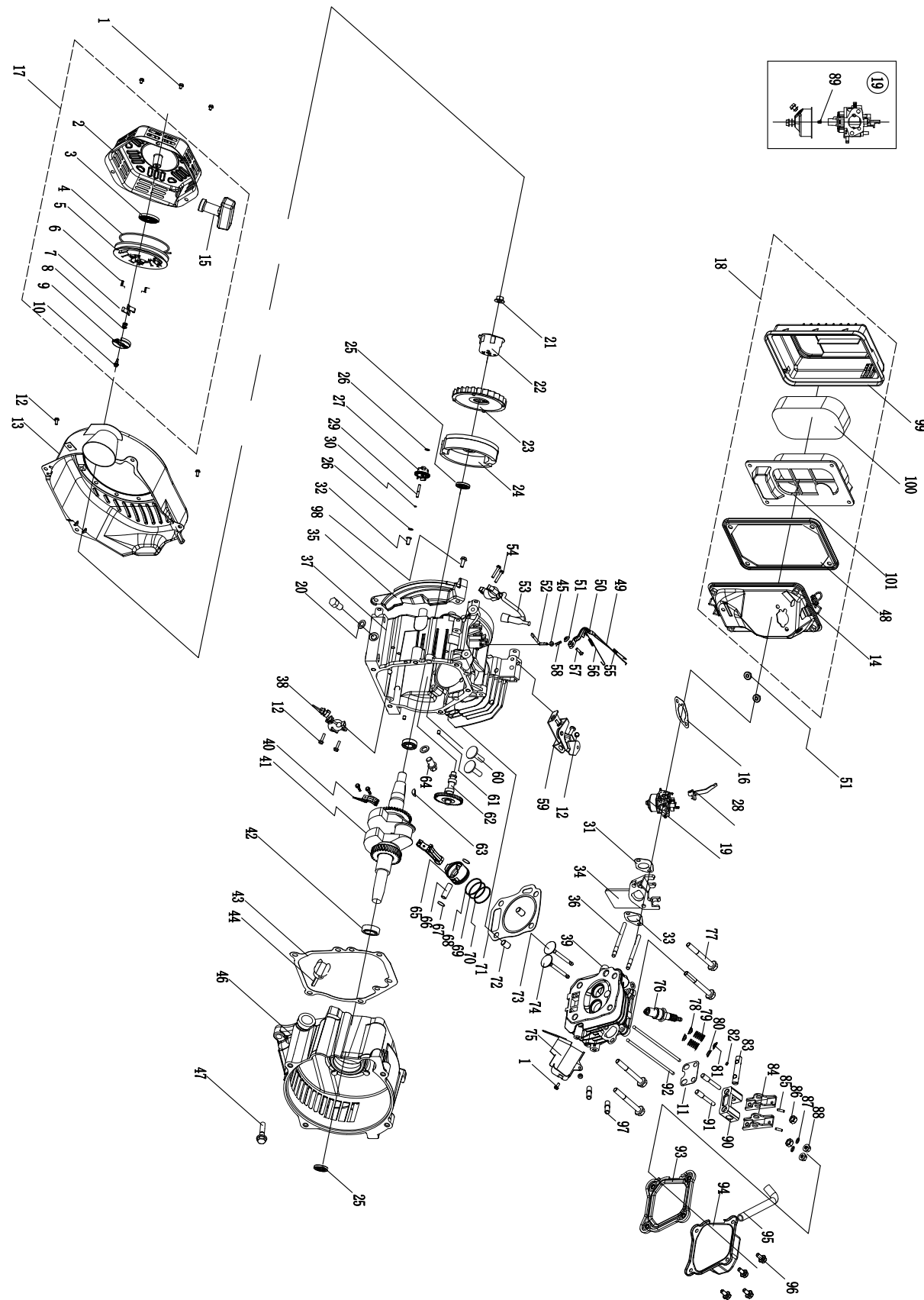
SPECIFICATIONS

SPECIFICATIONS	CPG2500 (EU)	CPG3500 (EU)	CPG4000 E1 (EU)
Gasoline Starting Watts	2300W	2800W	3750W
Gasoline Running Watts	1900W	2500W	3000W
Gasoline Starting Amps at 120V	10.45A	12.73A	17.05A
Gasoline Running Amps at 120V	8.64A	11.36A	13.64A
Volts	220	220	220
Frequency	50Hz	50Hz	50Hz
Outlets	220V 16A Euro 2Pin	220V 16A Euro 2Pin	220V 16A Euro 2Pin
GFCI Outlets	No	No	No
Covered Outlets	Yes	Yes	Yes
Gasoline Run Time at 1/2 Load	10.0 h.	10.0 h.	10.0 h.
Noise Level	65.0 dBA	65.0 dBA	68.0 dBA
Inverter	No	No	No
Parallel Capability	No	No	No
DC Operation	No	Yes	Yes
Voltmeter	No	Yes	Intelligauge
Automatic Voltage Regulation	Yes	Yes	Yes
Battery	No	No	Yes
Start Type	Recoil	Recoil	Recoil/Electric Start
Engine Brand	Champion	Champion	Champion
Engine Size	196cc	196cc	224cc
Engine Type	4-stroke	4-stroke	4-stroke
Engine Speed	3000	3000	3000
Fuel Type	Gasoline	Gasoline	Gasoline
Fuel Gauge	Yes	Yes	Yes
Gasoline Capacity	15L	15L	15L
Gasoline Tank Material	Steel	Steel	Steel
Engine Oil Type	10W-30	10W-30	10W-30
Engine Oil Capacity	0.6 L	0.6 L	0.6 L
Engine Oil Included	No	No	No
Low Oil Shut-Off	Yes	Yes	Yes
Wheels	No	No	No
CE Certified	Yes	Yes	Yes

SPECIFICATIONS

SPECIFICATIONS	CPG6500 E2 (EU)	CPG9000 E2 (EU)
Gasoline Starting Watts	6250W	9375W
Gasoline Running Watts	5000W	7500W
Gasoline Starting Amps at 120V	28.41A	42.61A
Gasoline Running Amps at 120V	22.73A	34.09A
Volts	220	220
Frequency	50Hz	50Hz
Outlets	220V 16A Euro 2Pin 220V 32A Euro 3Pin	220V 16A Euro 2Pin 220V 32A Euro 3Pin
GFCI Outlets	No	No
Covered Outlets	Yes	Yes
Gasoline Run Time at 1/2 Load	8.0 h.	8.0 h.
Noise Level	73.0 dBA	74.0 dBA
Inverter	No	No
Parallel Capability	No	No
DC Operation	Yes	Yes
Voltmeter	Intelligauge	Intelligauge
Automatic Voltage Regulation	Yes	Yes
Battery	Yes	Yes
Start Type	Recoil/Electric Start	Recoil/Electric Start
Engine Brand	Champion	Champion
Engine Size	389cc	459cc
Engine Type	4-stroke	4-stroke
Engine Speed	3000	3000
Fuel Type	Gasoline	Gasoline
Fuel Gauge	Yes	Yes
Gasoline Capacity	25L	25L
Gasoline Tank Material	Steel	Steel
Engine Oil Type	10W-30	10W-30
Engine Oil Capacity	1.1 L	1.1 L
Engine Oil Included	No	No
Low Oil Shut-Off	Yes	Yes
Wheels	Yes	Yes
CE Certified	Yes	Yes

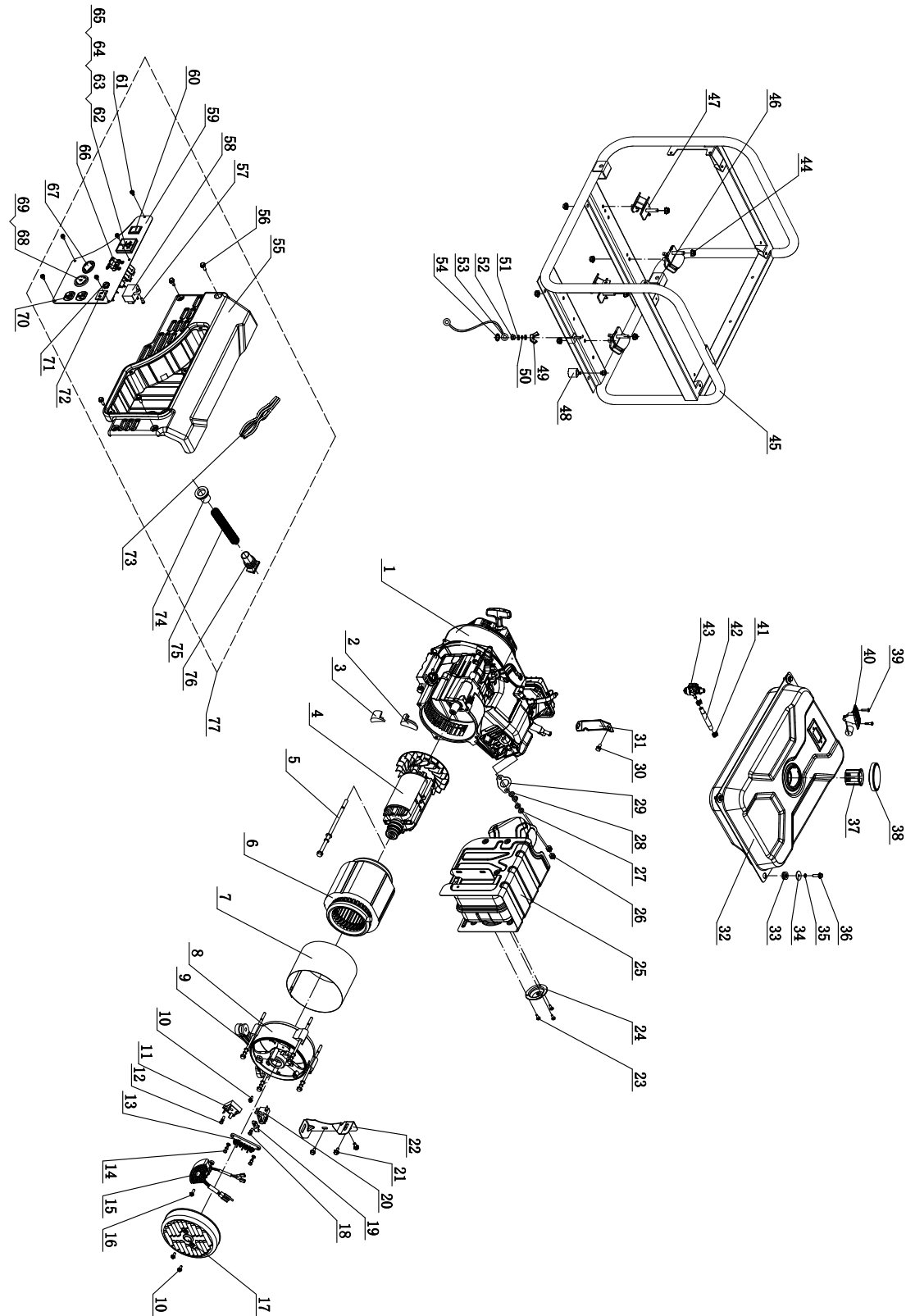
CPG2500 (EU) PARTS DIAGRAM



CPG2500 (EU) PARTS LIST

No.	Part Number	Description	Qty.	No.	Part Number	Description	Qty.
1	1.5789.0608	Flange Bolt M6 x 8	5	52	21.110001.00	Shaft, Governor Arm	1
2	22.061100.00.2	Cover, Recoil Starter, Black	1	53	22.123000.01	Ignition Coil, Silicon Rubber	1
3	21.061005.00	Spring, Recoil Starter	1	54	1.5789.0625	Flange Bolt M6 x 25	2
4	2.10.003	Rope Ø5 x 1550	1	55	23.110005.01	Spring, Throttle Return	1
5	21.061001.01	Reel, Recoil Starter	1	56	23.110007.00	Spring, Governor	1
6	45.060003.00	Spring, Ratchet	2	57	2.08.040	Bolt M6 x 21, Governor Arm	1
7	45.060002.00	Starter Ratchet, Steel	2	58	21.110008.00	Pin, Shaft	1
8	45.060009.00	Spring, Ratchet Guide	1	59	23.111000.20	Control Assembly	1
9	45.060007.00	Ratchet Guide	1	60	25.040013.00	Lifter, Valve	2
10	45.060008.00	Screw, Ratchet Guide	1	61	2.04.001	Dowel Pin Ø9 x 14	2
11	24.040004.00	Guide Plate, Push Rod	1	62	26.041000.00	Camshaft	1
12	1.5789.0612	Flange Bolt M6 x 12	8	63	2.14.012	Woodruff Key 4 x 7.5 x 19	1
13	24.080100.01.48	Fan Cover, Yellow	1	64	2.08.037	Drain Bolt M10 x 1.25 x 25	2
14	24.091100.20	Base, Air Cleaner	1	65	26.050005.00	Piston	1
15	21.061300.00	Handle, Recoil, Soft	1	66	23.050003.00	Pin, Piston	1
16	24.130004.20	Gasket, Air Cleaner	1	67	2.09.001	Circlip Ø18 x Ø1	2
17	22.061000.00	Recoil Assembly	1	68	26.050303.00	Ring, Oil	1
18	24.091000.20	Air Cleaner Assembly	1	69	26.050302.00	Ring, Second Piston	1
19	26.131000.20	Carburetor	1	70	26.050301.00	Ring, First Piston	1
20	2.03.016	Washer Ø10 x Ø16 x 1.5, Drain Bolt	2	71	26.030009.00	Gasket, Cylinder Head	1
21	2.02.006	Nut M14 x 1.5	1	72	2.04.003	Dowel Pin Ø10 x 14	2
22	21.060001.01	Pulley, Starter	1	73	23.040002.00	Valve, Intake	1
23	23.080001.00	Cooling Fan	1	74	23.040006.00	Valve, Exhaust	1
24	24.120100.06	Flywheel	1	75	26.080400.00	Air Guide, Lower	1
25	2.11.001	Oil Seal Ø25 x Ø41.3 x 6	2	76	2.15.001(F6TC)	Spark Plug F6TC	1
26	2.03.020.1	Washer Ø6.2 x Ø15 x 0.5, Black	2	77	1.5789.0860	Flange Bolt M8 x 60	4
27	21.110100.00	Gear, Governor	1	78	23.040017.00	Oil Seal, Valve, Iron	2
28	23.130100.20	Choke Lever	1	79	21.040003.00	Spring, Valve	2
29	21.110013.00	Shaft, Governor Gear	1	80	21.040007.00	Retainer, Exhaust Valve Spring	1
30	21.110011.00	Clip, Governor Gear	1	81	21.040001.00	Retainer, Intake Valve Spring	1
31	22.130003.00	Gasket, Carburetor	1	82	21.040008.00	Rotator, Exhaust Valve	1
32	21.110012.01	Bushing, Governor Gear, Steel	1	83	24.040202.00	Shaft, Rocker Arm	1
33	24.130002.00	Gasket, Insulator	1	84	22.040009.00	Rocker Arm, Intake Valve	2
34	23.130001.00	Insulator, Carburetor	1	85	22.040012.00	Screw, Valve Adjustment	2
35	23.080600.00	Air Guide, Right Side	1	86	21.040021.00	Nut M6 x 0.5, Lock	2
36	2.01.003	Stud Bolt M6 x 90	2	87	1.97.1.06	Washer Ø6	2
37	26.030100.00	Crankcase	1	88	1.6177.1.06	Flange Nut M6	2
38	21.127000.02	Oil Level Sensor	1	89	26.131017.20	Main Jet, Standard	1
39	26.010100.00	Cylinder Head	1	90	26.131017.20.01	Main Jet, Altitude	/
40	23.050200.00	Connecting Rod	1	91	24.040201.00	Retainer, Rocker Arm	1
41	25.050100.11	Crankshaft	1	92	23.040010.00	Bolt, Rocker Arm	2
42	1.276.6205	Bearing 6205	2	93	23.040005.00	Push Rod	2
43	24.030008.00	Gasket, Crankcase Cover	1	94	21.020002.01	Gasket, Cylinder Head Cover	1
44	22.031000.00.48	Oil Dipstick Assembly, Yellow	1	95	24.021000.00	Cover, Cylinder Head	1
45	2.03.021.1	Washer Ø6.4 x Ø13 x 1, Black	1	96	23.020001.02	Breather Tube	1
46	23.030007.01	Cover, Crankcase	1	97	1.5789.0615	Flange Bolt M6 x 15	4
47	1.5789.0832.0.8	Flange Bolt M8 x 32	6	98	2.01.010	Stud Bolt M8 x 35	2
48	23.091002.21	Seal, Air Cleaner	1	99	1.5789.0620	Flange Bolt M6 x 20	1
49	23.110006.00	Rod, Governor	1	100	24.091200.20	Cover, Air Cleaner	1
50	21.110003.00	Arm, Governor	1	101	23.091003.21	Element, Air Cleaner	1
51	1.6177.06	Flange Nut M6	3	101	23.091001.21	Separator, Air Cleaner	1

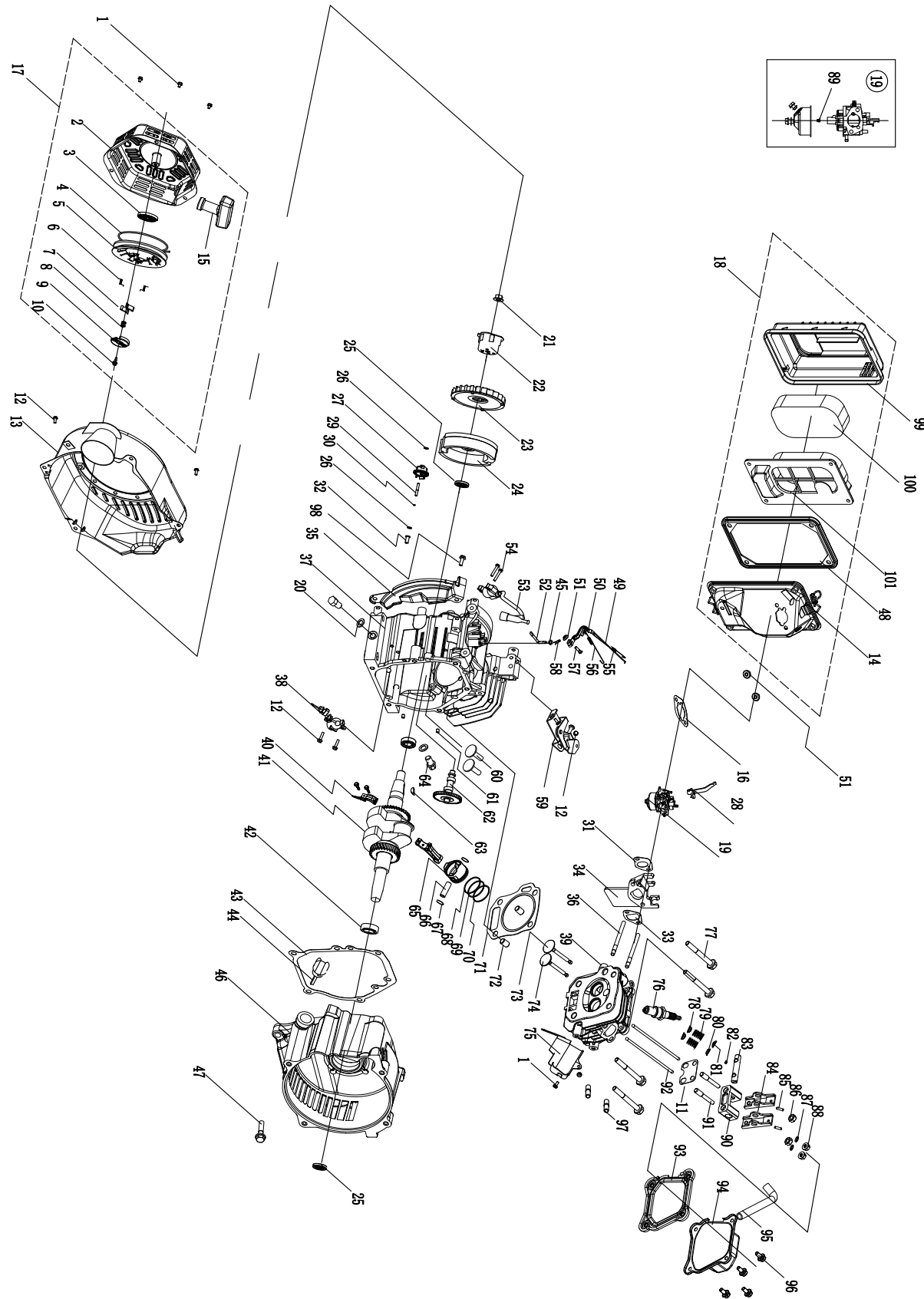
CPG2500 (EU) PARTS DIAGRAM



CPG2500 (EU) PARTS LIST

No	Part Number	Description	QTY	No	Part Number	Description	QTY
1	CPG2500	Engine	1	41	2.06.007	Clamp Ø8 x b6	2
2	122.190005.00	Rubber, Fore-Cover, B	1	42	122.070011.04	Fuel Pipe Ø4.5 x Ø8.5 x 140 mm	1
3	122.190005.01	Rubber, Fore-Cover, A	1	43	122.070400.04	Fuel Valve	1
4	122.191100.00	Rotor Assembly, Cu, Ø95 x 85 mm	1	44	1.6177.1.08	Lock Nut M8, Flange	12
5	2.08.017	Flange Bolt M8 x 208	1	45	62337.2.2.2	Frame	1
6	122.191200.08	Stator Assembly, Cu, Ø160 x 85 mm	1	46	122.201200.00	Mount 2, Motor	2
7	122.191002.00	Cover, Stator	1	47	122.201200.01	Mount 1, Motor	2
8	122.190002.00	End Housing	1	48	122.201400.01	Rubber	4
9	2.08.050	Flange Bolt M6 x 133	4	49	1.62.06	Butterfly Type Nut M6	1
10	1.16674.0512.2	Flange Bolt M5x12	3	50	1.93.06.2	Lock Washer Ø6	1
11	122.190600.00	Rectifier	1	51	1.97.1.06.2	Washer Ø6	2
12	1.16674.0520	Flange Bolt M5x20	1	52	1.6177.1.06	Lock Nut M6, Flange	1
13	122.190400.00	Terminal Block	1	53	5.1900.026	Grounding Line 150 mm	1
14	1.5783.0516	Bolt M5 x 16	3	54	1.862.06	Lock Washer Ø6, Toothed	1
15	122.190200.00	AVR	1	55	122.210007.26	Control Box	1
16	1.16674.0516	Flange Bolt M5 x 16	2	56	1.5789.0615.1	Bolt M6 x 15, Black	4
17	122.190003.00.48	End Cover, Generator, Yellow	1	57	1.818.0514.2	Screw M5 x 14	1
18	1.9074.15.0520	Washer Assembly M5 x 20	1	58	5.1810.001	Over Voltage Protector	1
19	122.190004.01	Pinch, Carbon Brush	1	59	122.20.11.48	Control Panel, Yellow	1
20	122.190300.00	Carbon Brush Assembly	1	60	5.1000.004.3	Ignition Switch, Red	1
21	1.5789.0615	Flange Bolt M6 x 15	3	61	1.9074.4.0512.1	Screw/Washer Assembly M5 x 12, Black	5
22	27.100100.10	Bracket, Muffler	1	62	5.1400.003	Voltage Meter	1
23	1.823.0406	Screw M4 x 6	3	63	1.848.03.2	Washer Ø3	4
24	27.101300.00	Spark Arrester Assembly	1	64	1.859.03.2	Lock Washer Ø3	4
25	27.101000.01.2	Muffler Assembly	1	65	1.6175.03.2	Nut M3	4
26	1.6175.08	Nut M8	2	66	5.1240.091	Double Pole Circuit Breaker	1
27	1.93.08	Lock Washer Ø8	2	67	5.1120.009	Receptacle L14-30R	1
28	1.848.08	Washer Ø8	2	68	5.1120.008	Receptacle L5-30R	1
29	21.100001.00	Gasket, Exhaust	1	69	1.6177.1.04.1	Nut M4	6
30	1.5789.0608	Flange Bolt M6 x 8	1	70	5.1120.010	Receptacle 5-20R, Duplex	1
31	23.090006.21	Holder, Air Cleaner	1	71	5.1200.110	10Amp Circuit Breaker, Push Button	1
32	122.071000.45.48	Fuel Tank, Yellow	1	72	5.1110.001	Receptacle	1
33	1.93.06	Lock Washer Ø6	4	73	CPG2500.21.10	Wire Assembly	1
34	122.070015.01	Mount Vibration, Fuel Tank	4	74	122.210003.01	Wire Jacket, Control Box	1
35	2.03.004.1	Washer Ø24 x Ø6.5 x 1.5, Black	4	75	5.1330.001	Sheath, Wire	1
36	1.5789.0620.1	Flange Bolt M6 x 20, Black	4	76	122.210003.03	Plug, End Cover	1
37	122.070300.02	Fuel Filter, Fuel Tank	1	77	CPG2500.21	Control Panel Assembly	1
38	122.070100.02	Cap, Fuel Tank	1				
39	1.819.0510	Screw M5x10	2				
40	122.072000.01	Fuel Meter Assembly	1				

CPG3500 (EU) PARTS DIAGRAM

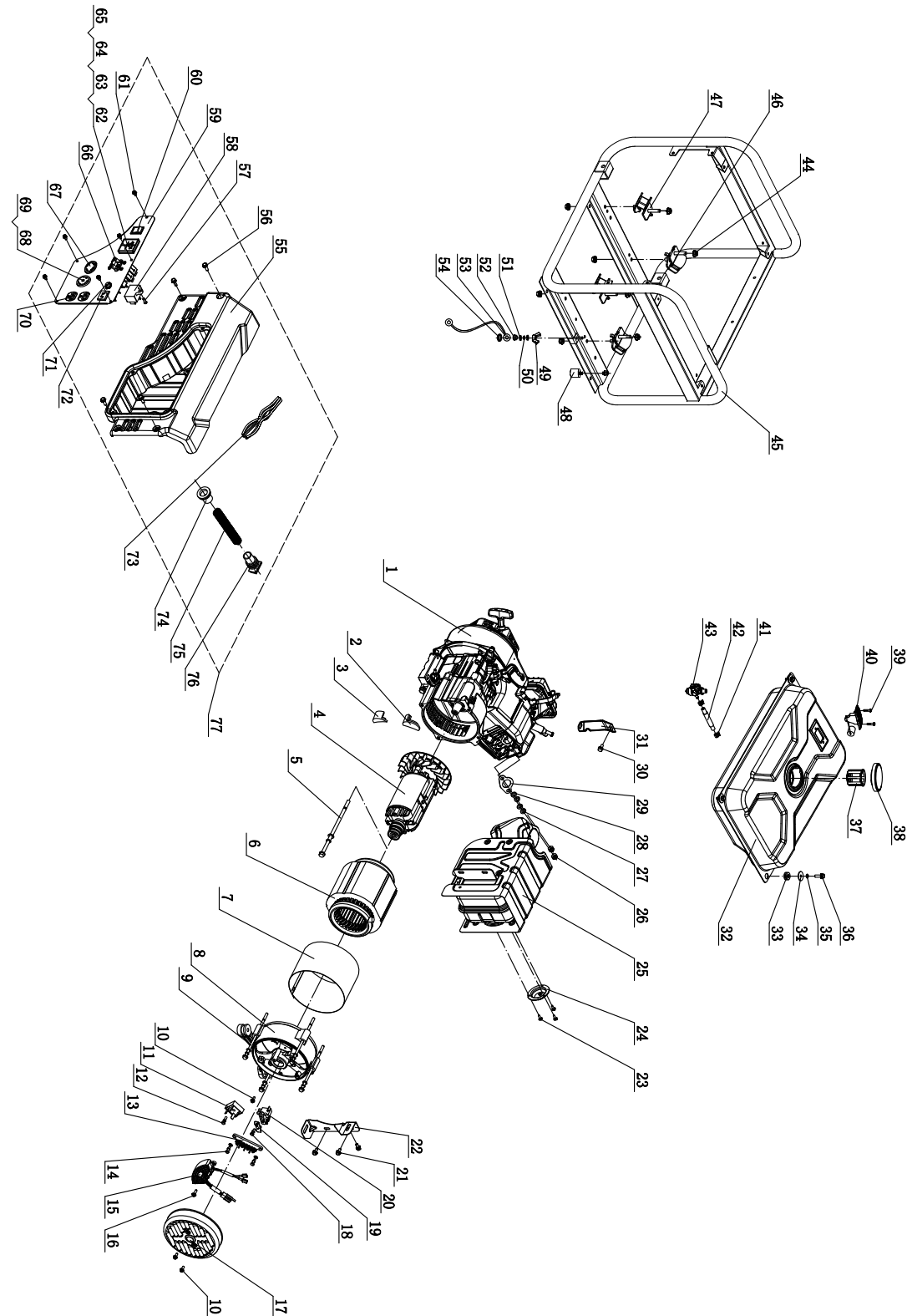


CPG3500 (EU) PARTS LIST

No.	Part Number	Description	Qty.
1	1.5789.0608	Flange Bolt M6 x 8	5
2	22.061100.00.2	Cover, Recoil Starter, Black	1
3	21.061005.00	Spring, Recoil Starter	1
4	2.10.003	Rope Ø5 x 1550	1
5	21.061001.01	Reel, Recoil Starter	1
6	45.060003.00	Spring, Ratchet	2
7	45.060002.00	Starter Ratchet, Steel	2
8	45.060009.00	Spring, Ratchet Guide	1
9	45.060007.00	Ratchet Guide	1
10	45.060008.00	Screw, Ratchet Guide	1
11	24.040004.00	Guide Plate, Push Rod	1
12	1.5789.0612	Flange Bolt M6 x 12	8
13	24.080100.01.48	Fan Cover, Yellow	1
14	24.091100.20	Base, Air Cleaner	1
15	21.061300.00	Handle, Recoil, Soft	1
16	24.130004.20	Gasket, Air Cleaner	1
17	22.061000.00	Recoil Assembly	1
18	24.091000.20	Air Cleaner Assembly	1
19	26.131000.20 26.131000.21	Carburetor	1
20	2.03.016	Washer Ø10 x Ø16 x 1.5, Drain Bolt	2
21	2.02.006	Nut M14 x 1.5	1
22	21.060001.01	Pulley, Starter	1
23	23.080001.00	Cooling Fan	1
24	24.120100.06	Flywheel	1
25	2.11.001	Oil Seal Ø25 x Ø41.3 x 6	2
26	2.03.020.1	Washer Ø6.2 x Ø15 x 0.5, Black	2
27	21.110100.00	Gear, Governor	1
28	23.130100.20	Choke Lever	1
29	21.110013.00	Shaft, Governor Gear	1
30	21.110011.00	Clip, Governor Gear	1
31	22.130003.00	Gasket, Carburetor	1
32	21.110012.01	Bushing, Governor Gear, Steel	1
33	24.130002.00	Gasket, Insulator	1
34	23.130001.00	Insulator, Carburetor	1
35	23.080600.00	Air Guide, Right Side	1
36	2.01.003	Stud Bolt M6 x 90	2
37	26.030100.00	Crankcase	1
38	21.127000.02	Oil Level Sensor	1
39	26.010100.00	Cylinder Head	1
40	23.050200.00	Connecting Rod	1
41	25.050100.11	Crankshaft	1
42	1.276.6205	Bearing 6205	2
43	24.030008.00	Gasket, Crankcase Cover	1
44	22.031000.00.48	Oil Dipstick Assembly, Yellow	1
45	2.03.021.1	Washer Ø6.4 x Ø13 x 1, Black	1
46	23.030007.01	Cover, Crankcase	1
47	1.5789.0832.0.8	Flange Bolt M8 x 32	6
48	23.091002.21	Seal, Air Cleaner	1
49	23.110006.00	Rod, Governor	1
50	21.110003.00	Arm, Governor	1
51	1.6177.06	Flange Nut M6	3

No.	Part Number	Description	Qty.
52	21.110001.00	Shaft, Governor Arm	1
53	22.123000.01	Ignition Coil, Silicon Rubber	1
54	1.5789.0625	Flange Bolt M6 x 25	2
55	23.110005.01	Spring, Throttle Return	1
56	23.110007.00	Spring, Governor	1
57	2.08.040	Bolt M6 x 21, Governor Arm	1
58	21.110008.00	Pin, Shaft	1
59	23.111000.20	Control Assembly	1
60	25.040013.00	Lifter, Valve	2
61	2.04.001	Dowel Pin Ø9 x 14	2
62	26.041000.00	Camshaft	1
63	2.14.012	Woodruff Key 4 x 7.5 x 19	1
64	2.08.037	Drain Bolt M10 x 1.25 x 25	2
65	26.050005.00	Piston	1
66	23.050003.00	Pin, Piston	1
67	2.09.001	Circlip Ø18 x Ø1	2
68	26.050303.00	Ring, Oil	1
69	26.050302.00	Ring, Second Piston	1
70	26.050301.00	Ring, First Piston	1
71	26.030009.00	Gasket, Cylinder Head	1
72	2.04.003	Dowel Pin Ø10 x 14	2
73	23.040002.00	Valve, Intake	1
74	23.040006.00	Valve, Exhaust	1
75	26.080400.00	Air Guide, Lower	1
76	2.15.001(F6TC)	Spark Plug F6TC	1
77	1.5789.0860	Flange Bolt M8 x 60	4
78	23.040017.00	Oil Seal, Valve, Iron	2
79	21.040003.00	Spring, Valve	2
80	21.040007.00	Retainer, Exhaust Valve Spring	1
81	21.040001.00	Retainer, Intake Valve Spring	1
82	21.040008.00	Rotator, Exhaust Valve	1
83	24.040202.00	Shaft, Rocker Arm	1
84	22.040009.00	Rocker Arm, Intake Valve	2
85	22.040012.00	Screw, Valve Adjustment	2
86	21.040021.00	Nut M6 x 0.5, Lock	2
87	1.97.1.06	Washer Ø6	2
88	1.6177.1.06	Flange Nut M6	2
89	26.131017.20 26.131017.20.01	Main Jet, Standard Main Jet, Altitude	1 /
90	24.040201.00	Retainer, Rocker Arm	1
91	23.040010.00	Bolt, Rocker Arm	2
92	23.040005.00	Push Rod	2
93	21.020002.01	Gasket, Cylinder Head Cover	1
94	24.021000.00	Cover, Cylinder Head	1
95	23.020001.02	Breather Tube	1
96	1.5789.0615	Flange Bolt M6 x 15	4
97	2.01.010	Stud Bolt M8 x 35	2
98	1.5789.0620	Flange Bolt M6 x 20	1
99	24.091200.20	Cover, Air Cleaner	1
100	23.091003.21	Element, Air Cleaner	1
101	23.091001.21	Separator, Air Cleaner	1

CPG3500 (EU) PARTS DIAGRAM

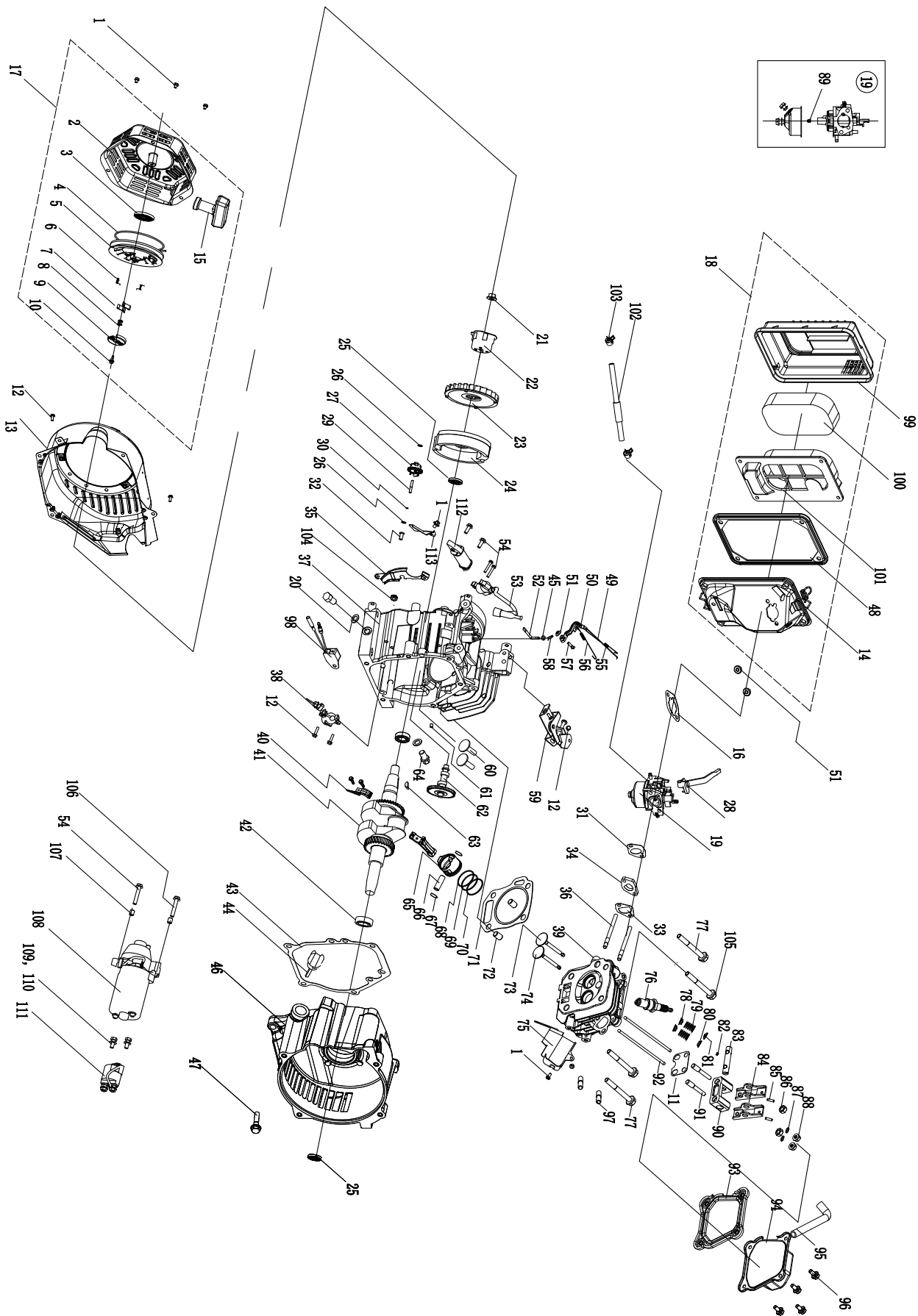


CPG3500 (EU) PARTS LIST

No	Part Number	Description	QTY
1	CPG3500	Engine	1
2	122.190005.00	Rubber, Fore-Cover, B	1
3	122.190005.01	Rubber, Fore-Cover, A	1
4	123.191100.04	Rotor Assembly, Cu, Ø160 x 110 mm	1
5	2.08.021	Flange Bolt M8 x 233	1
6	123.191200.04	Stator Assembly, Cu, Ø160 x 110 mm	1
7	122.191002.00	Cover, Stator	1
8	122.190002.00	End Housing	1
9	2.08.020	Flange Bolt M6 x 158	4
10	1.16674.0512.2	Flange Bolt M5x12	3
11	122.190600.00	Rectifier	1
12	1.16674.0520	Flange Bolt M5x20	1
13	122.190400.00	Terminal Block	1
14	1.5783.0516	Bolt M5 x 16	3
15	122.190200.00	AVR	1
16	1.16674.0516	Flange Bolt M5 x 16	2
17	122.190003.00.48	End Cover, Generator, Yellow	1
18	1.9074.15.0520	Washer Assembly M5 x 20	1
19	122.190004.01	Pinch, Carbon Brush	1
20	122.190300.00	Carbon Brush Assembly	1
21	1.5789.0615	Flange Bolt M6 x 15	3
22	27.100100.10	Bracket, Muffler	1
23	1.823.0406	Screw M4 x 6	3
24	27.101300.00	Spark Arrester Assembly	1
25	27.101000.01.2	Muffler Assembly	1
26	1.6175.08	Nut M8	2
27	1.93.08	Lock Washer Ø8	2
28	1.848.08	Washer Ø8	2
29	21.100001.00	Gasket, Exhaust	1
30	1.5789.0608	Flange Bolt M6 x 8	1
31	23.090006.21	Holder, Air Cleaner	1
32	122.071000.45.48	Fuel Tank, Yellow	1
33	1.93.06	Lock Washer Ø6	4
34	122.070015.01	Mount Vibration, Fuel Tank	4
35	2.03.004.1	Washer Ø24 x Ø6.5 x 1.5, Black	4
36	1.5789.0620.1	Flange Bolt M6 x 20, Black	4
37	122.070300.02	Fuel Filter, Fuel Tank	1
38	122.070100.02	Cap, Fuel Tank	1
39	1.819.0510	Screw M5x10	2

No	Part Number	Description	QTY
40	122.072000.01	Fuel Meter Assembly	1
41	2.06.007	Clamp Ø8 x b6	2
42	122.070011.04	Fuel Pipe Ø4.5 x Ø8.5 x 140 mm	1
43	122.070400.04	Fuel Valve	1
44	1.6177.1.08	Lock Nut M8, Flange	12
45	62337.2.5.2	Frame	1
46	122.201200.00	Mount 2, Motor	2
47	122.201200.01	Mount 1, Motor	2
48	122.201400.01	Rubber	4
49	1.62.06	Butterfly Type Nut M6	1
50	1.93.06.2	Lock Washer Ø6	1
51	1.97.1.06.2	Washer Ø6	2
52	1.6177.1.06	Lock Nut M6, Flange	1
53	5.1900.026	Grounding Line 150 mm	1
54	1.862.06	Lock Washer Ø6, Toothed	1
55	122.210007.26	Control Box	1
56	1.5789.0615.1	Bolt M6 x 15, Black	4
57	1.818.0514.2	Screw M5 x 14	1
58	5.1810.001	Over Voltage Protector	1
59	122.20.11.48	Control Panel, Yellow	1
60	5.1000.004.3	Ignition Switch, Red	1
61	1.9074.4.0512.1	Screw/Washer Assembly M5 x 12, Black	5
62	5.1400.003	Voltage Meter	1
63	1.848.03.2	Washer Ø3	4
64	1.859.03.2	Lock Washer Ø3	4
65	1.6175.03.2	Nut M3	4
66	5.1240.117	Double Pole Circuit Breaker	1
67	5.1120.009	Receptacle L14-30R	1
68	5.1120.008	Receptacle L5-30R	1
69	1.6177.1.04.1	Nut M4	6
70	5.1120.010	Receptacle 5-20R, Duplex	1
71	5.1200.110	10Amp Circuit Breaker, Push Button	1
72	5.1110.001	Receptacle	1
73	CPG3500.21.10	Wire Assembly	1
74	122.210003.01	Wire Jacket, Control Box	1
75	5.1330.001	Sheath, Wire	1
76	122.210003.03	Plug, End Cover	1
77	CPG3500.21	Control Panel Assembly	1

CPG4000 E1 (EU) PARTS DIAGRAM

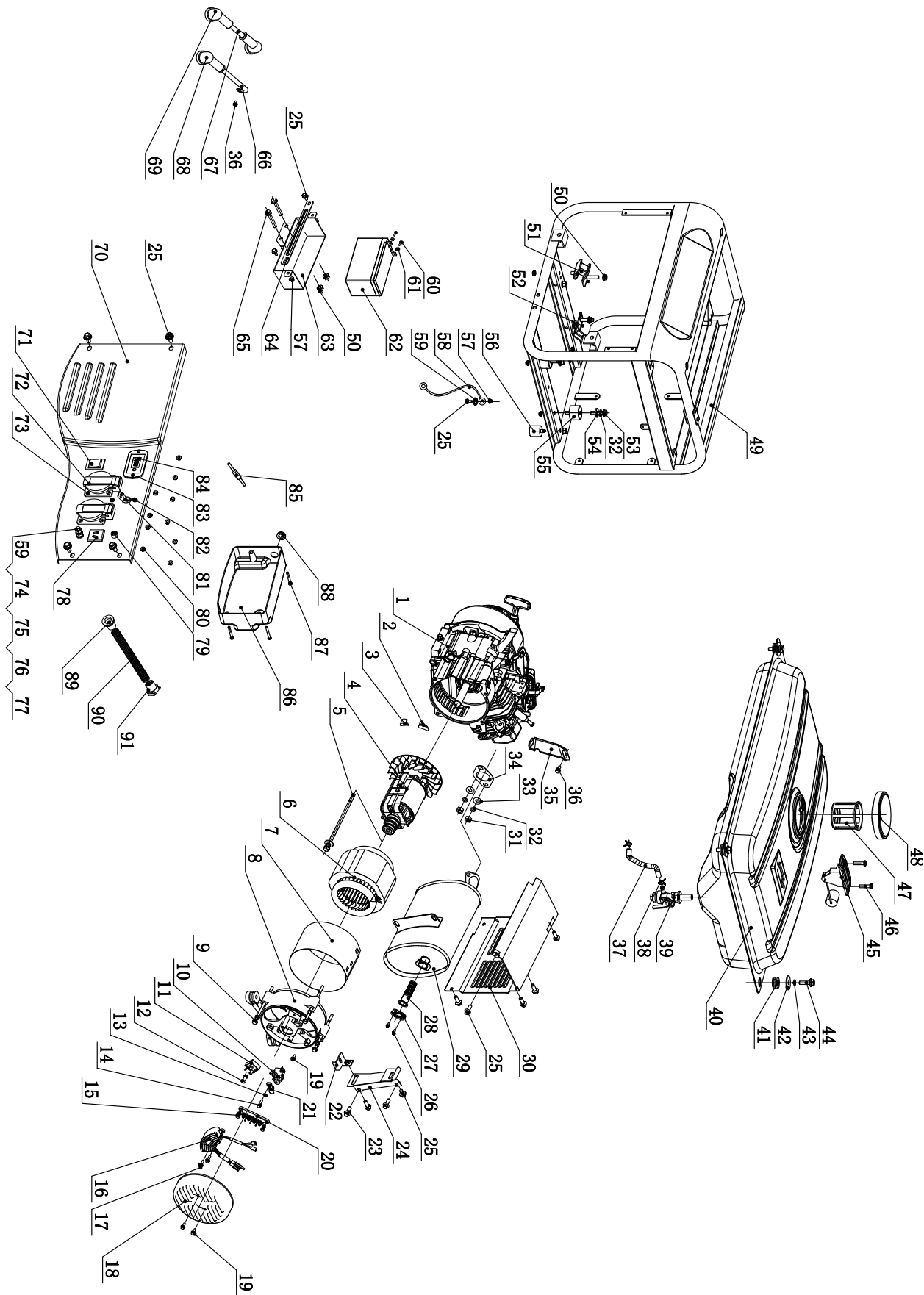


CPG4000 E1 (EU) PARTS LIST

No.	Part Number	Description	Qty
1	1.5789.0608	Flange Bolt M6 × 8	6
2	22.061100.00.2	Cover, Recoil Starter, Black	1
3	21.061005.00	Spring, Recoil Starter	1
4	2.10.003	Rope Ø5 × 1550	1
5	21.061001.01	Reel, Recoil Starter	1
6	45.060003.00	Spring, Ratchet	2
7	45.060002.00	Starter Ratchet, Steel	2
8	45.060009.00	Spring, Ratchet Guide	1
9	45.060007.00	Ratchet Guide	1
10	45.060008.00	Screw, Ratchet Guide	1
11	24.040004.00	Guide Plate, Push Rod	1
12	1.5789.0612	Flange Bolt M6 × 12	8
13	27.080100.01.48	Fan Cover, Yellow	1
14	24.091100.20	Base, Air Cleaner	1
15	21.061300.00	Handle, Recoil, Soft	1
16	24.130004.20	Gasket, Air Cleaner	1
17	22.061000.00	Recoil Assembly	1
18	27.091000.01	Air Cleaner Assembly	1
19	27.131000.01 27.131000.06	Carburetor	1
20	2.03.016	Washer Ø10 × Ø16 × 1.5, Drain Bolt	2
21	2.02.006	Nut M14 × 1.5	1
22	83.060001.01	Pulley, Starter	1
23	27.080001.00	Cooling Fan	1
24	24.120100.07	Flywheel	1
25	2.11.001	Oil Seal Ø25 × Ø41.3 × 6	2
26	2.03.020.1	Washer Ø6.2 × Ø15 × 0.5, Black	2
27	21.110100.00	Gear, Governor	1
28	23.130100.20	Choke Lever	1
29	21.110013.00	Shaft, Governor Gear	1
30	21.110011.00	Clip, Governor Gear	1
31	22.130003.00	Gasket, Carburetor	1
32	21.110012.01	Bushing, Governor Gear, Steel	1
33	24.130002.00	Gasket, Insulator	1
34	27.130001.00	Insulator, Carburetor	1
35	27.080600.01	Air Guide, Right Side	1
36	2.01.003	Stud Bolt M6 × 90	2
37	27.030100.00	Crankcase	1
38	21.127000.02	Oil Level Sensor	1
39	26.010100.01	Cylinder Head, 224cc	1
40	27.050200.00	Connecting Rod	1
41	27.050100.00	Crankshaft	1
42	1.276.6205	Bearing 6205	2
43	24.030008.00	Gasket, Crankcase Cover	1
44	46.031000.00	Oil Dipstick Assembly, Black	1
45	2.03.021.1	Washer Ø6.4 × Ø13 × 1, Black	1
46	23.030007.01	Cover, Crankcase	1
47	1.5789.0832.0.8	Flange Bolt M8 × 32	6
48	23.091002.21	Seal, Air Cleaner	1
49	23.110006.00	Rod, Governor	1
50	27.110003.00	Arm, Governor	1
51	1.6177.06	Flange Nut M6	3
52	21.110001.00	Shaft, Governor Arm	1
53	22.123000.01	Ignition Coil, Silicon Rubber	1
54	1.5789.0625	Flange Bolt M6 × 25	5
55	23.110005.01	Spring, Throttle Return	1
56	23.110007.00	Spring, Governor	1
57	2.08.040	Bolt M6 × 21, Governor Arm	1

No.	Part Number	Description	Qty
58	21.110008.00	Pin, Shaft	1
59	27.111000.20	Control Assembly	1
60	25.040013.00	Lifter, Valve	2
61	2.04.001	Dowel Pin Ø9 × 14	2
62	27.041000.00	Camshaft	1
63	2.14.012	Woodruff Key 4 × 7.5 × 19	1
64	2.08.037	Drain Bolt M10 × 1.25 × 25	2
65	27.050005.00	Piston	1
66	23.050003.00	Pin, Piston	1
67	2.09.001	Circlip Ø18 × Ø1	2
68	27.050303.00	Ring, Oil	1
69	27.050302.00	Ring, Second Piston	1
70	27.050301.00	Ring, First Piston	1
71	27.030009.01	Gasket, Cylinder Head	1
72	2.04.003	Dowel Pin Ø10 × 14	2
73	23.040002.02	Valve, Intake	1
74	23.040006.02	Valve, Exhaust	1
75	26.080400.00	Air Guide, Lower	1
76	2.15.001(F6TC)	Spark Plug F6TC	1
77	1.5789.0865	Flange Bolt M8 × 65	3
78	23.040017.00	Oil Seal, Valve, Iron	2
79	21.040003.00	Spring, Valve	2
80	21.040007.00	Retainer, Exhaust Valve Spring	1
81	21.040001.00	Retainer, Intake Valve Spring	1
82	21.040008.00	Rotator, Exhaust Valve	1
83	24.040202.00	Shaft, Rocker Arm	1
84	22.040009.00	Rocker Arm, Intake Valve	2
85	22.040012.00	Screw, Valve Adjustment	2
86	21.040021.00	Nut M6 × 0.5, Lock	2
87	1.97.1.06	Washer Ø6	2
88	1.6177.1.06	Flange Nut M6	2
89	27.131017.01 27.131017.01.01	Main Jet, Standard Main Jet, Altitude	1 /
90	24.040201.00	Retainer, Rocker Arm	1
91	23.040010.00	Bolt, Rocker Arm	2
92	27.040005.00	Push Rod	2
93	21.020002.01	Gasket, Cylinder Head Cover	1
94	24.021000.00	Cover, Cylinder Head	1
95	23.020001.02	Breather Tube	1
96	1.5789.0615	Flange Bolt M6 × 15	4
97	2.01.010	Stud Bolt M8 × 35	2
98	21.120400.00	Diode Comp	1
99	27.091200.01	Cover, Air Cleaner	1
100	23.091003.21	Element, Air Cleaner	1
101	23.091001.21	Separator, Air Cleaner	1
102	122.070011.04	Pipe, Fuel 140	1
103	2.06.007	Clamp Ø8 × b6	2
104	152.070031.01	Sheath, Wire	1
105	2.08.121	Flange Bolt M10 × 65	1
106	1.5789.0629	Flange Bolt M6 × 29	1
107	2.04.005	Dowel Pin, Ø8 × 10	2
108	27.125100.00	Starter Motor Assembly	1
109	1.93.05	Lock Washer Ø5	2
110	1.16674.0516	Flange Bolt M5 × 16	2
111	23.125200.03	Relay, Starter	1
112	45.121000.00	Coil, Charging	1
113	23.030006.00	Plate, Coil	1

CPG4000 E1 (EU) PARTS DIAGRAM

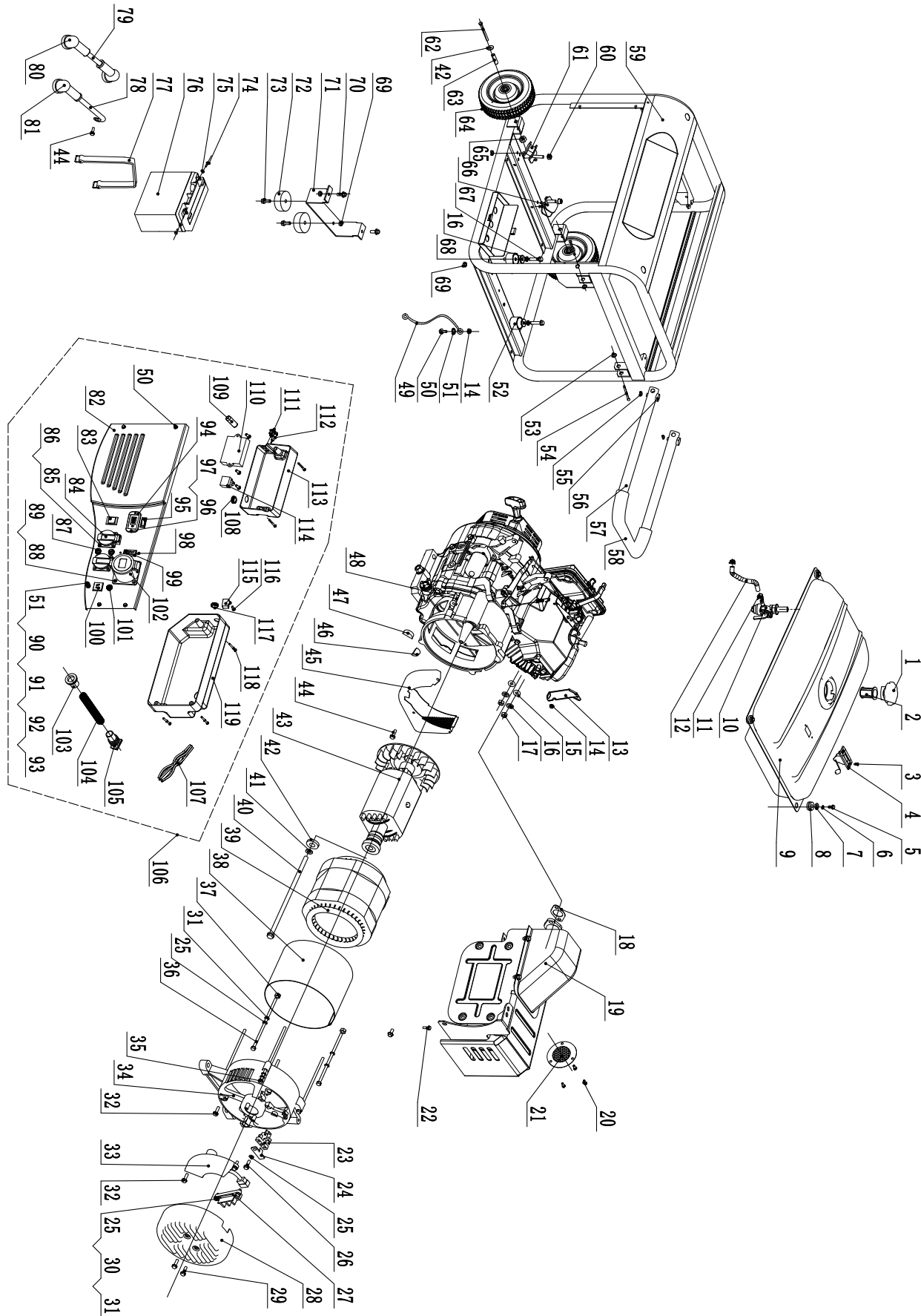


CPG4000 E1 (EU) PARTS LIST

No	Part Number	Description	QTY
1	CPG4000E1-EU	Engine	1
2	122.190005.00	Rubber, Fore-Cover, B	1
3	122.190005.01	Rubber, Fore-Cover, A	1
4	124.191100.00	Rotor Assembly	1
5	2.08.022	Flange Bolt M8 x 242	1
6	124.191200.00	Stator Assembly	1
7	123.191002.00	Stator Cover	1
8	122.190002.00	End Housing	1
9	2.08.065	Flange Bolt M6 x 168	4
10	122.190300.00	Carbon Brush Assembly	1
11	122.190600.00	Diode Assembly	1
12	1.5783.0520	Bolt M5 x 20	1
13	1.93.05	Spring Washer φ5	2
14	1.5783.0516	Bolt M5 x 16	1
15	1.9074.17.0516	Screw/Washer Assembly M5 x 16	2
16	122.190200.00	AVR	1
17	1.16674.0516	Flange Bolt M5 x 16	2
18	122.190003.00.48	Generator End Cover Yellow	1
19	1.16674.0512.2	Flange Bolt M5 x 12	3
20	122.190400.00	Terminal Block	1
21	122.190004.01	Pinch	1
22	122.190018.00	Bracket,Muffler	1
23	1.16674.0820	Flange Bolt M8 x 20	3
24	122.190018.01	Bracket,Muffler	1
25	1.5789.0612	Flange Bolt M6 x 12	13
26	1.9074.4.0514	Screw And Washer Assembly M5 x 14	2
27	46.101503.08	Plate, Spark Arrester	1
28	46.101300.08	Spark Arrester Assembly	1
29	26.101000.00	Muffler	1
30	23.102000.03.2	Muffler Cover	1
31	1.6175.08	Nut M8	2
32	1.93.08	Spring Washer φ8	4
33	1.848.08	Washer φ8	2
34	21.100001.00	Muffler Gasket	1
35	23.090006.21	Holder,Air Cleaner	1
36	1.5789.0608	Flange Bolt M6 x 8	4
37	122.070011.05	Pipe,Fuel(5.5in)	1
38	2.06.007	Clamp	2
39	122.070400.03	Fuel Cock	1
40	122.071000.06.48	Fuel Tank Yellow	1
41	122.070015.01	Mount Vibration, Fuel Tank	4
42	2.03.004	Washer φ6	4
43	1.93.06	Spring Washer φ6	4
44	1.5789.0620.2	Flange Bolt M6 x 20	4
45	122.072000.02	Fuel Meter Assembly	1
46	1.819.0510	Screw M5 x 10	2

No	Part Number	Description	QTY
47	122.070300.02	Fuel Filter	1
48	122.070100.03	Fuel Tank Cap	1
49	62294.2.15.2	Frame	1
50	1.6177.1.08	Nut M8	12
51	122.201200.01	Motor Mount 1	1
52	122.201200.00	Motor Mount 2	1
53	1.5789.0835	Flange Bolt M8 x 35	2
54	1.96.08	Big Whashe φ8	2
55	152.201200.00	Motor Mount	2
56	122.201400.01	Rubber	4
57	1.6177.1.06	Nut M6	3
58	5.1900.026	Grounding Line	1
59	1.862.06	Lock Washer φ6	2
60	1.9074.3.0510	Bolt And Washer Assembly M5 x 10	2
61	1.6177.1.05	Flange Lock Nut M5	2
62	9.1000.075	Battery 12V 7.5AH	1
63	122.200901.02	Supporter,Battery	1
64	122.200902.01	Lock,Battery	1
65	1.5789.0845	Flange Bolt M8 x 45	2
66	5.1900.009	Black Wire,Battery	1
67	5.1900.010	Red Wire,Battery	1
68	152.200013.01.3	Jacket, Red	2
69	152.200013.01	Jacket, Black	1
70	122.159.9.2	Control Panel	1
71	5.1000.001.3	Switch	1
72	5.1120.013.1	Receptacle	2
73	1.819.0414.2	Screw M4 x 14	8
74	1.5783.0622.2	Bolt M6 x 22	1
75	1.6175.06.2	Nut M6	2
76	1.93.06.2	Spring Washer φ6	2
77	1.97.1.06.2	Washer φ6	2
78	5.1110.001	Receptacle (DC.12V)	1
79	5.1200.110.1	AC.10A Breaker	1
80	1.6177.1.04.2	Flange Nut M4	10
81	5.1220.130	AC.13A Breaker	1
82	1.9074.4.0306.2	Bolt and Washer Assembly M3 x 6	2
83	1.9074.4.0414.2	Bolt and Washer Assembly M4 x 14	2
84	5.1430.002	Intelligauge	1
85	5.1800.002	Rectifier	1
86	122.210002.14	Control Box	1
87	1.9074.1.0538.2	Bolt and Washer Assembly M5 x 38	3
88	122.210003.00	sheath,wire	1
89	122.210003.01	Plug, Control Box	1
90	5.1330.214	Plug	1
91	122.210003.03	Plug, End Cover	1

CPG6500 E2 (EU) PARTS DIAGRAM

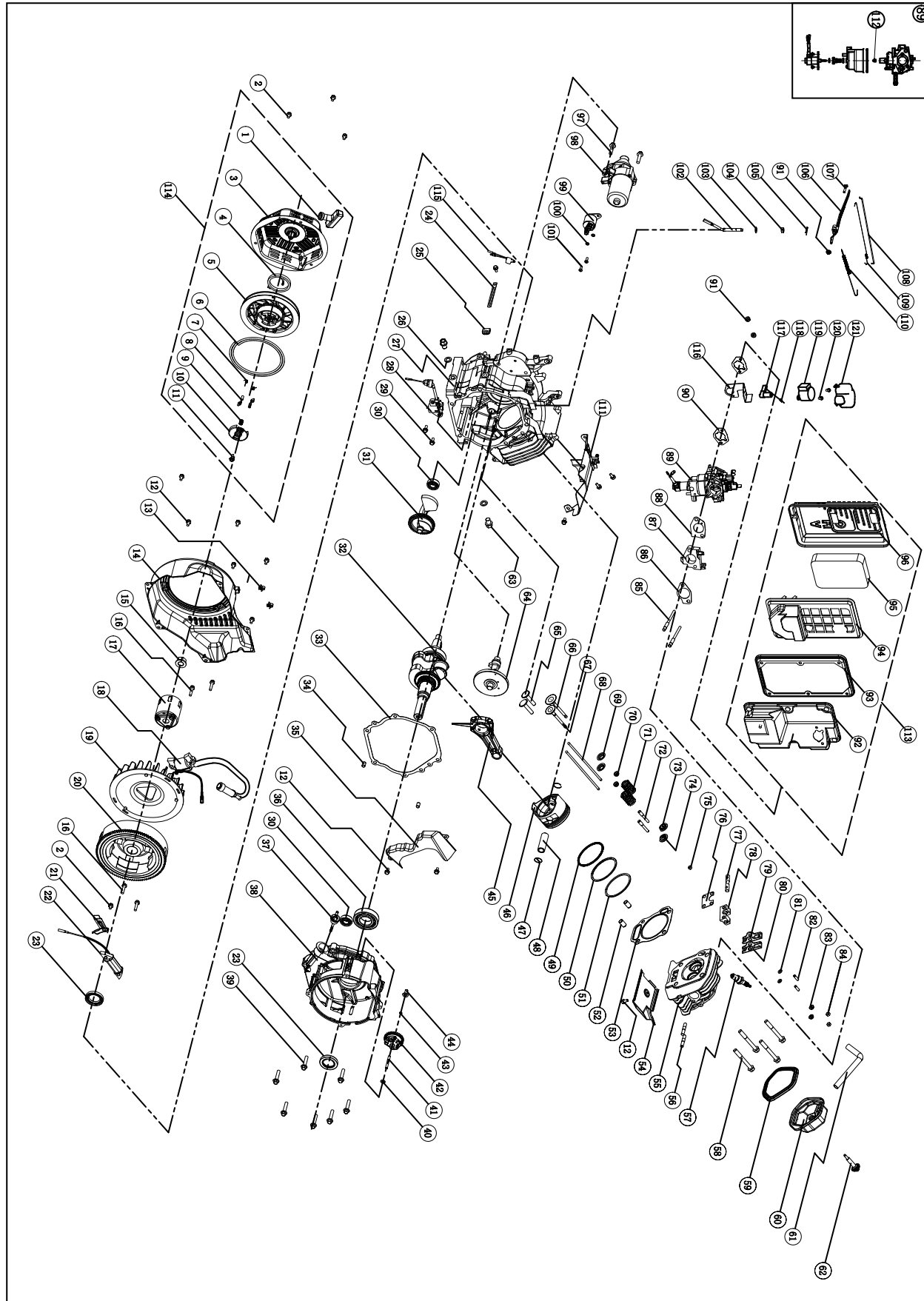


CPG6500 E2 (EU) PARTS LIST

No	Part Number	Description	QTY
1	122.070100.03	Fuel Tank Cap	1
2	122.070300.02	Fuel Filter	1
3	1.819.0510	Screw M5 x 10	2
4	152.072000.03	Fuel Meter Assembly	1
5	1.5789.0620.2	Flange Bolt M6 x 20	4
6	1.93.06	Spring Washer Φ 6	4
7	2.03.004	Washer Φ 6	4
8	122.070015.01	Mount Vibration, Fuel Tank	4
9	152.071000.03.48	Fuel Tank	1
10	122.070400.03	Fuel Cock	1
11	2.06.007	Clamp	2
12	152.070011.06	Pipe, Fuel 170 mm	1
13	45.090006.20	Holder, Air Cleaner	1
14	1.6177.1.06	Nut M 6	2
15	1.848.08	Washer Φ 8	2
16	1.93.08	Spring Washer Φ 8	4
17	1.6175.08	Nut M8	2
18	46.100001.07	Muffler Gasket	1
19	46.101000.01.2	Muffler Assembly	1
20	1.9074.4.0510	Bolt And Washer Assembly M5 x 10	3
21	46.101300.00	Arrester Assembly, Spark	1
22	1.16674.0825	Flange Bolt M8x25	2
23	152.190300.00	Carbon Bursh Assembly	1
24	122.190004.01	Pinch	1
25	1.93.05	Spring Washer Φ 5	5
26	1.5783.0520	Bolt M5 x 20	1
27	122.190400.00	Terminal Block	1
28	152.190003.00.48	Generator End Cover	1
29	1.16674.0512.2	Flange Bolt M5 x 12	2
30	1.5783.0516	Bolt M5 x 16	2
31	1.97.1.05	Washer Φ 5	4
32	1.16674.0516	Flange Bolt M5 x 16	3
33	153.190200.05	AVR	1
34	152.190002.00	End Housing	1
35	2.08.032	Flange Bolt M6 x 179	4
36	2.08.035	Bolt M5 x 214	2
37	1.6175.05	Nut M5	2
38	152.191002.00	Stator Cover	1
39	152.191200.00	Stator Assembly	1
40	2.08.034	Flange Bolt M10 x 265	1
41	1.7244.10	Spring Washer Φ 10	1
42	1.96.10	Washer Φ 10	3
43	152.191100.00	Rotor Assembly	1
44	1.5789.0608	Flange Bolt M6 x 8	3
45	152.192300.00	Air Guide	1
46	152.190005.00	Rubber, Fore-Cover	1
47	152.190005.01	Rubber, Fore-Cover	1
48	CPG6500E2-EU	Engine	1
49	5.1900.026	Grounding Line	1
50	1.5789.0612	Flange Bolt M6 x 12	5
51	1.862.06	Lock Washer Φ 6	2
52	152.201200.00	Motor Mount	2
53	1.894.1.10	Circlip Φ 10	2
54	152.200703.04	Pin, Handle	2
55	1.894.1.08	Circlip Φ8	2
56	152.200703.02	Pin, Handle	2
57	152.200701.02.2	Handle	1
58	152.200702.02	Cover, Handle	1
59	65212.0.5.2	Frame	1
60	1.6177.1.10	Nut M10	2

No	Part Number	Description	QTY
61	152.201200.01	Motor Mount	1
62	1.5182.10120	Bolt M10 x 120	2
63	253.200016.00	Bush Φ 16 x Φ 10.5 x 69.5	2
64	152.201701.04.48	10 in Wheel	2
65	1.6182.10	Nut M10	2
66	152.201200.02	Motor Mount	1
67	1.5789.0835	Flange Bolt M8 x 35	2
68	1.96.08	Washer Φ 8	2
69	1.6177.1.08	Nut M8	8
70	1.5789.0816	Flange Bolt M8 x 16	2
71	152.200002.01.2	Support Leg	1
72	152.201400.00	Rubber, Support	2
73	1.5789.0825	Flange Bolt M8 x 25	2
74	1.9074.3.0510	Bolt And Washer Assembly M5 x 10	2
75	1.6177.1.05	Nut M5	2
76	9.1000.150	Battery 12V15 AH	1
77	152.200904.00	Pinch, Rubber	1
78	5.1900.025	Black Wire, Battery	1
79	5.1900.024	Red Wire, Battery	1
80	152.200013.01.3	Jacket, Red	2
81	152.200013.01	Jacket, Black	1
82	152.159.049.2	Control Panel	1
83	5.1000.001.3	Switch	1
84	5.1120.013	Receptacle	2
85	1.819.0414.2	Bolt and Washer Assembly M4 x 14	8
86	1.6177.1.04.2	Nut M4	8
87	5.1210.920	20Amp Circuit Breaker, Push Button	2
88	1.819.0516.2	Bolt and Washer Assembly M5 x 16	4
89	1.6177.1.05.2	Nut M5	4
90	1.5783.0622.3	Bolt M6 x 22	1
91	1.6175.06.3	Nut M6	2
92	1.93.06.3	Spring Washer Φ6	2
93	1.97.1.06.3	Washer Ø6, Green	2
94	5.1430.002	Intelligauge	1
95	5.1000.000.3	Switch	1
96	1.9074.4.0414.2	Screw And Washer Assembly M4 x 14	2
97	1.6177.1.04.2	Flange Lock Nut M4	2
98	1.9074.4.0306.2	Bolt M3 x 6	2
99	5.1230.217	21.7Amp Circuit Breaker	1
100	5.1110.001	Receptacle	1
101	5.1200.110.1	Breaker	1
102	5.1120.014	Receptacle	1
103	122.210003.01	Plug	1
104	5.1330.007	Sheath, Wire	1
105	152.210003.02	Plug	1
106	CPG6500E2-EU.21	Control Panel Assembly	1
107	CPG6500E2-EU.21.10	Wire Assembly	1
108	122.210003.00	Plug	1
109	5.1280.003	Fuse(10A)	1
110	5.1830.001	Remote Control Module	1
111	5.1040.004	Switch	1
112	5.1460.003	Indicator light	1
113	152.210002.11	Control Box	1
114	5.1820.000	Charger	1
115	5.1800.000	Rectifier	1
116	1.823.0514.2	Screw M5 x 14	4
117	122.210003.00	Plug	1
118	1.9074.1.0538.2	Bolt and Washer Assembly M5 x 38	5
119	152.210002.09	Control Box	1

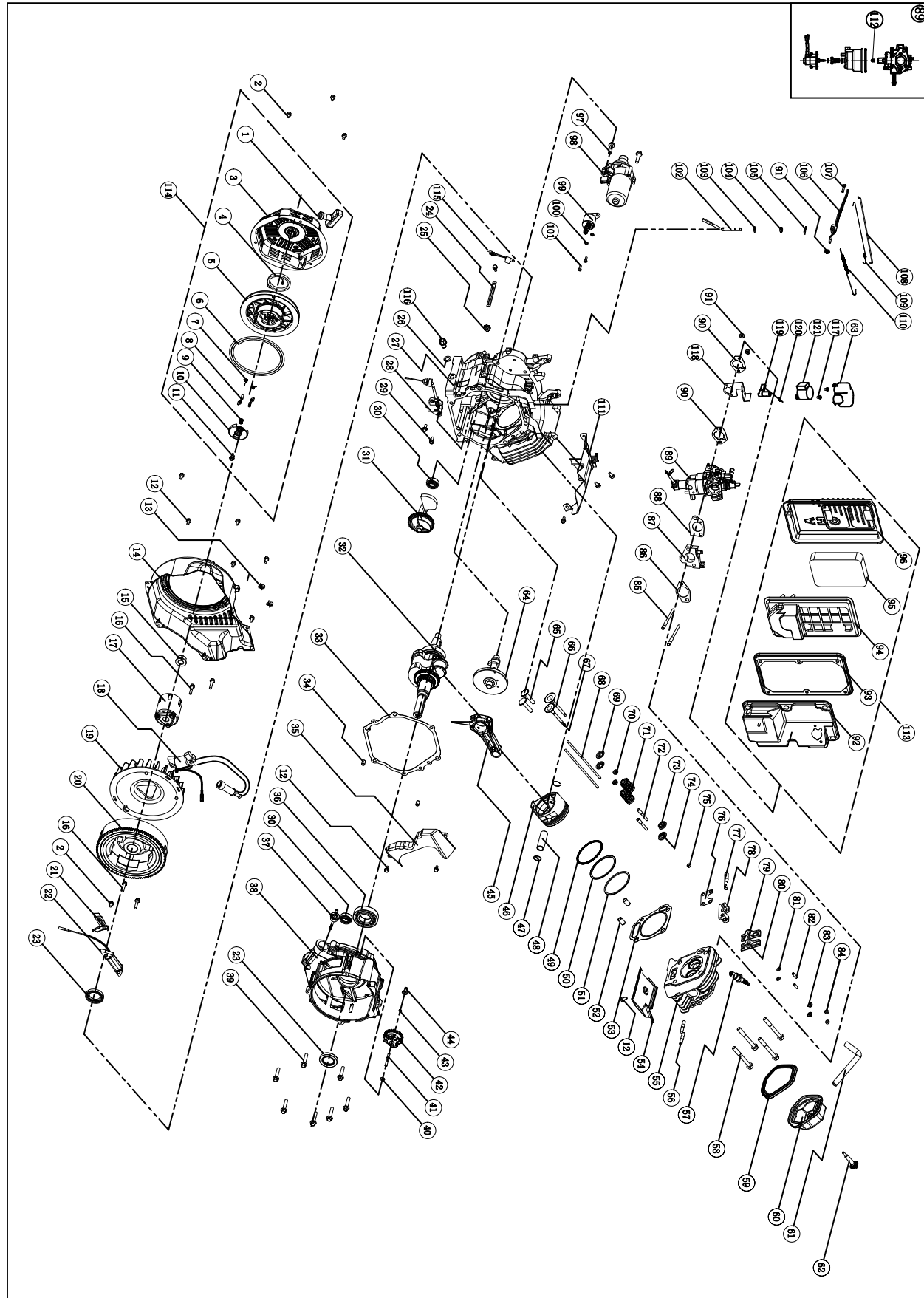
CPG6500 E2 (EU) PARTS DIAGRAM



CPG6500 E2 (EU) PARTS LIST

No.	Alias	Description	Qty.	No.	Alias	Description	Qty.
1	21.061300.00	Handle, Recoil, Soft	1	62	45.020100.00	Bolt, Cylinder Head Cover	1
2	1.5789.0608	Flange Bolt M6 × 8	4	63	2.08.039	Drain Bolt M10 × 1.25 × 25	2
3	46.061100.00.2	Cover, Recoil Starter, Black	1	64	46.041000.00	Camshaft	1
4	45.060005.00	Spring, Recoil Starter	1	65	45.040013.00	Lifter, Valve	2
5	45.061102.00	Reel, Recoil Starter	1	66	45.040002.00	Valve, Intake	1
6	2.10.003	Rope Ø5 × 1550	1	67	45.040006.00	Valve, Exhaust	1
7	45.060003.00	Spring, Ratchet	2	68	46.040005.00	Push Rod	2
8	45.060002.00	Starter Ratchet, Steel	2	69	45.040015.00	Retainer, Valve Spring Down	2
9	45.060009.00	Spring, Ratchet Guide	1	70	45.040017.00	Oil Seal, Valve	2
10	45.060007.00	Ratchet Guide	1	71	45.040003.00	Spring, Valve	2
11	45.060008.00	Screw, Ratchet Guide	1	72	23.040010.00	Bolt, Rocker Arm	2
12	1.5789.0612	Flange Bolt M6 × 12	12	73	45.040001.00	Retainer, Intake Valve Spring	1
13	2.05.005	Clamp Ø6	2	74	45.040007.00	Retainer, Exhaust Valve Spring	1
14	46.080100.01.48	Fan Cover, Yellow	1	75	45.040008.00	Rotator, Exhaust Valve	1
15	2.02.007	Nut M16 × 1.5	1	76	46.040004.00	Guide Plate, Push Rod	1
16	1.5789.0629	Flange Bolt M6 × 29	4	77	46.040016.00	Shaft, Rocker Arm	1
17	45.060001.00	Pulley, Starter	1	78	46.040201.00	Retainer, Rocker Arm	1
18	46.123000.03	Ignition Coil, Silicon Rubber	1	79	46.040009.00	Rocker Arm, Intake Valve	1
19	45.080001.00	Cooling Fan	1	80	46.040018.00	Rocker Arm, Exhaust Valve	1
20	46.120100.04	Flywheel	1	81	1.97.1.06	Washer Ø6	2
21	45.030006.00	Plate, Coil	1	82	22.040012.00	Screw, Valve Adjustment	2
22	45.121000.00	Coil, Charging	1	83	1.6177.1.06	Flange Nut M6	2
23	2.11.007	Oil Seal Ø35 × Ø52 × 8	2	84	21.040021.00	Nut M6 × 0.5, Lock	2
24	2.05.050	Wire Clip, 100 mm	1	85	2.01.008	Stud Bolt M6 × M8 × 105	2
25	45.030032.00	Sheath, Wire	1	86	46.130002.20	Gasket, Insulator	1
26	2.03.023	Washer Ø12.5 × Ø20 × 2, Drain Bolt	2	87	45.130001.00	Insulator, Carburetor	1
27	46.030100.01	Crankcase	1	88	46.130003.20	Gasket, Carburetor	1
28	45.127000.02	Oil Level Sensor	1	89	46.131000.22	Carburetor	1
29	1.5789.0615	Flange Bolt M6 × 15	2	90	46.130004.20	Gasket, Air Cleaner	2
30	1.276.6202	Bearing 6202	2	91	1.6177.06	Flange Nut M6	3
31	47.050006.00	Weight Balancer	1	92	46.091100.04	Base, Air Cleaner	1
32	45.050100.14	Crankshaft	1	93	45.091002.20	Seal, Air Cleaner	1
33	46.030008.00	Gasket, Crankcase Cover	1	94	45.091001.20	Separator, Air Cleaner	1
34	2.04.001	Dowel Pin Ø9 × 14	2	95	45.091003.20	Element, Air Cleaner	1
35	46.080600.00	Air Guide, Right Side	1	96	46.091200.04	Cover, Air Cleaner	1
36	1.276.6207	Bearing 6207	1	97	1.5789.0835	Flange Bolt M8 × 35	2
37	46.031000.01.48	Oil Dipstick Assembly, Yellow	1	98	45.125100.00	Starter Motor Assembly	1
38	45.030007.00	Cover, Crankcase	1	99	45.125200.01	Relay, Starter, Remote Control	1
39	1.5789.0840.0.8	Flange Bolt M8 × 40	7	100	1.93.05	Lock Washer Ø5	2
40	2.03.021.1	Washer Ø6.4 × Ø13 × 1, Black	1	101	1.16674.0516	Flange Bolt M5 × 16	2
41	45.110013.00	Shaft, Governor Gear	1	102	45.110001.00	Shaft, Governor Arm	1
42	45.110100.00	Gear, Governor	1	103	2.03.019	Washer Ø8.2 × Ø17 × 0.8	1
43	21.110011.00	Clip, Governor Gear	1	104	2.11.006	Oil Seal Ø7 × Ø14 × 5	1
44	45.110012.00	Bushing, Governor Gear	1	105	45.110008.00	Pin, Shaft	1
45	47.050200.00	Connecting Rod	1	106	45.110003.00	Arm, Governor	1
46	46.050005.00	Piston	1	107	2.08.040	Bolt M6 × 21, Governor Arm	1
47	2.09.004	Circlip Ø21 × Ø1	2	108	45.110006.00	Rod, Governor	1
48	45.050003.00	Pin, Piston	1	109	45.110005.00	Spring, Throttle Return	1
49	45.050303.00	Ring, Oil	1	110	45.110007.00	Spring, Governor	1
50	46.050302.00	Ring, Second Piston	1	111	46.080300.20	Air Guide, Upper	1
51	46.050301.00	Ring, First Piston	1	112	46.131017.20	Main Jet, Standard	1
52	2.04.004	Dowel Pin Ø12 × 20	2	113	46.091000.04	Air Cleaner Assembly	1
53	46.030009.01	Gasket, Cylinder Head	1	114	46.061000.00	Recoil Assembly	1
54	46.080400.00	Air Guide, Lower	1	115	21.120400.00	Diode Assembly	1
55	46.010100.00	Cylinder Head	1	116	45.130005.01	Support, Stepper Motor	1
56	2.01.010	Stud Bolt M8 × 35	2	117	26.130015.24	Connector, Choke Valve Axis	1
57	2.15.001(F6TC)	Spark Plug F6TC	1	118	81.130010.00	Spring, Connector	1
58	2.08.014	Flange Bolt M10 × 80	4	119	45.132200.01	Stepper Motor	1
59	46.020002.00	Gasket, Cylinder Head Cover	1	120	1.823.0408	Screw M4 × 8	2
60	46.021000.00	Cover, Cylinder Head	1	121	81.132001.00	Cover, Stepper Motor	1
61	45.020001.02	Breather Tube	1				

CPG9000 E2 (EU) PARTS DIAGRAM

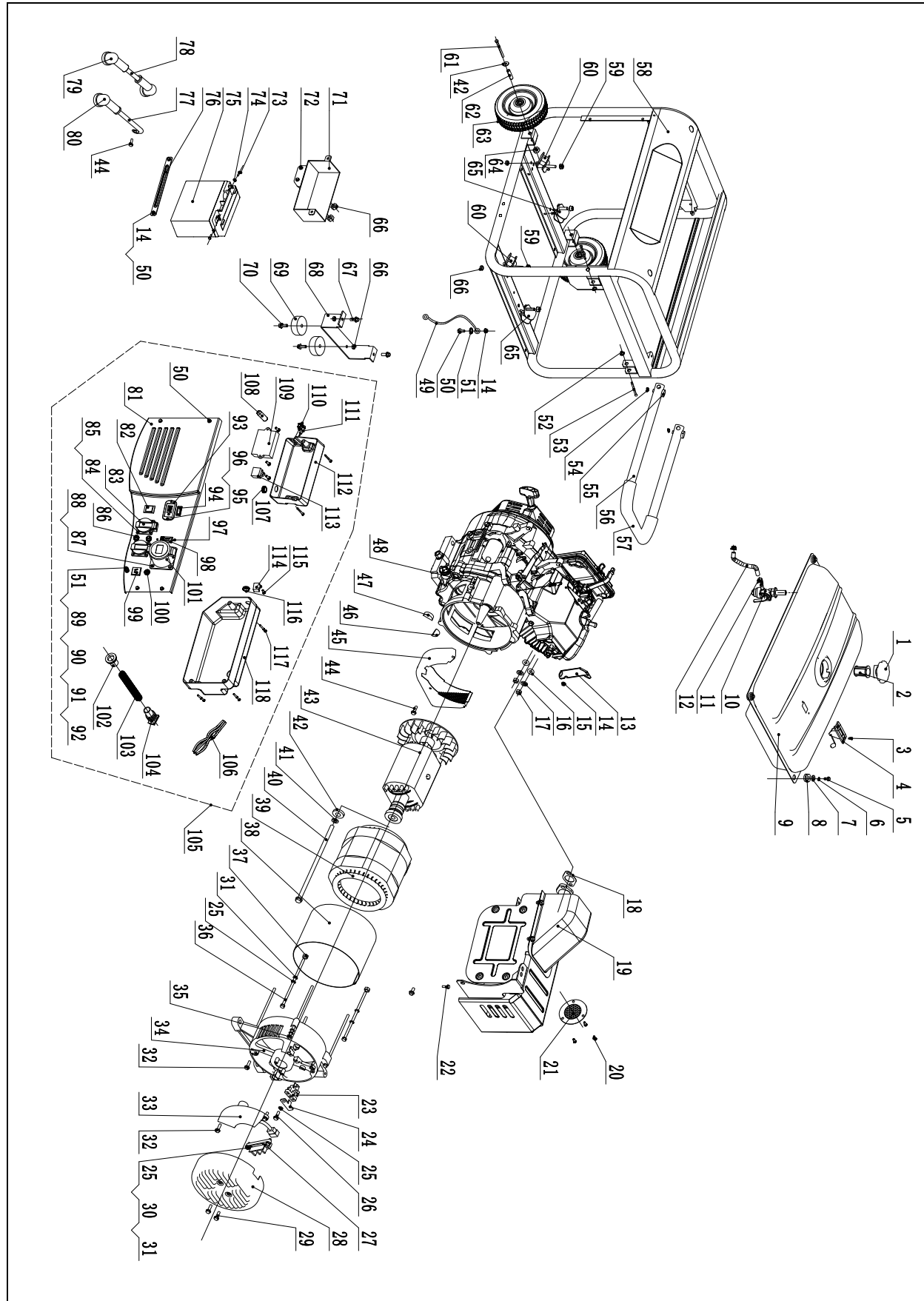


CPG9000 E2 (EU) PARTS LIST

No.	Part Number	Description	Qty
1	21.061300.00	Handle, Recoil, Soft	1
2	1.5789.0608	Flange Bolt M6 × 8	4
3	46.061100.00.2	Cover, Recoil Starter, Black	1
4	45.060005.00	Spring, Recoil Starter	1
5	45.061102.00	Reel, Recoil Starter	1
6	2.10.003	Rope Ø5 × 1550	1
7	45.060003.00	Spring, Ratchet	2
8	45.060002.00	Starter Ratchet, Steel	2
9	45.060009.00	Spring, Ratchet Guide	1
10	45.060007.00	Ratchet Guide	1
11	45.060008.00	Screw, Ratchet Guide	1
12	1.5789.0612	Flange Bolt M6 × 12	12
13	2.05.001	Clamp Ø8 × 6.5	2
14	47.080100.01.48	Fan Cover, Yellow	1
15	2.02.007	Nut M16 × 1.5	1
16	1.5789.0629	Flange Bolt M6 × 29	4
17	45.060001.00	Pulley, Starter	1
18	46.123000.03	Ignition Coil, Silicon Rubber	1
19	48.080001.00	Cooling Fan	1
20	46.120100.04	Flywheel	1
21	45.030006.00	Plate, Coil	1
22	45.121000.00	Coil, Charging	1
23	2.11.007	Oil Seal Ø35 × Ø52 × 8	2
24	2.05.050	Wire Clip 100 mm	1
25	152.070031.01	Sheath, Wire	1
26	2.03.023	Washer Ø12.5 × Ø20 × 2, Drain Bolt	1
27	48.030100.00	Crankcase	1
28	45.127000.02	Oil Level Sensor	1
29	1.5789.0615	Flange Bolt M6 × 15	2
30	1.276.6202	Bearing 6202	2
31	48.050006.00	Weight Balancer	1
32	47.050100.01	Crankshaft	1
33	46.030008.00	Gasket, Crankcase Cover	1
34	2.04.001	Dowel Pin Ø9 × 14	2
35	46.080600.00	Air Guide, Right Side	1
36	1.276.6207	Bearing 6207	1
37	46.031000.01.48	Oil Dipstick Assembly, Yellow	1
38	45.030007.00	Cover, Crankcase	1
39	1.5789.0840.0.8	Flange Bolt M8 × 40	7
40	2.03.021.1	Washer Ø6.4 × Ø13 × 1, Black	1
41	45.110013.00	Shaft, Governor Gear	1
42	45.110100.00	Gear, Governor	1
43	21.110011.00	Clip, Governor Gear	1
44	45.110012.00	Bushing, Governor Gear	1
45	47.050200.00	Connecting Rod	1
46	48.050005.00	Piston	1
47	2.09.004	Circlip Ø21 × Ø1	2
48	45.050003.00	Pin, Piston	1
49	48.050303.00	Ring, Oil	1
50	48.050302.00	Ring, Second Piston	1
51	48.050301.00	Ring, First Piston	1
52	2.04.004	Dowel Pin Ø12 × 20	2
53	48.030009.00	Gasket, Cylinder Head	1
54	46.080400.00	Air Guide, Lower	1
55	47.010100.01	Cylinder Head	1
56	2.01.010	Stud Bolt M8 × 35	2
57	2.15.001(F6TC)	Spark Plug F6TC	1
58	2.08.122	Flange Bolt M10 × 95	4
59	46.020002.00	Gasket, Cylinder Head Cover	1
60	47.021000.00	Cover, Cylinder Head	1
61	45.020001.02	Breather Tube	1

No.	Part Number	Description	Qty
62	47.020100.00	Bolt, Cylinder Head Cover	1
63	81.132001.00	Cover, Stepper Motor	1
64	48.041000.00	Camshaft	1
65	48.040013.00	Lifter, Valve	2
66	47.040002.00	Valve, Intake	1
67	47.040006.00	Valve, Exhaust	1
68	46.040005.00	Push Rod	2
69	45.040015.00	Retainer, Valve Spring	2
70	45.040017.00	Oil Seal, Valve	2
71	45.040003.00	Spring, Valve	2
72	23.040010.00	Bolt, Rocker Arm	2
73	45.040001.00	Retainer, Intake Valve Spring	1
74	45.040007.00	Retainer, Exhaust Valve Spring	1
75	45.040008.00	Rotator, Exhaust Valve	1
76	46.040004.00	Guide Plate, Push Rod	1
77	46.040016.00	Shaft, Rocker Arm	1
78	46.040201.00	Retainer, Rocker Arm	1
79	46.040009.00	Rocker Arm, Intake Valve	1
80	46.040018.00	Rocker Arm, Exhaust Valve	1
81	1.97.1.06	Washer Ø6	2
82	22.040012.00	Screw, Valve Adjustment	2
83	1.6177.1.06	Flange Nut M6	2
84	21.040021.00	Nut M6 × 0.5, Lock	2
85	2.01.008	Stud Bolt M6 × M8 × 105	2
86	46.130002.20	Gasket, Insulator	1
87	45.130001.00	Insulator, Carburetor	1
88	46.130003.20	Gasket, Carburetor	1
89	48.131000.11	Carburetor	1
90	46.130004.20	Gasket, Air Cleaner	2
91	1.6177.06	Flange Nut M6	3
92	46.091100.04	Base, Air Cleaner	1
93	45.091002.20	Seal, Air Cleaner	1
94	45.091001.20	Separator, Air Cleaner	1
95	45.091003.20	Element, Air Cleaner	1
96	46.091200.04	Cover, Air Cleaner	1
97	1.5789.0835	Flange Bolt M8 × 35	2
98	48.125100.00	Starter Motor Assembly	1
99	45.125200.01	Relay, Starter, Remote Control	1
100	1.93.05	Lock Washer Ø5	2
101	1.16674.0516	Flange Bolt M5 × 16	2
102	45.110001.00	Shaft, Governor Arm	1
103	2.03.019	Washer Ø8.2 × Ø17 × 0.8	1
104	2.11.006	Oil Seal Ø7 × Ø14 × 5	1
105	45.110008.00	Pin, Shaft	1
106	45.110003.01	Arm, Governor	1
107	2.08.040	Bolt M6 × 21, Governor Arm	1
108	45.110006.00	Rod, Governor	1
109	45.110005.00	Spring, Throttle Return	1
110	45.110007.00	Spring, Governor	1
111	46.080300.20	Air Guide, Upper	1
112	48.131017.01	Main Jet, Standard	1
112	48.131017.01.01	Main Jet, Altitude	/
113	46.091000.04	Air Cleaner Assembly	1
114	46.061000.00	Recoil Assembly	1
115	21.120400.00	Diode Assembly	1
116	2.08.039	Drain Bolt M10 × 1.25 × 25	1
117	1.823.0408	Screw M4 × 8	2
118	45.130005.01	Support, Stepper Motor	1
119	26.130015.24	Connector, Choke Valve Axis	1
120	81.130010.00	Spring, Connector	1
121	45.132200.01	Stepper Motor	1

CPG9000 E2 (EU) PARTS DIAGRAM

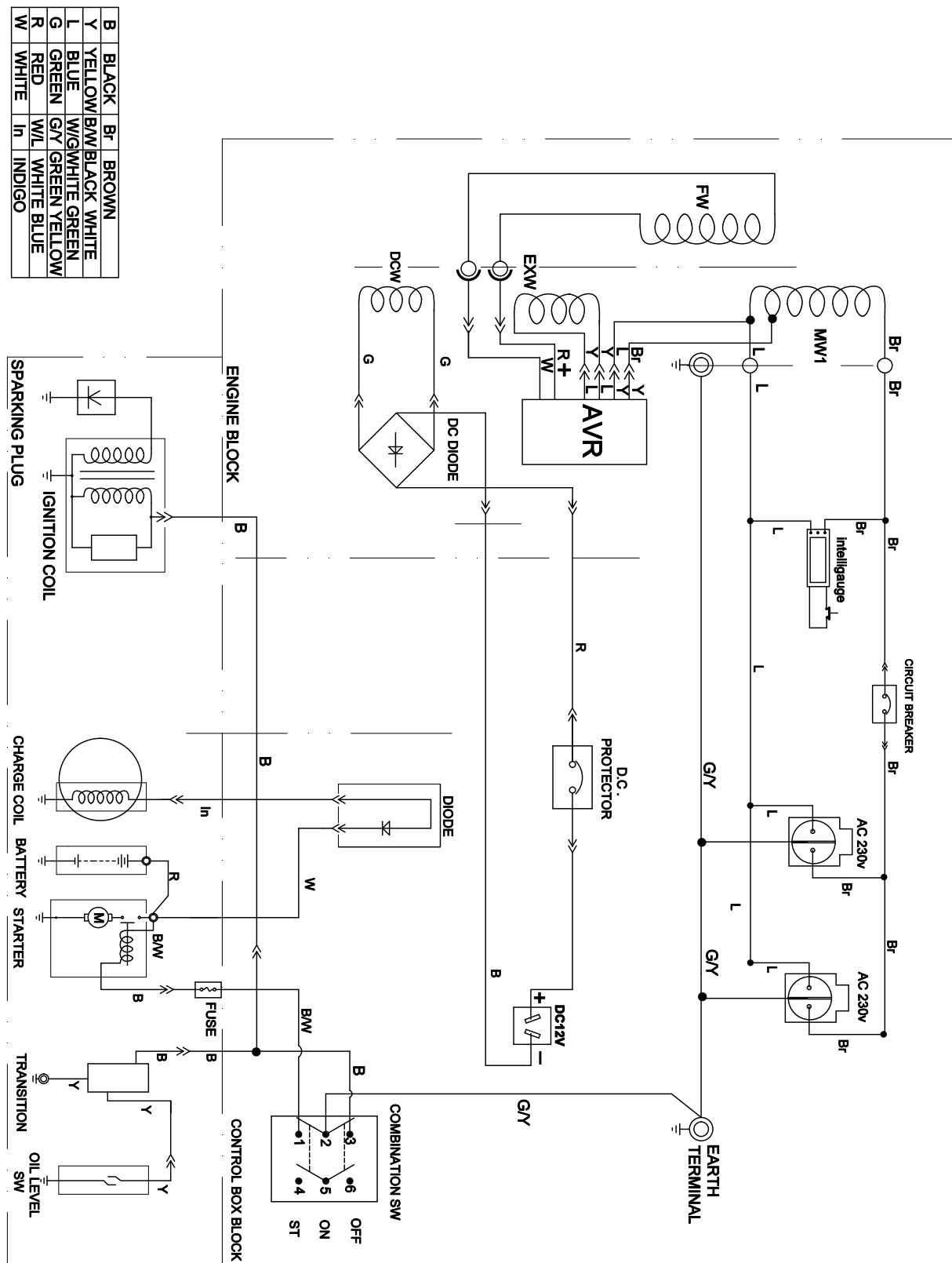


CPG9000 E2 (EU) PARTS LIST

No	Part Number	Destription	QTY
1	122.070100.03	Fuel Tank Cap	1
2	122.070300.02	Fuel Filter	1
3	1.819.0510	Screw M5 x 10	2
4	152.072000.03	Fuel Meter Assembly	1
5	1.5789.0620.2	Flange Bolt M6 x 20	4
6	1.93.06	Spring Washer Φ 6	4
7	2.03.004	Washer Φ 6	4
8	122.070015.01	Mount Vibration, Fuel Tank	4
9	152.071000.03.48	Fuel Tank	1
10	122.070400.03	Fuel Cock	1
11	2.06.007	Clamp	2
12	152.070011.06	Pipe,Fuel (6.7 in)	1
13	45.090006.20	Holder, Air Cleaner	1
14	1.6177.1.06	Nut M 6	4
15	1.848.08	Washer Φ 8	2
16	1.93.08	Spring Washer Φ 8	2
17	1.6175.08	Nut M8	2
18	46.100001.07	Muffler Gasket	1
19	46.101000.01.2	Muffler Assembly	1
20	1.9074.4.0510	Bolt And Washer Assembly M5 x 10	3
21	46.101300.00	Arrester Assembly, Spark	1
22	1.16674.0825	Flange Bolt M8x25	2
23	152.190300.00	Carbon Bursh Assembly	1
24	122.190004.01	Pinch	1
25	1.93.05	Spring Washer Φ 5	5
26	1.5783.0520	Bolt M5 x 20	1
27	122.190400.00	Terminal Block	1
28	152.190003.00.48	Generator End Cover	1
29	1.16674.0512.2	Flange Bolt M5 x 12	2
30	1.5783.0516	Bolt M5 x 16	2
31	1.97.1.05	Washer Φ 5	4
32	1.16674.0516	Flange Bolt M5 x 16	3
33	154.190200.02	AVR	1
34	152.190002.00	End Housing	1
35	2.08.069	Flange Bolt M6 x 194	4
36	2.08.071	Bolt M5 x 229	2
37	1.6175.05	Nut M5	2
38	154.191002.00	Stator Cover	1
39	154.191200.01	Stator Assembly	1
40	2.08.070	Flange Bolt M10 x 280	1
41	1.7244.10	Spring Washer Φ 10	1
42	1.96.10	Washer Φ 10	3
43	154.191100.00	Rotor Assembly	1
44	1.5789.0608	Flange Bolt M6 x 8	3
45	152.192300.00	Air Guide	1
46	152.190005.00	Rubber, Fore-Cover	1
47	152.190005.01	Rubber, Fore-Cover	1
48	CPG9000E2-EU	Engine	1
49	5.1900.026	Grounding Line	1
50	1.5789.0612	Flange Bolt M6 x 12	7
51	1.862.06	Lock Washer Φ 6	2
52	1.894.1.10	Circlip Φ 10	2
53	152.200703.04	Pin,Handle	2
54	1.894.1.08	Circlip Φ8	2
55	152.200703.02	Pin, Handle	2
56	152.200701.02.2	Handle	1
57	152.200702.02	Cover, Handle	1
58	65264.0.10.2	Frame	1
59	1.6177.1.10	Nut M10	4

No	Part Number	Destription	QTY
60	152.201200.01	Motor Mount	2
61	1.5182.10120	Bolt M10 x 120	2
62	253.200016.00	Bush Φ 16 x Φ 10.5 x 69.5	2
63	152.201701.04.48	10 in Wheel	2
64	1.6182.10	Nut M10	2
65	152.201200.02	Motor Mount	2
66	1.6177.1.08	Nut M8	12
67	1.5789.0816	Flange Bolt M8 x 16	2
68	152.200002.01.2	Support Leg	1
69	152.201400.00	Rubber, Support	2
70	1.5789.0825	Flange Bolt M8 x 25	2
71	152.200901.06.2	Battery Support	1
72	1.16674.0835	Flange Bolt M8 x 35	2
73	1.9074.3.0510	Bolt And Washer Assembly M5 x 10	2
74	1.6177.1.05	Nut M5	2
75	9.1000.150	Battery 12V15 AH	1
76	152.200902.01.2	Pinch, Rubber	1
77	5.1900.025	Black Wire, Battery	1
78	5.1900.024	Red Wire, Battery	1
79	152.200013.01.3	Jacket, Red	2
80	152.200013.01	Jacket, Black	1
81	152.159.049.2	Control Panel	1
82	5.1000.001.3	Switch	1
83	5.1120.013	Receptacle	2
84	1.819.0414.2	Bolt and Washer Assembly M4 x 14	8
85	1.6177.1.04.2	Nut M4	8
86	5.1210.920	20Amp Circuit Breaker, Push Button	2
87	1.819.0516.2	Bolt and Washer Assembly M5 x 16	4
88	1.6177.1.05.2	Nut M5	4
89	1.5783.0622.3	Bolt M6 x 22	1
90	1.6175.06.3	Nut M6	2
91	1.93.06.3	Spring Washer Φ6	2
92	1.97.1.06.3	Washer Ø6, Green	2
93	5.1430.002	Intelligauge	1
94	5.1000.000.3	Switch	1
95	1.9074.4.0414.2	Screw And Washer Assembly M4 x 14	2
96	1.6177.1.04.2	Flange Lock Nut M4	2
97	1.9074.4.0306.2	Bolt M3 x 6	2
98	5.1230.304	30.4Amp Circuit Breaker	1
99	5.1110.001	Receptacle	1
100	5.1200.110.1	Breaker	1
101	5.1120.014	Receptacle	1
102	122.210003.01	Plug	1
103	5.1330.007	Sheath, Wire	1
104	152.210003.02	Plug	1
105	CPG9000E2-EU.21	Control Panel Assembly	1
106	CPG9000E2-EU.21.10	Wire Assembly	1
107	122.210003.00	Plug	1
108	5.1280.003	Fuse(10A)	1
109	5.1830.001	Remote Control Module	1
110	5.1040.004	Switch	1
111	5.1460.003	Indicator light	1
112	152.210002.11	Control Box	1
113	5.1820.000	Charger	1
114	5.1800.000	Rectifier	1
115	1.823.0514.2	Screw M5 x 14	4
116	122.210003.00	Plug	1
117	1.9074.1.0538.2	Bolt and Washer Assembly M5 x 38	5
118	152.210002.09	Control Box	1

CPG2500 (EU), CPG3500 (EU) & CPG4000 E1 (EU) WIRING DIAGRAM



CPG65000 E2 (EU) & CPG 9000 E2 WIRING DIAGRAM

