



DUAL FUEL GENERATORS INSTRUCTION MANUAL

PLEASE READ BEFORE USE



GF5500E-DF



GF6500E-DF



GF8300E-DF



Equipmart Ltd
Kiam House
Birchill Road
Knowsley Ind. Park North
Merseyside
L33 7TD
United Kingdom

A REAL BEAST OF A MACHINE

T: (+44) 0151 548 5500
E: contact@equip2clean.co.uk

© Equipmart Ltd
www.equip2clean.co.uk

TABLE OF CONTENTS

General Information (2-15)

Important Safety Information	2-6
Assembly	7-9
Controls	9-11
Operation	11-12
Pre-start Checks	13
Engine Start-up	14-15

Servicing & Maintenance (16-22)

Maintenance Schedule	16
Air Filter	17
Cylinder Head	17
Engine Oil Level	17
Engine Oil Change	18
Engine Valve Lash	19
Fuel Lines	19
Monthly Inspection	19
Spark Arrester	19
Spark Plug	20
Walkaround Inspection	20-21
Storage	21-22

Additional Information

Three-Phase Power Guidelines	23
Switching Fuel Type	24-25
Technical Specifications – GP5500E-DF	26
Technical Specifications – GP6500E-DF	27
Technical Specifications – GP8300E-DF	28
Troubleshooting	29
Warranty	30
Aftercare & Support.....	31

IMPORTANT SAFETY INFORMATION

Most accidents can be prevented by following all instructions in this manual. The most common hazards are mentioned below, along with the best ways to protect yourself and others.

The warnings, cautions, and instructions in this manual cannot cover every possible situation or condition that may arise. It is the operator's responsibility to exercise common sense and caution when using this product.

This Owner's Manual is considered a permanent part of the generator and should remain with the generator if it is resold.

The information and specifications included in this publication were accurate at the time of approval for printing.

Only the model with the electric starter is equipped with both electric and manual starting.

READ THIS OWNER'S MANUAL CAREFULLY. Pay special attention to these symbols and the instructions that follow:

WARNING: Indicates serious injury or death will result if instructions are not followed.

CAUTION: Indicates a strong possibility that serious injury or death could result if instructions are not followed.

NOTICE: Indicates a possibility that minor injury will result if instructions are not followed.

IMPORTANT: Indicates that equipment or property damage could result if instructions are not followed.

NOTE: Provides helpful information.

If a problem does arise, please don't hesitate to contact us or refer to Page 29 – Aftercare & Support for further assistance.

IMPORTANT SAFETY INFORMATION

There may be several specific safety messages on your generator. Please ensure you are familiar with all safety messages.

Make sure all safety messages remain legible. If any safety message becomes difficult to read or the illustrations are no longer visible, clean them using a cloth, water, and mild soap. Do not use solvents, petrol, or other harsh chemicals, as these may weaken the adhesive securing the safety messages.

Replace any damaged or missing safety messages. If a safety message is attached to a part of the generator that is replaced, ensure a new safety message is installed on the replacement part.

READ THIS OWNER'S MANUAL CAREFULLY.



Do not operate or perform maintenance on this generator unless you have read and understood the instructions and warnings in the Owner's Manual. Failure to follow these instructions or heed the warnings could result in injury or death. Proper care and safe operation are your responsibility.



Heated components can cause burns or injury. Avoid direct contact with hot surfaces. Wear appropriate protective clothing or equipment to safeguard your skin.

Carbon Monoxide Warning

Operating a generator indoors can be fatal within minutes.

Generator exhaust contains carbon monoxide—a poisonous gas that is colourless and odourless. Never operate a generator inside a home, garage, or enclosed space, even if doors and windows are open. Always use the generator outdoors, positioned well away from windows, doors, and ventilation openings.



⚠ DANGER

Using a generator indoors **CAN KILL YOU IN MINUTES.**
Generator exhaust contains carbon monoxide. This is a poison you cannot see or smell.

 NEVER use inside a home or garage, EVEN IF doors and windows are open.	 Only use OUTSIDE and far away from windows, doors, and vents.
--	--

IMPORTANT SAFETY INFORMATION

If anyone experiences dizziness, headaches, nausea, or fatigue, move to fresh air immediately and seek medical attention.



Do not operate or maintain this equipment without reading the Owner's Manual. Never connect the generator to a utility electrical system unless properly isolated, as electrical feedback may result in serious injury or death.

	Do not operate in wet conditions.
	Do not refuel near open flames. Do not refuel while the engine is running.
	Do not smoke while refueling.
	Maintain a minimum distance of 5 feet (1.5 meters) from other objects.
	Ensure that the unit is properly grounded.

Electrical equipment, including wiring and plug connections, should be protected from moisture.

Circuit breakers must match the generator specifications. If replacement is necessary, use a circuit breaker with the same rating and performance characteristics.

In any generator installation, the generator frame must be connected to an earth ground. A ground terminal is provided.

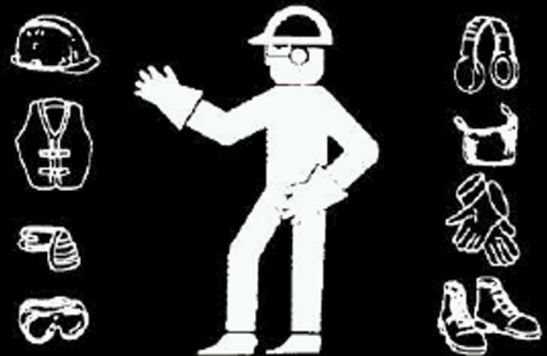
IMPORTANT SAFETY INFORMATION

For 230VAC use, ensure extension cords are rated for 240V at 30A or higher. Always use the shortest extension cord that meets these specifications.

PPE

Personal Protective Equipment (PPE) is essential for ensuring your safety when working with or around machinery. Proper use of PPE helps prevent injury and provides protection against potential hazards such as flying debris, noise, and harmful chemicals. Always wear the necessary protective gear for the specific tasks you are performing to minimise risk and comply with UK health and safety regulations.

- Always wear a hard hat, protective glasses, and any other required protective equipment.
- When working near an operating engine, wear ear protection to prevent hearing damage.
- Avoid wearing loose clothing or jewellery that could become caught on controls or other engine parts.
- Ensure that all protective guards and covers are securely in place on the engine.
- Never store maintenance fluids in glass containers, as they can break. Handle all cleaning solutions with care.



ASSEMBLY

Feet Assembly

1. Position the unit's frame on blocks to ensure sufficient clearance for installing the feet and wheels.

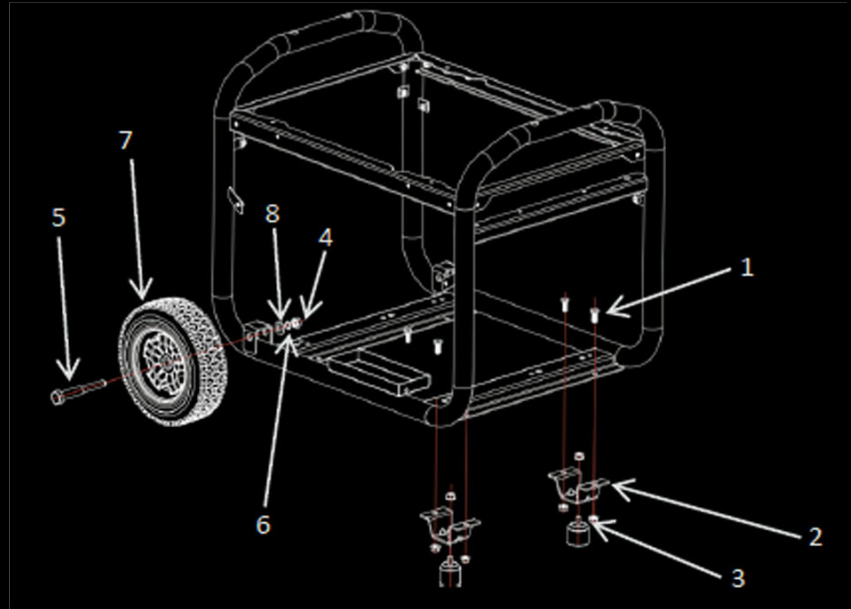
2. Align the mounting holes of the foot bracket (2) with the corresponding holes in the frame.

3. Insert one 8 mm bolt (1) through each set of mounting holes.

4. Hand-tighten one 8 mm nut (3) onto each bolt.

5. Repeat steps 2–4 for the second foot.

6. Securely tighten all four nuts.



Wheel Assembly

1. Insert the wheel axle (Figure 5) into the tyre (Figure 7) as shown in the diagram.

2. Place the wheel axle (Figure 5) with the tyre (Figure 7) into the mounting hole of the frame.

3. Insert a 12 mm flat washer (Figure 8) followed by a 12 mm spring washer (Figure 6) onto the end of the wheel axle, then tighten with a nut.

4. Repeat steps 1 to 3 to mount the second tyre.

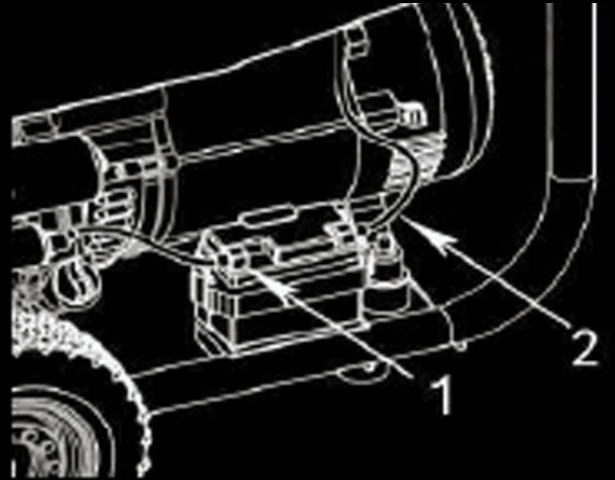
5. Remove any blocking material.

ASSEMBLY

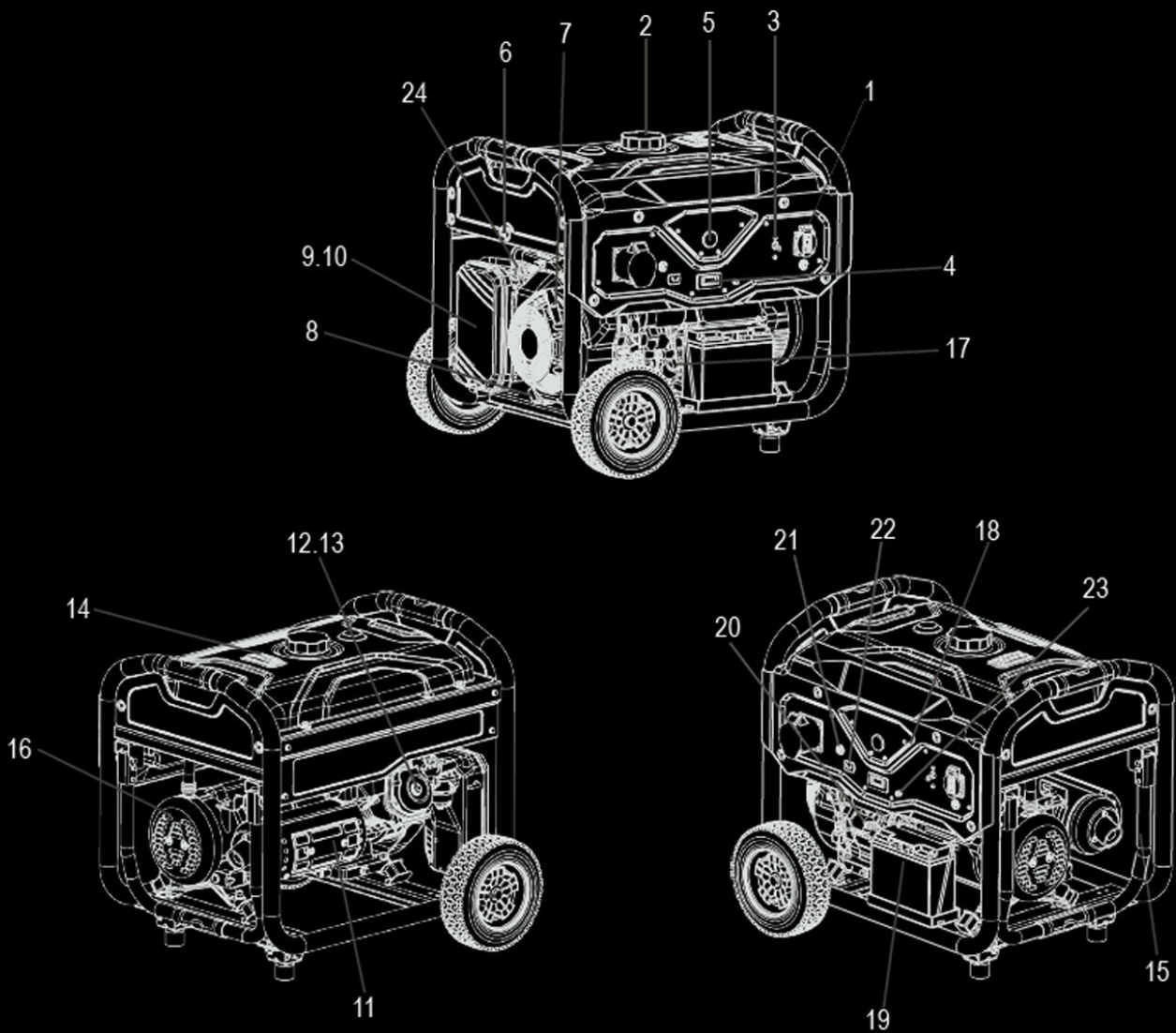
Battery Connection

To connect the battery:

1. The unit is shipped with the positive battery cable (1) already connected.
2. Attach the cable with the black cap (2) to the negative battery terminal.



Parts Identification

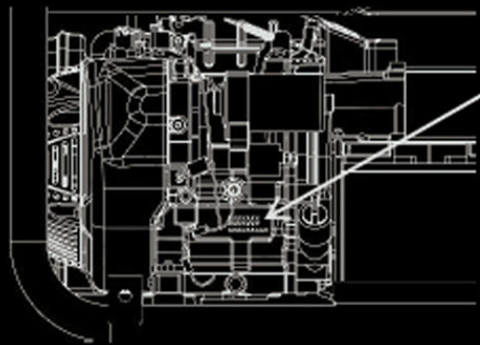


ASSEMBLY

1. 230V Receptacle
2. Fuel Cap
3. AC Circuit Breaker
4. Display
5. Electric Door Lock
6. Fuel Valve
7. Recoil Starter
8. Oil Drain
9. Air Filter Assembly
10. Air Filter
11. Muffler
12. Engine
13. Spark Plug
14. Fuel Gauge
15. Handle Assembly
16. Alternator
17. Oil Gauge / Oil Fill
18. Engine Start/Stop
19. Battery (if equipped)
20. Starter (if equipped)
21. DC Circuit Breaker
22. 12V Receptacle
23. End Bolt
24. Choke

Engine Type & Serial Number

Generators are identified by their model number, serial number, and performance specification number. The model number and performance specifications are displayed on the ratings plate (1), while the serial number is located on the serial number plate (2).

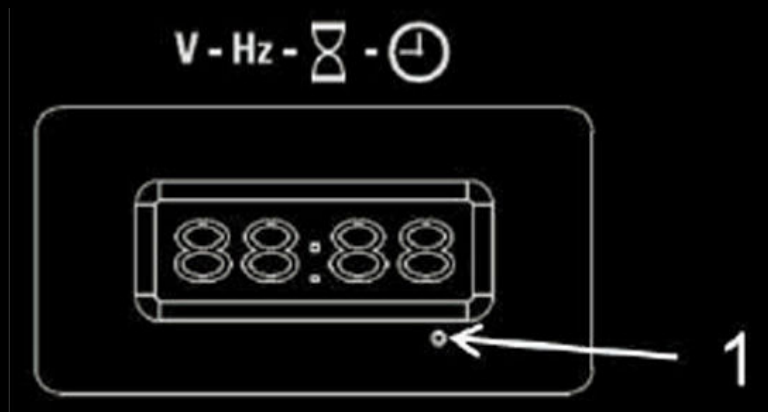


ENGINE TYPE (1)
SERIAL NUMBER (2)

CONTROLS

Display

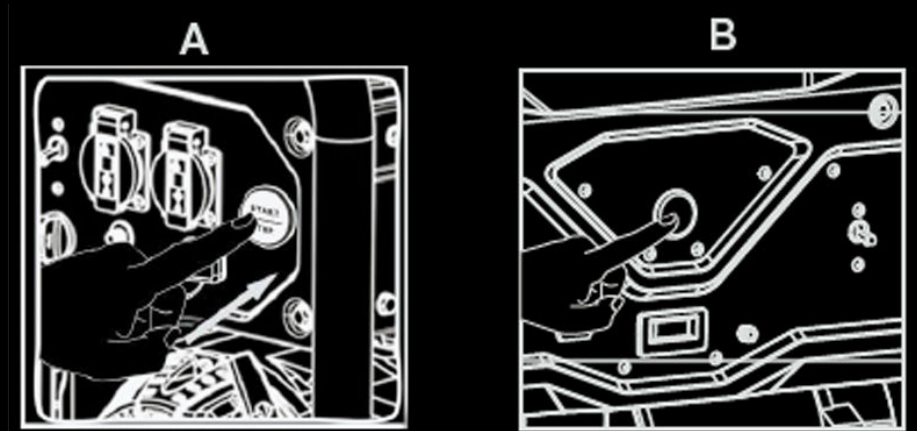
This generator features a display that shows voltage, frequency, total operating hours, and current runtime. Use the toggle switch (1) to select the desired readout.



CONTROLS

Generator Switch

Press the start switch to start the unit. Press the start switch to shut down the unit.



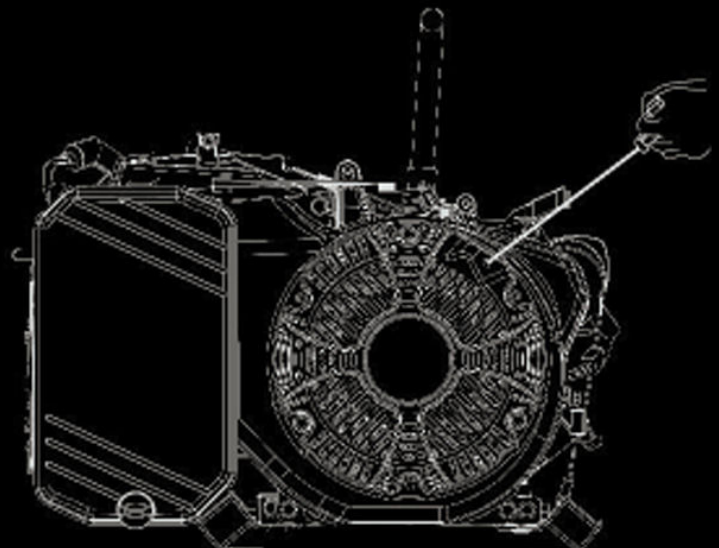
Fuel Switch

The fuel switch regulates fuel flow from the tank to the carburettor. Set it to "ON" before starting the engine and "OFF" after shutting it down.



Recoil Starter

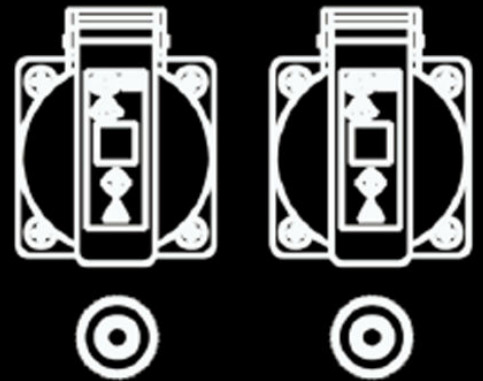
To start the engine, pull the starter handle slowly until you feel resistance, then pull it sharply. Return the handle gently to avoid damaging the starter—do not let it snap back against the engine.



CONTROLS

AC Circuit Breaker

The generator is fitted with circuit breakers to protect both the unit and connected loads from short circuits or overloads. If a circuit breaker trips, identify and resolve the cause before resetting it.



230V portable generators come with an additional circuit breaker that will isolate all of the outlets on the panel. This breaker must be in the "On" position for the unit to provide power.



Low Oil Level Shut-down

The generator features a low oil shut-down system to protect the engine from damage due to insufficient oil in the crankcase. If the oil level drops below the safe operating limit, the system will automatically shut down the engine.

OPERATION

Optimal Generator Operating Conditions

- Operating Temperature: 23°F to 104°F (-5°C to 40°C)
- Humidity: Below 95%
- Altitude: Up to 3,280 feet (1,000 m). At elevations above 1,000 m, output power will be reduced.

OPERATION

Connection to Household Power Supply

This generator must be installed in compliance with all applicable local laws and electrical codes. It must be isolated from the utility supply, and the connection must be verified by a qualified electrician.

Generator Grounding

The National Electrical Code requires generators to be grounded to an approved earth ground. Proper grounding ensures optimal engine performance and reduces the risk of electric shock. Use the ground terminal to ground the generator correctly. Before doing so, consult a qualified electrician, electrical inspector, or relevant local authority to ensure compliance with applicable regulations.

AC Usage

Do **NOT** overload the generator. Exceeding its rated power can cause damage to both the generator and any connected electrical devices. Motor-driven equipment requires a high starting current. Ensure that the total power demand of such devices does not exceed the generator's rated capacity.

When powering multiple appliances, connect the device with the highest starting power requirement first, followed by the next highest, and finish with the lowest.

High Altitude Usage

At higher altitudes, the standard air-fuel mixture becomes too rich, leading to reduced performance and increased fuel consumption. A rich mixture can also foul the spark plug, making starting more difficult.

Prolonged operation at high altitudes may result in increased emissions. To ensure proper performance, an altitude kit should be installed when necessary. High-altitude kits must be fitted by a qualified technician. If the generator will be used at elevations above 3,000 feet (0.9 km), contact an authorised service provider.

Note: Even with a high-altitude kit installed, engine performance may decrease at elevations above 8,000 feet.

PRE-START CHECKS AND PREPARATION

Engine Oil

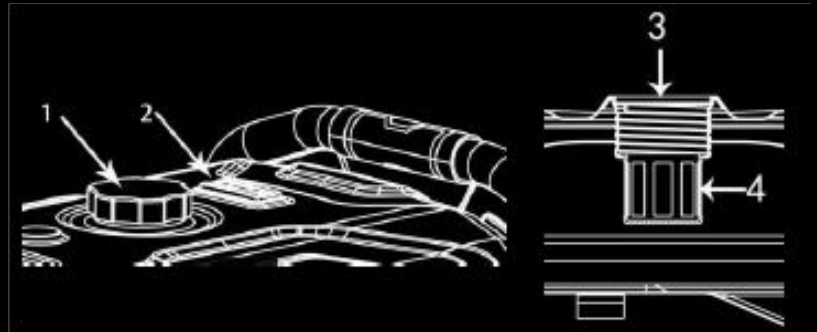
Check the oil level before each use. Refer to the Engine Oil – Check procedure in this manual.

Fuel

1. Check the fuel level gauge (1).

2. If the fuel level is low, remove the fuel cap (2).

3. Check the fuel strainer. If the strainer is dirty, clean it. .



4. Add fuel. It is highly recommended to use a fuel stabiliser, as the unit may remain unused for extended periods.

5. Reinstall the fuel cap after refuelling.

To avoid personal injury, always exercise caution when refuelling:

- Fuel the generator in a well-ventilated area.
- Always stop the engine before refuelling. Allow the engine to cool before refuelling.
- Do not smoke while refuelling the generator.
- Do not fuel the generator near open flames or sparks.
- Do not overfill the fuel tank past the full line (3).
- Avoid repeated or prolonged contact with skin.
- Avoid prolonged inhalation of fuel vapours.

To prevent damage to the generator:

- Use unleaded petrol with an octane rating of 90 or higher.
- Do not mix oil with the petrol.
- Do not use petrol with more than 10% ethanol content.
- Do not use old petrol.
- Avoid introducing dirt or water into the fuel tank.

Perform the Walk-Around Inspection before each use as outlined later in this manual.

ENGINE START-UP

Recoil Start

1. Isolate the generator from the utility supply.
2. Unplug any electrical devices from the receptacles.
3. Turn the fuel switch to the **"ON"** position.
4. Set the AC circuit breakers to the **"OFF"** position.
5. If the engine is cold, turn the choke knob to the closed position.
6. Turn the generator switch to the **"ON"** position.
7. Slowly pull the starter handle until resistance is felt, then quickly pull the starter handle the rest of the way. If the engine does not start, repeat until the engine starts.
8. Once the engine has warmed up, turn the choke knob to the open position.
9. Turn the AC circuit breaker to the **"ON"** position.

Electric Start (If Equipped)

1. Isolate the generator from the utility supply.
2. Unplug any electrical devices from the receptacles.
3. Turn the fuel switch to the **"ON"** position.
4. Set the AC circuit breakers to the **"OFF"** position (ignore this step if equipped with a one-button start system).
5. If the engine is cold, pull out the choke knob.
6. Turn the generator switch to the **"START"** position and hold it there until the engine starts.

ENGINE START-UP

NOTE: Do not hold the generator switch in the **"START"** position for more than 5 seconds. Holding the generator switch in the **"START"** position for longer than 5 seconds may damage the starter. If the engine fails to start, wait 10 seconds before attempting to start again.

7. After starting the engine, immediately release the generator switch so it can automatically return to the **"ON"** position.

8. Once the engine has warmed, push the choke knob in (ignore this step if equipped with a one-button start system).

9. Turn the AC circuit breaker to the **"ON"** position.

Stopping The Engine

1. Disconnect the generator and unplug all electrical devices.

2. Turn the AC circuit breaker to the **"OFF"** position.

3. Turn the generator switch to the **"OFF"** position.

4. Turn the fuel switch to the **"OFF"** position.

NOTE: To stop the engine in an emergency, turn the generator switch to the **"OFF"** position.

SERVICING & MAINTENANCE

Safety Information:

Ensure that all safety information, warnings, and instructions are read and understood before performing any maintenance procedures.

Maintenance Intervals:

Use service hours to determine the correct maintenance intervals.

Before Servicing:

Stop the engine before servicing. Place the engine in a horizontal position and remove the spark plug cap to prevent the engine from starting. Do not operate the engine in an unventilated room or any enclosed area.

Maintenance Schedule

For Immediate Attention:

- Fuel Tank Cap and Strainer – Clean after every use.
- Engine Oil Level – Check regularly.
- Walk-Around Inspection – Perform before each use.

After the First 20 Service Hours or 1 Month:

- Engine Oil – Change.

Monthly Maintenance:

- Generator – Inspect.

Every 50 Service Hours or 3 Months:

- Air Filter – Check.
- Spark Arrester – Inspect, clean, or replace.

Every 100 Service Hours or 6 Months:

- Engine Oil – Change.
- Spark Plug – Inspect, adjust, or replace.

Every 100 Service Hours or 6 Months:

- Cylinder Head – Clean.
- Engine Valve Lash – Check.

Every 2 Years:

- Fuel Line – Replace.
- Air Filter – Check.

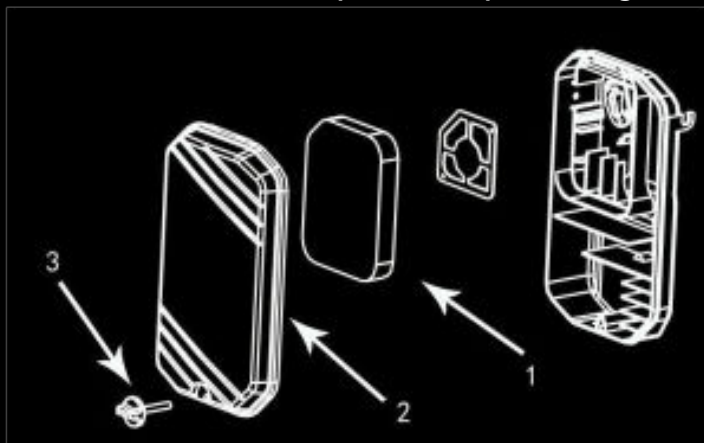
SERVICING & MAINTENANCE

Air Filter

A dirty air filter will restrict airflow into the carburettor, cause poor fuel economy, and may damage the engine. To keep the generator in good operating condition, service the air filter regularly. Service more frequently if operating the generator in extremely dusty areas.

Note: Never operate the generator without the air filter in place. Operating the generator without the air filter will result in damage to the engine.

Remove the air filter cover bolt (3) and take off the air filter cover (2). Ensure that the air filter (1) is clean and not damaged. If the air filter is dirty, wash it. If the air filter is damaged, replace it.



Use a non-flammable solvent or a mixture of household detergent and warm water to wash the filter. Rinse the filter thoroughly to remove all cleaning solution. After the filter has dried, pour some engine oil onto the filter. Then squeeze the filter to distribute the oil evenly and remove any excess oil.

Note: Do not wring out the filter, as this may damage it.

Install the filter into the filter housing. Place the air filter cover over the filter and reinstall the air filter cover bolt.

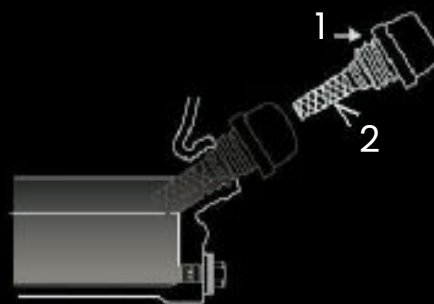
Cylinder Head

This maintenance procedure should only be carried out by qualified service personnel. Contact your local service centre to schedule this maintenance.

Engine Oil Level

Always check the engine oil with the generator on a level surface and with the engine switched off.

1. Remove the oil filler cap (1) and wipe the oil level gauge (2) to clean it.



SERVICING & MAINTENANCE

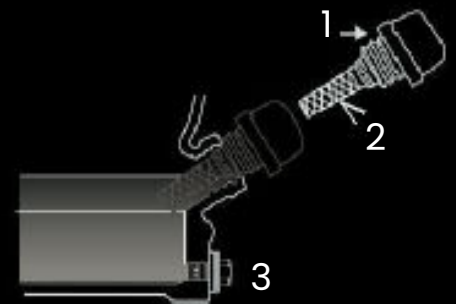
2. Check the oil level by inserting the oil level gauge into the filler neck. Do not screw the oil filler cap in when checking the oil level.
3. If the oil level is low, add the recommended engine oil until the oil level reaches the upper mark on the oil level gauge. Use the chart below to determine the correct oil viscosity.
4. After adding oil, install and tighten the oil filler cap.

Recommended Lubricant Viscosities for Ambient Temperature				
Oil Viscosities	° C		° F	
	-Min	Max	-Min	Max
SAE 0W-40	-40	40	-40	104
SAE 5W-40	-30	50	-22	122
SAE 10W-30	-18	40	0	104
SAE 15W-40	-10	50	14	122

Note: Non-detergent and 2-stroke engine oils will damage the engine and must not be used.

Engine Oil Change

1. Operate the engine until it reaches its normal operating temperature. Stop the engine and use a suitable container to collect the used oil.
2. Remove the oil filler cap (1) and drain plug (3) to drain the oil.
3. Reinstall the drain plug and tighten it securely to a torque of 18 ± 2 lb-ft (24 ± 3 Nm).
4. Refill the oil and check the oil level.
5. Install and tighten the oil filler cap.
6. Dispose of the used oil properly, following local regulations.



SERVICING & MAINTENANCE

Engine Valve Lash

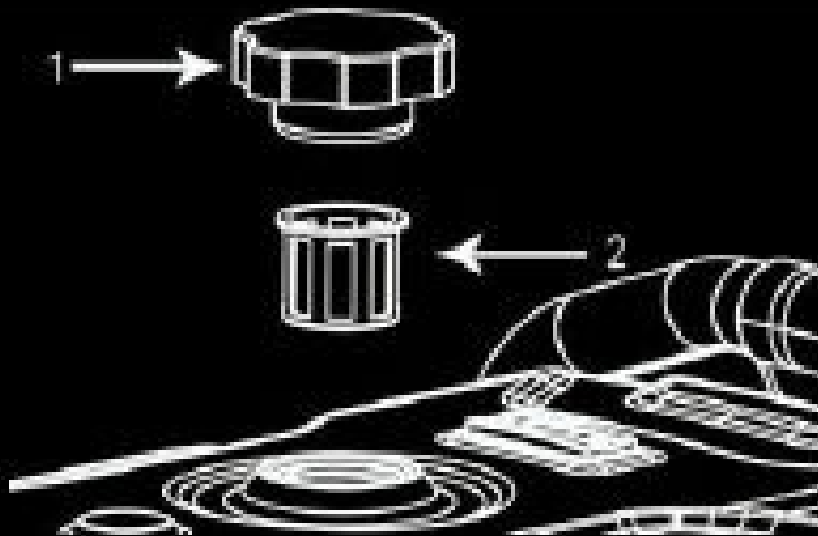
Only qualified service personnel should carry out this maintenance procedure. Please contact your local service centre to arrange for this service.

Fuel Lines

Only qualified service personnel should carry out this maintenance procedure. Please contact your local service centre to arrange for this service.

Before removing the fuel cap (1), wipe off the cap and the surrounding area. This helps to reduce the amount of contaminants that may enter the fuel system.

If there is a build-up of debris in the fuel strainer (2), remove the strainer and rinse it thoroughly. Allow the strainer to dry completely before reinstalling it.



Monthly Generator Inspection

Once a month, start the engine and allow it to run until it reaches normal operating temperature (approximately 20 minutes). Plug in a corded device and switch it on to ensure that the generator is supplying power. After confirming that the generator is providing power, switch off the device and unplug it. Finally, turn off the generator.

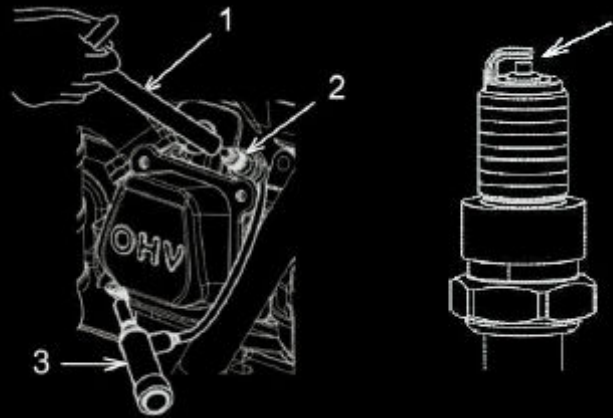
SERVICING & MAINTENANCE

Spark Plug – Inspect/Clean/Replace

This unit is equipped with a spark arrestor located at the exhaust outlet of the muffler. The spark arrestor should be cleaned with a soft wire brush after every 50 hours or 3 months of use. It should be replaced after every 100 hours of operation or if it becomes damaged.

DO NOT perform this maintenance procedure until the muffler has cooled

1. Remove the side panel.
2. Remove the spark plug cap (3).
3. Use the plug wrench (1) to remove the spark plug.
4. Visually inspect the spark plug for any damage. If the insulator is cracked, replace the spark plug. If the electrode is damaged, replace the spark plug.



5. Measure the plug gap (4) using a feeler gauge. Adjust the gap as needed by carefully bending the side electrode. Refer to the Specifications section for the correct gap for your product.
6. Check the spark plug washer to ensure it is in good working condition. If the washer is damaged, replace it.
7. Install the spark plug and tighten to 16 ± 2 lb-ft (22 ± 2 Nm). **DO NOT** overtighten, as this may damage the engine.

Walk-Around Inspection

Before starting the engine, perform a visual inspection of the unit. Check for:

- Correct oil level
- Adequate fuel level
- Good quality fuel
- Fluid leaks

SERVICING & MAINTENANCE

- Loose Clamps
- Loose Bolts
- Cracked Fuel Lines
- Loose or Frayed Wiring
- Built-up Debris

Additionally, ensure that:

- The Ground Strap is properly connected
- The Circuit Breakers are in the “OFF” position

Storage

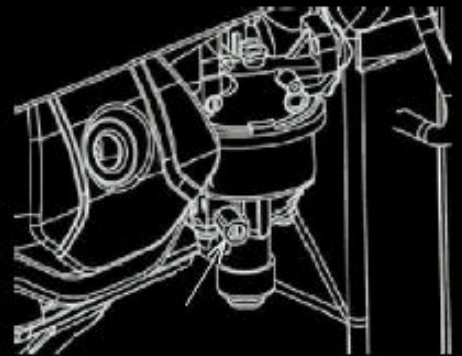
When a generator is in storage, moisture may condense in the windings. To minimise condensation, always store the generator in a dry area. Cover the generator with a protective cover that extends to the ground. The cover should remain loose around the generator to allow proper ventilation.

Storage for 1 – 3 months:

- Remove any dirt, rust, grease, and oil from the generator. **DO NOT** use a pressure washer to clean the generator.
- Inspect the exterior and make any necessary repairs.
- Add fuel stabiliser to the fuel tank to prevent the gasoline from deteriorating.
- Start and run the engine for 10 minutes to ensure the fuel stabiliser is drawn into the carburettor.
- Shut off the engine and allow it to cool.
- Turn the fuel valve to the “OFF” position.
- Move the generator to the storage location and cover it.

Storage for more than 3 months:

- Remove any dirt, rust, grease, and oil from the generator. **DO NOT** use a pressure washer to clean the generator.
- Inspect the exterior and make any necessary repairs.
- Ensure that the fuel valve is in the “ON” position.
Remove the fuel cap and the drain plug from
- the carburettor bowl and drain the fuel into a suitable container. **DO NOT** save the fuel for future use in the generator.
Once the fuel has completely drained from
- the system, reinstall the drain plug into the carburettor.



SERVICING & MAINTENANCE

- Turn the fuel valve to the “OFF” position.
- Apply a small amount of oil to the threads on the fuel tank filler neck and reinstall the cap.
- Once the fuel has completely drained from the system, reinstall the drain plug into the carburettor.
- Turn the fuel valve to the “OFF” position.
- Apply a small amount of oil to the threads on the fuel tank filler neck and reinstall the cap.
- Change the engine oil.
- Remove the spark plug and pour a small amount of oil into the cylinder.
- Reinstall the spark plug, but do not reinstall the spark plug cap
- Pull the starter handle 3 times to distribute the oil over the cylinder walls.
- Remove the battery and place it in storage. Periodically check the battery and charge it as needed.
- Move the generator to the storage location and cover it

Preparing the Generator for Use After Storage:

- Ensure the fuel valve is in the “ON” position.
- Check that the fuel tank is filled with fresh fuel. If necessary, add fuel stabiliser to prevent the gasoline from degrading.
- Inspect the generator for any damage that may have occurred during storage.
- Reinstall the battery and check its charge. If needed, charge the battery before use.
- Check the oil level and add oil if necessary.
- Reinstall the spark plug cap.
- Start the generator and let it run for a few minutes to ensure proper functioning.

THREE-PHASE USAGE

Single-Phase Load Usage:

When using a single-phase load, ensure that you use the wiring from the single-phase socket on the panel.

Simultaneous Use of Three-Phase and Single-Phase Loads:

When using both three-phase and single-phase loads simultaneously, the single-phase load should not exceed one-third of the generator's rated power. If the single-phase load exceeds one-third of the rated power, the three-phase load should not be used simultaneously.

Using a 230/400V Electric Welder (with Two Live Lines for 400V Type):

For a 230/400V electric welder, ensure the load is taken from the L1 (red) and L2 (brown) lines of the three-phase socket or from the U and V phase wiring terminals on the panel. It is recommended to use the wiring from the single-phase socket for welding, provided the load power exceeds that of the two live lines for the 400V type.

Three-Phase Load and Electric Motor:

If a three-phase electric motor fails to start and produces a humming noise, immediately turn off the circuit breaker and check for phase loss in the three-phase system.

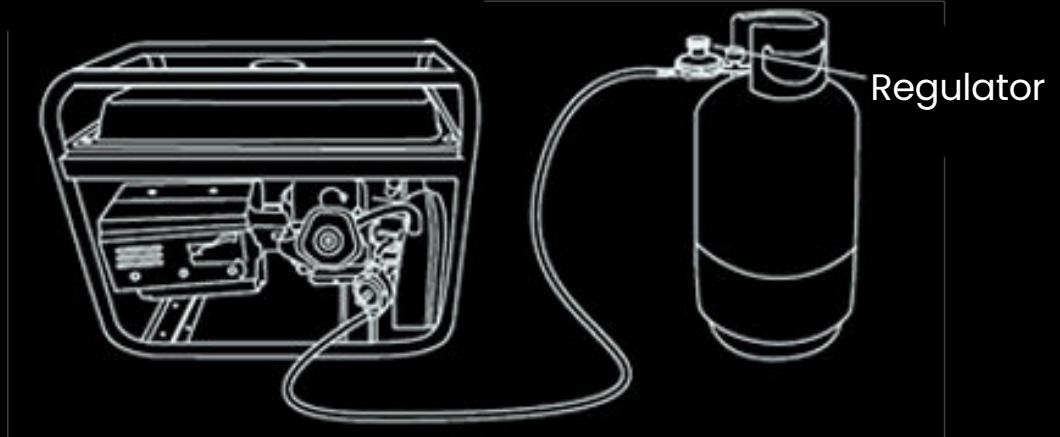
Switching Between Single-Phase and Three-Phase Power:

If the panel has a single/three-phase switch, it is recommended to turn off the circuit breaker first, rotate the switch, and then turn the circuit breaker back on to load the device. Switching the power source with the load on is not advised.

SWITCHING FUEL TYPE

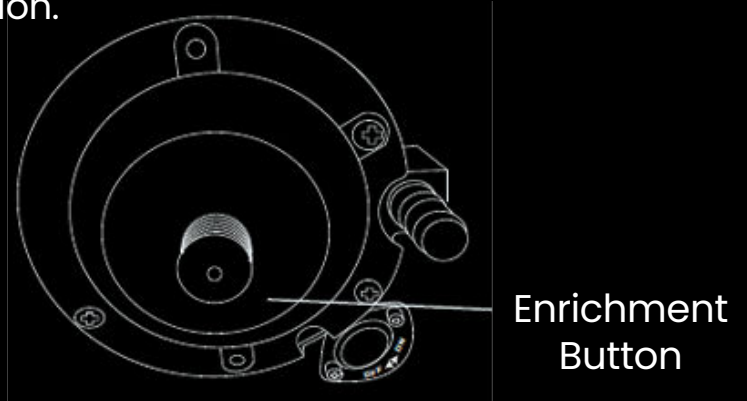
Automatic Switching of Fuel Type:

Connect the pressure regulator to your gas supply (propane or liquefied petroleum gas LPG).



2. Ensure the hose is firmly and securely connected to the brass barbed gas hose fitting before opening the gas supply valve on the bottle. Most LPG/propane bottles are pre-fitted with a regulator set to 2.8 kPa, which is the standard delivery pressure for safe operation. No further adjustment is typically required.

Note: To start the engine, first close the fuel choke valve, then pull the recoil starter handle until the engine starts. Once running, open the fuel choke valve to allow normal operation. In cold weather, press the enrichment button a few times before starting to aid ignition.



3. When switching from gas (propane/LPG) to petrol, open the fuel choke valve located at the rear of the generator, and close the gas valve on the bottle. The generator will automatically switch to petrol mode.

4. When switching from petrol to gas (propane/LPG), close the fuel tank valve at the rear of the generator and open the gas valve on the bottle. The generator will automatically switch to gas (propane/LPG) mode.

SWITCHING FUEL TYPE

Manual Switching of Fuel Type:

a) Switching from Gas (Propane & LPG) to Petrol Operation:

1. Open the fuel choke valve.
2. Close the gas valve.
3. The generator will operate on petrol as normal.

b) Switching from Petrol to Gas (propane/LPG):

Method 1:

1. Turn off the generator.
2. Close the fuel choke valve.
3. Unscrew the carburettor drain screw and allow all remaining petrol to drain completely.
4. Re-tighten the drain screw.
5. Open the gas valve on the gas bottle.
6. Start the generator as normal.

Method 2:

1. Close the fuel choke valve.
2. Keep the generator running until it uses up all the fuel in the carburettor and shuts down.
3. Open the gas valve on the gas bottle.
4. Start the generator as normal.

TECHNICAL SPECIFICATIONS

GP5500E-DF







TECHNICAL SPECIFICATION



Model	GP5500E-DF
Maximum Watts	5500w
Running Watts	5000w
Fuel Type	Petrol/Propane Gas
Weight (kg)	91kg
Fuel Tank Capacity (litres)	25L
Oil Capacity (litres)	1.1L
Starting System	Recoil/Electric/ Wireless Remote
Frequency	50Hz
Dimensions (mm)	710*465*485mm

† Please ensure the correct model is referenced when reviewing technical specifications, as features & performance may vary between models.

KEY FEATURES

-  **DUAL FUEL**
Runs on petrol or propane for greater flexibility, extended runtime, and improved efficiency.
-  **ELECTRIC/REMOTE START**
Effortlessly start your generator from a distance, adding convenience and ease of use.
-  **ECONOMY MODE**
Automatically adjusts engine speed to reduce fuel consumption, noise, and emissions.
-  **LOW OIL SHUT OFF**
Protects the engine by automatically shutting off when oil levels are too low.

PANEL CONNECTIONS

-  **GROUND TERMINAL**
Provides a secure earth connection for improved safety and compliance with regulations.
-  **240V 16A SOCKET**
Designed for heavy-duty applications, offering increased power capacity for demanding equipment and tools.
-  **2 x 120V 16A SOCKETS**
Designed for heavy-duty industrial applications, this socket provides lower voltage for compliance with building site regulations.





equip2clean[®]
A proud subsidiary of **equipmart**

TECHNICAL SPECIFICATIONS

GP6500E-DF



KEY FEATURES

-  **DUAL FUEL**
Runs on petrol or propane for greater flexibility, extended runtime, and improved efficiency.
-  **ELECTRIC/REMOTE START**
Effortlessly start your generator from a distance, adding convenience and ease of use.
-  **ECONOMY MODE**
Automatically adjusts engine speed to reduce fuel consumption, noise, and emissions.
-  **LOW OIL SHUT OFF**
Protects the engine by automatically shutting off when oil levels are too low.

TECHNICAL SPECIFICATION

Model	GP6500E-DF
Maximum Watts	6500w
Running Watts	6000w
Fuel Type	Petrol/Propane Gas
Weight (kg)	93kg
Fuel Tank Capacity (litres)	25L
Oil Capacity (litres)	1.1L
Starting System	Recoil/Electric/ Wireless Remote
Frequency	50Hz
Dimensions (mm)	850*565*620mm

† Please ensure the correct model is referenced when reviewing technical specifications, as features & performance may vary between models.

PANEL CONNECTIONS

-  **GROUND TERMINAL**
Provides a secure earth connection for improved safety and compliance with regulations.
-  **240V 16A SOCKET**
Designed for heavy-duty applications, offering increased power capacity for demanding equipment and tools.
-  **2 x 120V 16A SOCKETS**
Designed for heavy-duty industrial applications, this socket provides lower voltage for compliance with building site regulations.





equip2clean[®]
A proud subsidiary of **equipmart**

TECHNICAL SPECIFICATIONS

GP8300E-DF



KEY FEATURES




-  **DUAL FUEL**
Runs on petrol or propane for greater flexibility, extended runtime, and improved efficiency.
-  **ELECTRIC/REMOTE START**
Effortlessly start your generator from a distance, adding convenience and ease of use.
-  **ECONOMY MODE**
Automatically adjusts engine speed to reduce fuel consumption, noise, and emissions.
-  **LOW OIL SHUT OFF**
Protects the engine by automatically shutting off when oil levels are too low.

TECHNICAL SPECIFICATION

Model	GP8300E-DF
Maximum Watts	8300w
Running Watts	8000w
Fuel Type	Petrol/Propane Gas
Weight (kg)	95kg
Fuel Tank Capacity (litres)	25L
Oil Capacity (litres)	1.1L
Starting System	Recoil/Electric/ Wireless Remote
Frequency	50Hz
Dimensions (mm)	850*565*620mm

† Please ensure the correct model is referenced when reviewing technical specifications, as features & performance may vary between models.

PANEL CONNECTIONS

-  **GROUND TERMINAL**
Provides a secure earth connection for improved safety and compliance with regulations.
-  **240V 16A SOCKET**
Designed for heavy-duty applications, offering increased power capacity for demanding equipment and tools.
-  **2 x 120V 16A SOCKETS**
Designed for heavy-duty industrial applications, this socket provides lower voltage for compliance with building site regulations.

equip2clean[®]
//A proud subsidiary of **equipmart**

TROUBLESHOOTING

Issue:	Possible Cause:	Solution:	Check:
Engine Will Not Start	Generator switch in the off " 0 " position	Turn the generator switch to the correct position.	Start the engine.
	Choke knob in the wrong position	Place the choke knob in the correct position.	
	No fuel	Fill the fuel tank.	
	Bad or contaminated fuel	Check the fuel.	
	Not enough oil in the engine	Check the oil level. If low, add the recommended oil.	
	Dirty air filter	Clean the air filter.	
	No fuel at the carburetor	Make sure the fuel switch is in the on " I " position.	
	Engine flooded	Wait 5 minutes.	
	No spark	Replace the spark plug.	
	For electric start, start the engine using the recoil starter.	If the generator starts, check the battery. If the battery is providing less than 12.4 volts, replace the battery.	
If the engine still will not start:	Take the unit to an authorized service provider.		
Engine Runs Rough (no load)	Dirty air filter	Stop the engine and check the air filter. Clean if needed.	Start the engine / check if it runs rough
	Choke knob in the wrong position	Place the choke knob in the correct position.	
	If the engine still runs rough:	Take the unit to an authorized service provider.	
Engine Shuts Down	Out of fuel	Check the fuel. Fill the tank if necessary.	Start the engine / check if it shuts down.
	Not enough oil in the engine	Check the oil level. If low, add the recommended oil.	
	Dirty air filter	Clean the air filter.	
	Generator overloaded	Unplug some of the devices.	
	If the engine still shuts down:	Take the unit to an authorized service provider.	
Engine Runs Rough (with load)	Dirty air filter	Stop the engine and check the air filter. Clean if needed.	Start the engine / check if it runs rough.
	Generator overloaded	Unplug some of the devices.	
	Defective device plugged in	Unplug defective device.	
	If the engine still runs rough:	Take the unit to an authorized service provider.	
Engine Runs, But Generator Does Not Provide Power	Circuit breaker is open	Close the circuit breaker.	Start the engine / check for power.
	Bad connection	Stop the engine and check the connections.	
	Defective power cord	Replace the cord.	
	Defective device plugged in	Unplug defective device.	
	If there is still no power:	Take the unit to an authorized service provider.	

WARRANTY



Commercial and Industrial
12 Months Limited*



Domestic and Residential
3 Years Limited*

We stand behind the quality and reliability of our generators, ensuring you have a dependable solution for your power needs.

Comprehensive Coverage: Our warranty protects you against any manufacturing defects, providing full support for repairs or replacements.

Reliable Performance: Our generators offer consistent, high-quality power, backed by our trusted warranty.

Customer Support: Should any issues arise, our dedicated customer service team is always on hand and ready to help with hassle-free assistance to offer solutions. Customers need to show proof of purchase when claiming warranty.

Warranty Exclusions:

Normal wear and tear and user misuse.

Any modifications made to the generator will void the warranty.

Cosmetic defects.

Fuel system damage or engine performance problems resulting from contaminated fuel due to poor storage.

Damage by accident, impact, improper installation, or storage.

Damage by water ingestion, submersion, and external water damage.

Damage caused by frost or overheating from excessive ambient temperatures or lack of ventilation.

Damage from overloading or underloading.

Fuel-related problems (contaminated or stale fuel, incorrect fuel/oil mixture, incorrect fuel type).

Please bear in mind, warranties are not transferable.

If the product develops a fault within 30 days, we will either repair the product, replace it with a like-for-like product, or offer a refund. If we replace the product, please allow us 14 working days to inspect the original product. If there is no fault found, the original will be returned, and the carriage will be chargeable.

AFTERCARE & SUPPORT

Thank you for choosing the GP8300E-DF, GP6500E-DF, or GP5500E-DF generator, brought to you by equip2Clean®.

If you have any questions, need support, or encounter any issues with your product, our team is here to help.

Equipmart Ltd

Kiam House


Birchill Road

Knowsley Ind. Park North

Merseyside

L33 7TD

United Kingdom

 (+44) 0151 548 5500

 contact@equip2clean.co.uk

 www.equip2clean.co.uk





Equipmart Ltd
Kiam House
Birchill Road
Knowsley Ind. Park North
Merseyside
L33 7TD
United Kingdom

T: (+44) 0151 548 5500
E: contact@equip2clean.co.uk

© Equipmart Ltd
www.equip2clean.co.uk