



ENGLISH

SVENSKA

FOR MODELS:

6000S, 6000S3, 65000SV, 65000SV3

TECHNICAL SUPPORT: +44 (0)1942 715 407

SAVE THESE INSTRUCTIONS. This manual contains important safety precautions which should be read and understood before operating the product. Failure to do so could result in serious injury. This manual should remain with the product.

Specifications, descriptions and illustrations in this manual are as accurate as known at the time of publication but are subject to change without notice.

INTRODUCTION

Thank you for purchasing our product.

This product is guaranteed against faulty manufacture for a period of 24 months from the date of purchase. Please keep your receipt as proof of purchase.

This guarantee is invalid if the product is found to have been abused or tampered with in any way, or not used for the purpose for which it was intended. **Faulty goods should not be returned to the place of purchase**, the generator should be returned to the supplier of the product. No product can be returned without prior permission. This guarantee does not affect your statutory rights.

When contacting WPE about parts and/or service, you will need to supply the complete model and serial numbers of your product. Transcribe the information found on your product’s nameplate label to the table below

WPE TECHNICAL SUPPORT TEAM
44(0)1942 715 407
MODEL NUMBER
SERIAL NUMBER
DATE OF PURCHASE
PURCHASE LOCATION

IMPORTANT

1. Children should be kept at a safe distance from the generator and NEVER allowed to operate it.
2. Your new generator needs a break in period of approx. 10 hours with NO more 75% maximum load being applied. After first 10 hours the oil MUST be changed, recommended oil 10W30 low or Non Synthetic.
3. Don’t touch the engine or muffler while generator is in operation. Please pay attention to warning and caution stickers on the generator.
4. Electrical equipment (including cable and plug connecting component) should be in good condition before starting and inspected prior to use.
5. If replacing circuit breaker it must be equivalent or better in specification of the one to be removed.
6. Due to high mechanical stress, only rubber sheathed cables are recommended to be used.
7. When using extension cords or mobile distribution cabinet, the wire with 1.5mm² cross section should not be longer than 50 metres; and for 2.5mm² cross section wire should not be longer than 100 metres in length.
8. With manual starting, always use decompression lever. (ONLY on Open Frame Type)
9. On standard working ambient conditions (minus 5 to 40 degree Centigrade), the generator can be operated at normal running loads. If the working condition of circumstance are not normal either too high or too low, the generator should be run at a lower output of no more than 75% maximum load. When temperature, altitude and humidity is higher than standard working condition, the generator MUST reduce the output load to no more than 75% maximum load.
10. Before any inspection or maintenance of the generator, the engine must be stopped and allowed to cool for a minimum 30 minutes. Check and maintain the generator according to the period table and schedule sheet in the manual.
11. Except the daily maintenance or cleaning, any inspection or readjustment should be conducted by authorized professional person and source the requested original components by them from the supplier. (Contact your local dealers).
12. Your newly overhauled machine must endure a breaking-in period of at least 10 hours, the output should not exceed 75% of the maximum load.

FEATURES

WPE Diesel generator possesses the following features:

This series diesel generator adopts super-light type, air cooled, 4-stroke direct injection diesel engine and has two starting options:

1. Recoil start
2. Electric start.

They are equipped with large capacity fuel tank, circuit protector, A.C and sometimes D.C voltage outputs, low oil pressure alarm and automatic stopping device.

The diesel generator serves as an UPS stand-by power supply in many different applications including open working site, construction and field army. Emergency power of poultry farm, fishery, forestry, garden, hotel, shop, and office.

This operation manual tells you how to operate and service your new diesel generator. Please read it before using the diesel generator to ensure proper handling and operation. Following these instructions carefully will keep your diesel generator in the best working condition, allowing to prolong the life of your diesel generator.

If you have any questions concerning your new product or any of the information given in this manual, please contact 44(0)1942 715 407.

PARAMETERS

The generators can generate specified power when used in the following conditions:

Altitude: < 1000m

Ambient Temperature: 5 to 40°C

Relative humidity: <90%

WARNING

Exhaust/mufflers and gases are very hot to touch. DO NOT add or install any exhaust/muffler extensions, by doing so you will void any warranty offered.

Preventing burns

NEVER touch or handle exhaust/muffler, engine when generator is running or hot, always leave approx 30 minutes for the exhaust/muffler & engine to cool before handling.

IMPORTANT

Please read and understand this operation manual to insure safe operation, and pay high attention to the following main points of operation otherwise it may cause personal injury and damage to equipment.

Preventing fires

The fuel of diesel engine is light diesel fuel, so gasoline, kerosene etc. must NEVER be used.

Wipe away all fuel spills with a clean cloth. Keep gasoline, kerosene, matches and other explosives and inflammable substance away from the generator, because the temperature around the exhaust muffler is very high during operation. To prevent fire hazards and to provide adequate ventilation, keep the generator at least 1.5 meter away from buildings, structures and other equipment during operation.

Operate the generator on a flat level surface, there may be fuel spillage or poor operation if the generator is tilted.

Preventing exhaust gas inhalation

Exhaust gas contains poisonous carbon monoxide. Always use the generator in outdoor locations minimum 1.5m away from window, doors or opening.

Generators MUST never be used indoors, in garages, cabins, out building, sheds or any confined spaces including vehicles and vehicle compartments.

Electric shocks, short circuits

In order to avoid electric shocks or short circuit, do not touch the generator, when either it or your hands are wet.

This generator is not waterproof, so it should NEVER be used in a place exposed to rain, snow or water sprays. The generator should be ground to prevent electric shocks. Please connect a length of heavy wire between the generator's ground terminal and an external ground device, ground rod or stake - minimum 200mm deep.

Do not connect any equipment to the generator before you start it.

WARNING

Most appliance motors require more than their rated wattage for start up. Do not exceed the current limit specified for any one socket.

Charging the battery

Battery electrolyte contains sulphuric acid. Protect your eyes, skin and clothing. In case of contact, flush thoroughly with water and get prompt attention, especially if your eyes are affected.

Batteries generate hydrogen gas, which can flames or sparks near a battery, especially during charging.

Charge the battery in a fully ventilated area.

⚠ WARNING

Know how to stop the generator quickly, and understand how to operate all of the controls. Never permit anyone to operate the generator without proper instruction.

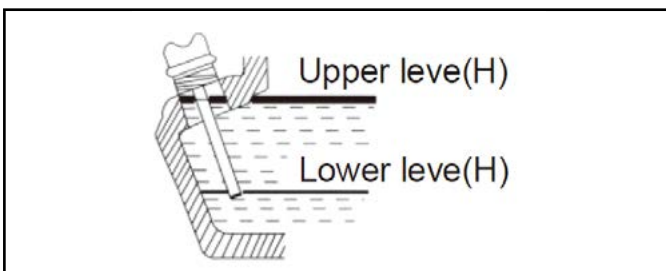
Always wear a helmet, safety shoes and proper clothing. Keep pets and children away from the generator when it is in operation.

PREPARATION BEFORE START**Selection and handling of fuel**

- Only light diesel fuel can be used.
- The fuel must be filtered.
- Fuel should be free of water or dust because these can contaminate the fuel injection system.
- Do not overfill the tank beyond the top of the red plug inside the fuel tank filter, use fuel gauge on top of tank.
- Do not smoke and allow sparks in the area where the engine is refueled or where gasoline is stored.
- Do not spill fuel when refueling, make sure the filter cap is securely closed.

Selection and handling of oil

- Set the generator on a level surface.
- Fill the engine oil into the inlet.
- To check the oil level, simply dip the dipstick into the pan. Do not screw in the dipstick when checking.

**🗨 NOTICE**

Nothing affects the performance and durability of the generator more than the oil you use. If inferior oil is used or if your engine oil is not changed regularly, the risk of piston seizure, piston ring sticking and accelerated wear of the cylinder liner, bearings and other moving components increase significantly.

- Make sure to check the oil level and to refill with oil to the specified level before starting the generator, even

though it is equipped with a low oil pressure warning system.

- If your generator doesn't start by the 5th attempted or starts and cuts out, your oil level is too low and needs to be topped up.

🗨 NOTICE

Oil should be changed after the first 20 hours (or 1 month) of use and then every 3 months or 100 hours of use.

Be sure to drain the oil while the engine is warm but not hot. It is difficult to drain the oil completely after cooling.

⚠ WARNING

NEVER add or attempt to change oil into the generator while the engine is running.

Check air filter

- Loosen the wing nut, detach the cover of air cleaner and remove the element. Do not wash air cleaner element with detergent. Use water or petrol (MUST allow to dry before replacing).
- The air cleaner element must be changed when the output of engine decreases or the color of exhaust is abnormal.
- Never run the generator without the air cleaner element. This may cause rapid engine wear.
- Reattach the cover of air cleaner and tighten the wing nut.

Ensure no load on generator

- Turn off the main circuit breaker and any other loads.
- Be sure to turn off the main circuit breaker before starting the generator. If the switch is not on the "OFF" position, sudden application of load could be very dangerous, when the diesel engine is started.
- The generator should be earthed to prevent electric shocks. (Recommended).

Handling of dual voltage type generator

- Operation of change over switch: The AC circuit breaker on the control panel must be set to 'OFF' position before running the machine. After starting the generator, allow the speed to reach rated RPM and then turn the AC circuit breaker to the "ON" position, so that the receptical sockets can be used for operating equipment.

- NEVER try to switch between voltages when the AC circuit breaker is ON and equipment plugged IN.
- Set the main AC circuit breaker to the "OFF" position when using the 12v DC power supply.

Check for Airlock

WARNING

The FUEL and engine OIL are drained off by factory prior to transportation. Generators are dry for storage.

- Check for airlock in fuel pipeline, and find whether there is air mixed into the pipeline, if yes, drain away the air from the pipeline before refuel and start the diesel engine.
- Fuel filter should be minimum 75% full, if not then air may be present in system.
- The method to remove is, loosen the 17mm gland nut connection between injecting pump and high pressure brass pipeline, put run lever to "RUN" position and turn over the engine until fuel starts to jet out.
- Replace and re-tighten 17mm gland and repeat the process if engine still does not start.

OPERATION

Low oil warning system

- Device works to stop the engine automatically when the oil pressure falls below the regulatory level and will prevent engine seizure when the engine oil is running low or engine pressure is lost.
- The oil temperature will rise high if the engine is operated with insufficient engine oil. On the other hand, too much oil is dangerous because the oil may combust and cause a sudden and excessive rise in engine rpm, so before operating the machine each day be sure to check the oil and fill oil to the specified level if necessary.

Opening the cabinet door and cover.

Opening the cabinet door and raise the door and check daily.

1. Turn the handle anticlockwise to open cabinet door.
2. Turn the handle clockwise to lock cabinet door.

Break-in operation

While your generator is still new, application of heavy loads may shorten the life of the engine. Follow the break-in procedures during the first 20 hours.

1. Avoid applying any heavy load during the break-in period.
2. Change engine oil regularly. Change the engine oil every 20 hours or one month after the initial use, and every 3 months or 100 hours thereafter.

Starting the generator

Recoil start (Open Frame Type Only)

1. Open the fuel cock (at the "ON" position).
2. Put the engine speed lever in the "RUN" position.
3. Pull out the recoil starting handle.
4. Pull out the handle to the point where your hands feel strong resistant and then return it to the initial position.
5. Push down the decompression lever. (It will return automatically when the recoil starter is pulled).
6. Pull out the recoil starting handle briskly with both hands.
7. Do not allow the handle grip to snap back against the engine. Return it gently to prevent damage to the starter.

WARNING

NEVER pull out or touch the recoil when the diesel engine is running, otherwise it will damage the engine.

8. In cold weather, when diesel engine is difficult to start, remove the plug from the rocker arm cover and add 2 cc of engine oil.
9. Replace the plug before starting.
10. Always keep the red plug in the cover except when adding oil, otherwise rain, dirt and other contaminants may enter the engine and cause accelerated wear of internal engine parts. This in turn can cause serious problems.

Electric Start

1. Turn ignition key clockwise to 'ON' position.
2. Put the engine speed lever in the "RUN" position.
3. Turn the ignition key clockwise to "Start" position.
4. Release your hand from the key as soon as the engine starts and let the key return automatically to initial 'ON' position.

5. If the starter motor doesn't engage and turn over the engine after 10 seconds, please wait for about 30 seconds before attempting to start again and repeat this process..

WARNING

Please Note: If the starting motor is run for too long it will flatten the battery.

Always leave the starting key turned 1 position, in the "ON" position, while the engine is running.

Battery

Check the level of the fluid in the battery once every month. When the level drops to the lower upper mark replenish with distilled water up to the upper mark.

If battery fluid is low, the engine may fail to start because too little electricity is reaching the starter motor. Always keep the fluid level between the upper level and lower level.

If too much battery fluid is applied, the fluid may spill and corrode the surrounding parts. DO NOT over fill.

Batteries are only covered by a 1 year warranty from original date of purchase.

Operating your generator

1. Warm up the engine without load for about 3 minutes.
2. Our generator is equipped with low oil warning system. The engine will stop automatically in case of low oil pressure or a lubrication oil shortage. The engine will stop immediately if restarted without a lubrication oil refill. To check the oil level and refill
3. Do not loosen or readjust either the engine speed limiting bolt or fuel injection limiting bolt (They have been factory set) otherwise performance and fuel economy will be affected.

Check during operation

1. (Any abnormal sound or vibration?)
2. The engine misfiring or running rough.
3. What about the color of the exhaust gas? (Is it black or too white?)

If you notice any of the above phenomenon, stop the engine and consult your nearest dealer or contact technical support on 44(0)1942 715 407.

AC Operation

1. Start the engine and make sure the 'GREEN' pilot lamp turns on. If it does not, the filament may be burnt out.

2. The speed of generator must reach rated speed (lever at top).
3. Generator can load when the indicator of voltmeter shows at $240\pm 10\%$ (50Hz) on the panel of control box.
4. Plug in the appliance.

WARNING

Do not start two or more machines simultaneously. Start them one by one. Do not use floodlights together with other machines.

5. Be sure that all pieces of equipment are in good working condition before connecting them to the generator.
6. If an appliance or piece of equipment begins to operate abnormally, becomes sluggish, or stops suddenly, turn off the generator immediately. Then disconnect the appliance and examine it for signs of malfunction.
7. If overloading of the circuit trips the AC circuit protector, reduce the electrical load on the circuit, and wait a few minutes before resuming operation .
8. If the LCD display voltmeter is too low or too high, stop the machine and examine it for cause of fault..

DC Operation

The DC terminal may be used for charging 12V automotive type batteries only.

1. When using automotive-type batteries with battery cables, be sure to disconnect the minus pole battery cable from the battery before charging.
2. Start the engine.
3. Connect the charging cable to the battery terminals and the DC terminals of generator.

Connect the positive battery terminal to the positive generator terminal. Do not reverse the charging cables, or serious damage to the generator and/or battery may occur.

Do not allow the free ends of the cable to touch each other. If this occurs, it will be short circuit the battery

When a large capacity battery is charged, excessive current flows(the value varies depending on the discharging condition) , and the fuse for the direct current will blow.

4. Batteries produce explosive gases. Keep sparks, flames and cigarettes well away. To prevent the possibility of creating a spark near the battery, always connect the charging cables to battery first and only then to the generator. When disconnecting,

you should disconnect the cables at the generator first.

5. Charge the battery in a well ventilated place. Before charging, remove the cap from each cell of the battery. Discontinue charging if the electrolyte temperature exceeds 45°C.

⚠ WARNING

Do not attempt to start an automobile engine while the generator is still connected to the battery.
NEVER try to use both DC 12 volt and AC at the same time.

Stopping the generator

1. Turn off the AC circuit breaker.
2. Leave the engine speed lever in the "RUN" position, operate the engine without load for approx 3 minutes, DO NOT stop the engine suddenly because this may cause the temperature to rise abnormal and cause the nozzle to damage and seize the engine.
3. Push down the stop lever or Turn the ignition key anticlockwise to "OFF" position .

⚠ WARNING

If the engine keeps on running even after the speed lever is pressed at the "Stop" position, turn the ignition key to 'OFF' position. NEVER try to stop the engine with the decompression lever (Open Frame Type Only)

Remote Control (If Applicable)

Generator can be started or stopped remotely using a wireless transmitter

1. Ensure lever is in 'RUN' position
2. Turn ignition key to 'ON' position (1 Clockwise Turn).
3. To start engine, press and hold button 'A' on transmitter for approx. 3-5 seconds.
4. If generator does start check 1-2 and retry.
5. To stop engine press 'B' button on transmitter
6. Turn ignition key to 'OFF' position (1 Anti-clockwise Turn)

⚠ WARNING

After the generator is stopped or not in use you MUST turn the ignition key to the 'OFF' position otherwise battery will flatten over time.

⚠ WARNING

If Generator doesn't start after 3 attempts, steps 1-3 need to be REPEATED as well as general maintenance of oil level and fuel level need to be checked.

Never allow anybody other than the owner or user to remotely start or stop the generator using the wireless transmitter. Constantly starting and stopping the generator will damage electric/ electronic components or equipment and also will cause increased engine wear.

If the generator doesn't not start at all after many attempts there may be malfunction or fault and you will need to contact your local service centre on 44(0)1942 715 407.

EN

MAINTENANCE

Periodic check and maintenance are very important for keeping the engine in good condition. Please read the detailed description of operating manual for each part.

Shut off the engine before performing any maintenance. If the engine must run, make sure the area is well ventilated. The exhaust contains poisonous carbon monoxide gas.

After the engine has been used, clean it immediately with a cloth to prevent corrosion and remove sediment.

DAILY

- Check oil level
- Check and replenish fuel
- Check for oil leakage
- Check and tighten and engine parts if loose

FIRST 20 HOURS

- Change oil
- Drain fuel tank
- Adjust valve clearance for intake & exhaust valves*
- Lap intake & exhaust valves*

MONTHLY

- Check battery fluid
- Check air filter

EVERY 100 HOURS OR 3 MONTHS

- Chain oil
- Clean oil filter

EVERY 300 HOURS OR 6 MONTHS

- ☐ Tighten head bolts on engine*
- ☐ Replace oil filter
- ☐ Replace air filter
- ☐ Clean fuel filter
- ☐ Check fuel injection pump*
- ☐ Check fuel injection nozzle*
- ☐ Check fuel pipe
- ☐ Adjust valve clearance for intake & exhaust valves*

EVERY 1000 HOURS OR ANNUALLY

- ☐ Replace fuel filter
- ☐ Lap intake & exhaust valves*
- ☐ Replace piston rings*

EVERY 3 YEARS

- ☐ Replace fuel line*

*Special tools or skills are required - please do not attempt yourself - consult Technical Support on 44(0)1942 715 407.

Changing engine oil (Every 100Hrs)

Remove the oil filler cap. Remove the drain plug and drain the used oil while the engine is still warm. The oil drain plug is located on the bottom of the engine block next to the oil filter. Tighten the drain plug and refill with the recommended oil 10W30 Non or part synthetic.

Cleaning the oil filter (Every 300 hours)

Undo the 10mm bolt and Remove the oil filter (located at the bottom of the engine block next to the oil drain plug). Clean with water or petrol and DO NOT use any detergents.

Changing the air cleaner element (every 300 hours)

Do not wash the air cleaner element with detergent because this is a dry type element use water or petrol. Allow to dry fully before replacing it.

⚠ WARNING

Never start the engine without the element, or with a defective element. Change the element in time

Cleaning and replacing the fuel filter (Every 300 hours)

The fuel filter also has to be cleaned regularly to insure maximum engine efficiency .

1. Drain the fuel (diesel) from the fuel tank.
2. Loosen the small clips on the hoses. Remove fuel filter and Wash through thoroughly with diesel fuel

(ONLY). Remove the lock nut, end cap and diffuser discs and clean the carbon deposit.

Checking and replenishing battery fluid and charging and battery (Monthly)

This diesel engine uses a 12v battery. The battery fluid will be lost through continuous charging and discharging.

Before starting , check for physical damage to the battery and also the electrolyte level, and replenish with distilled water up to the upper mark if necessary. When actual damage is discovered , replace the battery immediately. Batteries are covered by 12 months warranty from the original date of purchase.

STORAGE

If your generator should be stored in long time, the following preparation should be made.

1. Operate the diesel engine about 10 minutes with NO load and stop it.
2. Wait approx. 10 mins when the engine is still warm, drain engine oil out, then refill new 10W30 engine oil.
3. Pull out the red plug on the cylinder head cover of diesel engine and add 2ml of lubricate oil in cylinder, and finally put the red plug back it to original place.
4. Maintenance of starting position
 - Manual starting (Open Frame Type Only)
 - Put the lever to the 'RUN' position
 - Press the red pressure-reduce handle (non-compression position), pull the recoil handle 2-3 times. (Don't start diesel engine).

TROUBLESHOOTING

Problem	Cause	Solution
Engine will not start.	No fuel.	Add fuel.
	The switch is not at "ON" position	Turn it to "ON" position
	The high pressure fuel pump, injection nozzle cannot inject or the fuel amount is insufficient.	Remove the injection nozzle out and repair it or bleed the fuel injection system.
	The control lever of speed is not at "RUN" position	Put the control level to "RUN" position
	Check oil level	Add oil if needed
	The speed and force to pull the recoil starter is not enough	Start the diesel engine according to the requirements of operating procedure of start
	The injection nozzle is dirty or blocked	Clean or replace injection nozzle
	The battery is flat	Recharge or replace
Engine will not start with Remote Control.	Ignition key is not in the ON position	Check steps 1-3 on RC instructions
	Lever not in to RUN position	Check steps 1-3 on RC instructions
	Oil or fuel level low	Add oil or fuel if needed
Engine is running but no output.	AC circuit breaker is turned 'OFF'	Put the main AC switch to the "ON" position
	The contact of socket is not good	Adjust the feet of socket
	The rated speed of generator cannot be reached	Adjust engine governor according to the requirements
	Other.	Contact Technical Support 44(0)1942 715 407.

NOTE: When welding, if you find the electricity is too large for welder or the engine shuts down by overload during welding, it may cause by the AVR's regulator to damage or short circuit.

TECHNICAL SPECIFICATIONS

MODEL:	6000S	6500S	6000S3	6500S3
Type	Single Phase A.C		Three Phase A.C	
Frequency (Hz)	50	50/60	50	50/60
Rated Power (kW)	4.5	5.0/5.5	5.6kVA	6.3/6.9kVA
Max Power (kW)	5.0	5.5/6.0	6.2kVA	6.9/7.5kVA
Voltage (A.C)	110, 115, 220, 230, 240, 11/220, 115/230, 120/240		240/415	
Voltage (D.C)	12V			
Current (D.C)	6A			
Power Factor	1.0		0.8	
Phase Number	Single Phase		Three Phase	
Pole Number	2			
Excitation	Self-excitation			
Insulation	G1			
Voltage Regulation System	Condenser compensating system			
Engine Type	186FA Euro 5: LA186FAG	188F Euro 5: LA186FAG	186FA Euro 5 : LA186FAG	188F Euro 5: LA188FG
Type	4 Stroke, single cylinder, air cooled, direct injection diesel engine			
Speed (rpm)	3000/3600 Euro 5: 3000		3000	3000/3600 Euro 5: 3000
Cont. Output (kW)	5.7/6.3 (Euro 5: 5.7)	6.6/7.2 (Euro 5: 6.3)	5.7/6.3 (Euro 5: 5.7)	6.6/7.2 (Euro 5: 6.3)
Bore x Stroke (mm)	86 x 72	88 x 78	86 x 72	88 x 78
Displacement (L)	0.418	0.474	0.418	0.474
Cooling System	Forced Air Cooled			
Lubrication System	Forced Lubrication			
Lube oil capacity	1.65	1.65	1.65	1.65
Start System	Electric Start			
Fuel	Diesel			
Fuel Capacity (L)	16	16	16	16
Low Pressure Alarm	Included			
Operation capacity (hr)	7.4/6.6	7.2/6.5	7.4/6.6	7.2/6.5
Acid battery capacity (AH)	24-36			
Care free battery capacity (AH)	17-36			
Nett Weight (kg)	150	154	150	154
Dimensions (L x W x H) mm	900 x 520 x 700	900 x 520 x 700	900 x 520 x 700	900 x 520 x 700

WARRANTY

We at Warrior understand the importance of warranty for service & repair, we are now offering a standard 2 Year (Warrior Diesel Generators) without the need for registering your purchase. We still have the option for product registration for customer who still would like to use the website and to keep in touch with ourselves.

Please view the limitations below and read the full T&C's about the warranty offered on a particular product.

All we require is the either a copy of the original proof of purchase or an invoice supplied from retailer at the time of purchase to enable the claim to be raised. Please keep your proof of purchase safe for the duration of your terms, in the unfortunate event you need our technical support we will ask for this to be provided on each claim, NO proof of purchase any warranty claim will be delayed or rejected.

Repair / Replacement Warranty

Warrior branded diesel generators warrants to the original purchaser up to 2 Years for domestic usage that the mechanical and electrical components will be free of defects in material and workmanship for a period of Year One (1) [Parts and Labour] Year Two (2) [Parts Only] from the original date of purchase or 1000 hours which ever comes first.

Industrial & Commercial Use One Year (1) [Parts and Labour] or 500 hours which ever comes first.

Transportation charges on any product submitted for repair or replacement under this warranty are the sole responsibility of the purchaser. This warranty only applies to the original purchaser and is not transferable.

Do Not Return the Unit to the Place of Purchase

Contact Warrior Technical Service and we will troubleshoot any issue via phone or e-mail. If the problem is not corrected by this method, Warrior will, at its option, authorise evaluation, repair or replacement of the defective part or component at our own Service Center. If and when an product has to be replaced it will be on a like for like basis not old for new. Warrior will provide you with a case number for warranty service and this can be monitored through your login account. Please keep it for future reference. Repairs or replacements without prior authorization, or at an unauthorized repair facility, will not be covered by this warranty. We do have warranty exclusions for customers outside the United Kingdom please see our full T&C's.

Warranty Exclusions

This warranty DOES NOT cover the following:

Normal Wear

Your product needs periodic parts and service to perform well. This warranty does not cover repair when normal use has exhausted the life of a part or the equipment as a whole.

Installation, Use and Maintenance

This warranty will not apply to parts or labour if your product is deemed to have been misused, neglected, involved in an accident, abused, overloaded beyond the generator's limits, modified, installed improperly or connected incorrectly to any electrical component or system. Normal maintenance is not covered by this warranty.

Other Exclusions

This warranty excludes:

- cosmetic defects such as paint, decals, etc.,
- worn parts including piston & rings, spark plugs, filters
- accessory parts including wheels & recoil assemblies
- failures due to acts of God and other force majeure events beyond the manufacturer's control
- problems caused by parts that are not original Warrior Power Equipment parts
- alteration or modification(s) made by any party other than the manufacturer including exhaust extension and filtration systems.
- all hoses plastic or rubber, reducing valves and regulators
- any third party electrical equipment

12v Battery

- All batteries supplied Over 1 Year Old.

Suitable Transfer Switch

Any MTS (Manual Transfer) & ATS (Automatic Transfer) systems other than ones supplied by ourselves under WARRIOR or Warrior will not be considered suitable and will invalidate all warranties given. Please contact us direct before installing any Transfer system.

Limits of Implied Warranty and Consequential Damage

Winch Solutions Ltd (CG) disclaims any obligation to cover any loss of time, use of this product, freight, or any incidental or consequential claim costs by anyone using this product.

THIS WARRANTY IS IN LIEU OF ALL OTHER WARRANTIES, EXPRESS OR IMPLIED, INCLUDING WARRANTIES OF MERCHANTABILITY OR FITNESS FOR A PARTICULAR PURPOSE.

A unit provided as an exchange will be subject to the warranty of the original unit. The length of the warranty governing the exchanged unit will remain calculated by reference to the purchase date of the original unit. This warranty gives you certain legal rights which may change from country to country. Your country may also have other rights you may be entitled to that are not listed within this warranty.

WARRIOR®

POWER EQUIPMENT

Användarmanual

Dieselelverk



FÖR MODELLERNA:

6000S, 6000S3, 65000SV, 65000SV3

Teknisk support: 0046 31280985

SAVE THESE INSTRUCTIONS. This manual contains important safety precautions which should be read and understood before operating the product. Failure to do so could result in serious injury. This manual should remain with the product.

Specifications, descriptions and illustrations in this manual are as accurate as known at the time of publication but are subject to change without notice.

INTRODUKTION

Tack för att du köpte vår produkt.

Denna produkt garanteras mot felaktig tillverkning under en period av 24 månader från inköpsdatumet. Förvara ditt kvitto som bevis på köp.

Denna garanti är ogiltig om produkten visar sig ha missbrukats eller manipulerats på något sätt eller inte använts för det syfte som den var avsedd för. Felaktiga varor ska inte returneras till inköpsplatsen, generatören ska returneras till leverantören av produkten. Ingen produkt kan returneras utan föregående tillstånd. Denna garanti påverkar inte dina lagstadgade rättigheter.

WPE TECHNICAL SUPPORT TEAM
0046 31280985
MODEL NUMBER
SERIAL NUMBER
DATE OF PURCHASE
PURCHASE LOCATION

VIKTIGT!

1. Barn bör hållas utom räckhåll från elverket
2. Ditt nya elverk kräver en inkörning under ca 10 timmar. Under dessa timmar skall elverket max belastas med 75%. Efter dessa 10 timmar **MÅSTE** ett oljebyte genomföras.
3. Rör inte motorn eller ljuddämparen medan elverket är i drift. Var uppmärksam på varningsklistermärken på generatören.
4. Elektrisk utrustning (inklusive kabel- och stickanslutningskomponent) bör vara i gott skick innan start.
5. Om byte av säkringar sker måste det vara lika eller bättre i specifikationen för den som ska tas bort.
6. På grund av hög mekanisk påfrestning rekommenderas endast gummihöljrade kablar att användas.
7. När du använder förlängningsladdar eller mobilt distribueringskåp ska ledningen med 1,5 mm² area inte vara längre än 60 meter; och 2,5 mm² kabelarea bör inte vara längre än 100 meter lång.
8. Vid vanliga arbetsförhållanden kan generatören drivas vid normala driftsbelastningar. Om arbetsvillkoren för omständigheterna inte är normala varken för högt eller för lågt, bör generatören köras med en lägre utgång. När temperatur, höjd och luftfuktigheten är högre än det normala arbetsförhållandet, **MÅSTE** elverket minska utgångsbelastningen.
9. Innan någon kontroll eller underhåll av generatören måste motorn stoppas och låta svalna. Kontrollera och underhåll generatören enligt periodtabellen och schemat i handboken.
10. Förutom det dagliga underhållet eller rengöringen, bör inspektion eller omjustering utföras av auktoriserad professionell person och originaldelar användas.
11. Din nya maskin måste genomgå en inkörningstid på minst 10 timmar, effekten ska inte överstiga 75% av den maximala belastningen under denna tid.

SV

FUNKTIONER

WPE Dieselelverk innehåller följande funktioner:

Serien med dieselelverk är av supertyst, lättvikt, luftkyld och direktinsprutad 4-takts motor. De är utrustade med två startsätt;

1. Dragstart med snöre
2. Elstart

Serien är utrustad med stora bränsletankar, säkringar, AC- och ibland DC-utgångar, låg oljelarm samt autostopp. Elverket kan fungera som en UPS där det automatiskt startar om elnätet försvinner på många olika platser och verksamheter.

Denna manual berättar hur du skall använda och sköta ditt elverk. Var vänlig läs igenom den i sin helhet och säkerställ att du är medveten om dess funktioner, reglage och risker innan användning.

Vid frågor går det bra att ringa 031-280985.

PARAMETRAR

Elverken ger specifierad effekt när följande parameterar uppfylls:

- Höjd över havet: <1000m
- Omgivningens temperatur: 5-40°C

VARNING

Avgasrör/ljuddämpare och avgaser är väldigt heta. Installera aldrig någon ty på förlängning på avgassystemet - om detta sker upphör garantin att gälla.

Undvik brännskador

Rör aldrig vid avgasrör, ljuddämpare eller motorn när den körs eller strax efter. Vänta alltid 30 minuter efter avstängning innan du vidrör något för att delarna skall hinna svalna.

VIKTIGT!

Vänligen läs och förstå instruktionerna i denna manual för att kunna använda ditt elverk på ett säkert sätt. Användande på fel sätt kan innebära skador på person och egendom.

Förebygga brand

Dieselmotorer kräver diesel som bränsle. Bensin och andra drivmedel skall INTE användas i detta dieselelverk.

Torka bort allt spillt bränsle efter tankning. Förvara inga lättantändliga vätskor eller material nära elverket då värmen från avgasröret kan antända dessa. För att undvika brand bör elverket ha minst 1,5m fritt utrymme på alla sidor vid användning. Elverket skall användas på en plan yta som inte är gjord av material som kan antändas.

Undvik att inandas avgaser

Avgaser innehåller den giftiga gasen kolmonoxid. Använd aldrig elverket i slutna utrymmen. Sörj för bra ventilation.

Undvika brännskador

Ta aldrig på ljuddämparen eller andra delar nära avgassystemet när elverket är igång eller nyss stoppat.

Elektriska stötar och kortslutning

För att undvika elektriska stötar och kortslutningar - undvik att ta i elverket med fuktiga händer eller när elverket självt är blött.

Elverket är inte vattentätt så det bör inte användas på platser där det kan utsättas för regn, snö eller annan väta.

VARNING!

De flesta förbrukare som du kopplar in kräver mer än deras nominella Watt vid start. Överskrid inte eluttagens effekt.

Ladda batteriet

Elektrolyten i batteriet innehåller syra. Skydda dina ögon, hud och kläder. I händelse av kontakt med kroppen - skölj noga med rent vatten och kontakta sjukvården vid behov.

Batteriet kan avge knallgas vilket är lättantändligt och kan antändas vid laddning.

Ladda batteriet i väl ventilerade utrymmen.

⚠️ VARNING!

Lär dig hur du stoppar elverket snabbt och hur reglagen fungerar. Låt aldrig någon använda elverket utan träning och/eller utbildning.

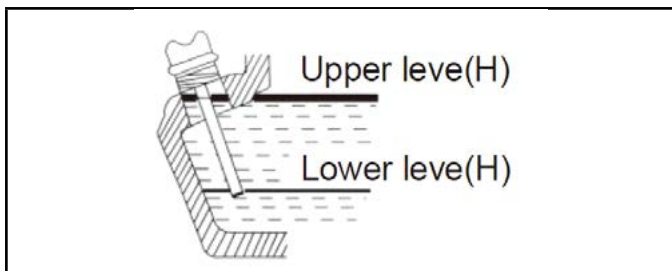
Använd alltid skyddkläder så som t.ex. hjälm, skyddsskor och bra klädesplagg i övrigt. Håll husdjur och barn borta från elverket när det används.

FÖRBEREDELSE INFÖR START**Drivmedel**

- Endast vanlig diesel som säljs för bilar skall användas.
- Drivmedlet skall vara fritt från vatten och smuts då detta kan skada bränslepump och insprutning.
- Dieseln måste filtreras
- Överfyll ej tanken. Fyll inte över den röda markeringen inuti tanken.
- Du skall absolut inte röka eller vara i närheten av gnistor, lågor eller andra källor till brand.
- En droppe diesel förstör en kubik rent vatten - spill inte! Säkerställ att tanklocket är ordentligt åtskruvat när du är klar..

Val och hantering av olja

- Ställ elverket på ett jämnt underlag.
- Ta bort locket med oljestickan och fyll på olja. Överfyll det ej.
- För att kontrollera oljenivån sticker du ner oljestickan utan att skruva på det.

**🗨️ NOTICE**

Val av olja har stor påverkan på maskinens prestanda och livslängd. Var noga med val av olja. Om fel olja används, eller inte byts enligt underhållsschemat kan skador uppstå på motorn. Skador orsakade av fel eller gammal olja täcks inte av garantin.

- Säkerställ oljenivån och var noga med att både byta olja och fylla på vid behov. Kontrollera alltid oljenivån

innan start - även om elverket har en automatisk avstängning vid låg olja.

- Om motorn inte startar på femte försöket eller startar och sedan snabbt dör behöver oljan troligen fyllas på.
- Dränera oljan när motorn är varm. Det är svårt att dränera den när motorn är kall.

🗨️ NOTICE

Motoroljan bör bytas efter de första 20 timmarna (eller 1 månad) och därefter var 100:e timme eller var tredje månad.

⚠️ VARNING!

Byt ALDRIG olja eller försök fylla på olja när motorn är igång!

Kontroll av luftfilter

- Lossa vingmuttern, ta bort skyddet runt luftfiltret och ta bort luftfiltret. Använd inte rengöringsmedel vid rengöring.
- Luftfiltret måste bytas när det inte längre går att rengöra det ordentligt eller när avgaserna får en annorlunda färg.
- Använd aldrig elverket utan luftfilter. Detta kan orsaka skada på motorn.
- Sätt tillbaka filter, kåpa och skruva fast vingmuttern.

Säkerställa att ingen last finns

- Stäng av huvudströmbrytaren och andra laster
- Var noga med att stänga av huvudströmbrytaren innan elverket startas. Om brytaren inte är i läge OFF kan inkopplade maskiner oavsiktligt startas.
- Elverket bör jordas för att minimera risken för elektriska stötar. Använd jordspett.

Hantering av elverk med två Volt-typer

- AC-strömbrytaren på kontrollpanelen skall sättas i läge OFF innan elverket startas. Låt sedan elverket varva upp och gå en liten stund innan AC-strömbrytaren slås på.
- Byt aldrig mellan två olika Volt när AC-strömbrytaren är i ON och last inkopplad.
- När du vill använda 12V-DC uttaget skall AC-strömbrytaren stå i läge OFF.

Kontroll av luft i bränslesystemet

VARNING!

När elverket är nytt innehåller det inget bränsle eller olja. Rester av detta kan dock finnas eftersom varje Warrior-elverk testkörs innan det säljs för att du som kund skall vara trygg i att det fungerar.

- Olja och diesel måste fyllas på innan uppstart när elverket är nytt.
- Elverket bör ej heller transporteras med bränsle i tanken.
- Om bränsletanken blivit tömd kan luft komma in i systemet och förhindra diesel från att nå motorn. Bränslefiltret bör vara minst 75% fyllt - annars är detta ett tecken på luft i systemet.
- För att tömma bränslesystemet på luft lossar du 17mm bulten som finns mellan insprutningen och mässingsröret. Sätt sedan reglaget i läge RUN och starta elverket tills bränsle syns. Sedan kan bulten skruvas på plats igen. Upprepa vid behov.

DRIFT

Låg oljenivå och autostopp

- Elverket är utrustat med en automatisk avstängning vid låg oljenivå. När oljetrycket minskas stängs motorn av för att skada inte skall uppstå.
- Oljetemperaturen kan stiga om för lite olja används. Om för mycket olja används kan en farlig förbränning ske som rusar varvtalet på motorn. Säkerställ alltid att rätt oljenivå efterlevs.

Öppna sido- och toppkåpa

Öppna upp sido- och toppkåpa ofta för att inspektera elverket.

1. Vrid handtaget moturs för att öppna dörren.
2. Vrid handtaget medurs för att låsa dörren.

Inkörningsperiod

När ditt elverk är nytt skall tunga laster undvikas då detta kan förkorta livslängden för elverket. Följ inkörningsinstruktionen under de första 20 timmarna.

1. Undvik att belasta elverket mer än 75% under de första 20 timmarna.
2. Byt olja regelbundet. Byt den efter de första 20 timmarna eller 1 månad efter första uppstart. Därefter skall den bytas var 100:e timme eller var tredje månad. 10W-30 olja rekommenderas.

Start av elverket

Manuell start (gäller endast elverk av öppen typ)

1. Öppna ventilen i tanklocket till ON
2. Sätt gasreglaget i läge RUN
3. Dra i startsnöret tills du känner ett motstånd och för det sedan tillbaka.
4. Tryck ner dekompressionsspaken.
5. Dra i startsnöret med båda händerna hårt och bestämt.
6. Låt inte handtaget slå emot motorn på tillbakavägen. Återför det lugnt.
7. Vid kallt väder kan motorn vara svår att starta. Tillsätt då 2cl motorolja.

VARNING!

Drag aldrig i startsnöret eller rör vid det när motorn är startad.

8. Vid kallt väder blir en dieselmotor svår att starta. Ta bort pluggen ur skyddet på vipparmen ovanpå cylindern och håll i 2 cc motorolja.
9. Sätt tillbaka pluggen
10. Ha alltid den röda pluggen i sin rätta position förutom just när du håller i olja. Annars kan främmande föremål och smuts hamna i motorn.

Start med elektrisk start

1. Vrid tändningsnyckeln till läge ON
2. Sätt gasreglaget i läge RUN
3. Vrid tändningsnyckeln till läge Start
4. Släpp nyckeln när motorn tänds och låt den automatiskt gå tillbaka.
5. Om motorn inte startar eller om startmotorn inte aktiveras vänta 30 sekunder till nästa försök.

VARNING!

Vänligen notera: Om startmotorn körs för mycket kommer batteriet laddas ur.

Lämna alltid nyckeln i läge ON när motorn körs.

Batteri

Kontrollera vätskenivån i batteriet en gång per månad. När nivån understiger miniminivå ska destillerat vatten fyllas på upp till markeringen.

Om batterisyranivån understiger gränsvärdet kan det orsaka skada på batteriet med följd att elverket inte kan startas. Om batteriet överfylls kan det skada omkringliggande delar och material.

Batteriet omfattas endast av ett års garanti.

Användande

1. Värm upp motorn utan att koppla in last under tre minuter.
2. Elverket är utrustat med låg oljenivå-vakt. Motorn kommer stoppa automatiskt om oljenivån blir för låg. Motorn kommer heller inte gå att starta om oljenivån är för låg.
3. Undvik att skruva på bulten som begränsar gas (varvtal) samt bulten som reglerar bränsleinsprutning. Dessa två har justerats och trimmats in på fabrik

Kontroll under drift

1. Något ovanligt ljud eller vibration?
2. Misständer motorn eller går ojämnt?
3. Färgen på avgaserna - är de svarta eller vita?

Om du upplever något av ovanstående bör du stänga av ditt elverk och kontakta verkstad eller återförsäljare.

Använda AC-ström (växelström)

1. Starta elverket och säkerställ att den gröna lampan lyser
2. Elverket måste komma upp i normalt varvtal innan last kopplas in.
3. När elverkets display visar 230V +/- 10% kan last kopplas in.
4. Koppla in lasten.

WARNING!

Starta inte två inkopplade laster samtidigt. Börja med den största av dem.

5. Säkerställ att all utrustning är i gott skick inna de kopplas in.
6. Om en inkopplad last betar sig onormalt så stäng omedelbart av den, stäng av elverket och koppla ur lasten.
7. Om överlast får säkringen att lösa så minska lasten och vänta innan du återupptar drift.
8. Om displayen visar för hög eller för låg Volt - stoppa och sök orsaken till felet.

Använda DC-ström (likström)

12V-uttaget ska endast användas för att ladda batterier.

1. När du skall ladda bilbatterier med batterikablar ska du först lossa minuskabeln från batteriet.

2. Starta motorn
3. Anslut laddningskablagen till batteripoolerna och till elverket. Anslut pluspoolen till pluspoolen på elverket. Förväxla inte polariteten - det kan skada både batteri och elverk. Kablaget skall inte vidröra varandra. DC-säkringen kan lösa om stora batterier laddas då detta ger en högre strömstyrka.
4. Våta batterier avger knallgas när de laddas. Undvik att vara nära gnistor, rökning och öppen låga. För att minska risken för gnistor är det bäst att ansluta kablagen till batteriet först och elverket sedan. När kablarna skall tas bort är det omvänd ordning.
5. Ladda batterier på en välventilerad plats. När du laddar våta batterier bör locken vara öppna. Avbryt laddning om elektrolyten får en temp över 45°C.

WARNING!

Starta inte bilen när batteriet är ansluten till elverket. Använd INTE DC- och AC-uttagen samtidigt.

SV

Stänga av elverket

1. Stäng av huvudströmbrytaren
2. Sätt gasreglaget i läge RUN och låt elverket vara igång ett par minuter utan inkopplad last. Stäng inte av elverket för snabbt då detta kan få motorns temperatur att stiga för mycket.
3. Vrid nyckeln till OFF eller tryck ner Stoppknappen.

WARNING!

Om motorn fortsätter gå även efter att Stopp-handtaget är i läge Stopp bör du stänga bränslekranen. Stäng inte av motorn med dekompressionshandtaget (endast öppna elverk)

Fjärrkontroll (om applicerbart)

Elverket kan startas och stängas av på distans via den trådlösa fjärrkontrollen.

1. Sätt gasreglaget i läge RUN
2. Sätt startnyckeln i läge ON
3. För att starta motorn - tryck på knappen A på fjärrkontrollen under 3-5 sek.
4. Om den inte startar, upprepa steg 1-2 och försök igen.
5. För att stänga av elverket trycker du på B på sändaren
6. Vrid nyckeln till läge OFF

⚠ VARNING!

När elverket inte används eller är avstängt skall nyckeln alltid stå i läge OFF.

⚠ VARNING!

Om elverket inte startar på tre gjorda försök måste steg 1-3 upprepas. Det kan även behövas göras en generell kontroll av bränsle och olja.

Låt aldrig någon annan starta eller stoppa elverket med fjärrkontrollen när det är i drift. Upprepade start/stopp för ofta kan skada elverket.

Om elverket inte startar använd felsökningen i denna manual.

UNDERHÅLL

Periodiska kontroller och underhåll är en viktig del i driften av ditt elverk. Det är väldigt viktigt att elverket och dess motor underhålls kontinuerligt för att dess prestanda och livslängd skall bibehållas.

Stäng av elverket innan något underhåll utförs. Om motorn måste vara igång är det viktigt att detta sker på en välventilerad plats eftersom avgaserna är giftiga.

Rengör elverket med en trasa när det använts för att förhindra rost och korrision.

DAGLIGEN

- Kontrollera oljenivån
- Kontrollera och fyll på olja
- Kontrollera oljeläckage
- Kontrollera så att delar sitter fas

FÖRSTA 20 TIMMARNÄ - INKÖRNING

- Byt olja
- Dränera bränsletanken
- Justera ventiler på in- och utlopp*
- Lap inlopp och avgasventiler*

MÅNATLIGEN

- Kontrollera batterivätskan
- Kontrollera oljefilter

VAR 100:E TIMME ELLER VAR TREDJE MÅNAD

- Byt olja
- Kontrollera luftfilter

VAR 300:E TIMME ELLER VAR SJÄTTE MÅNAD

- Skruva åt bultar*
- Byt oljefilter
- Byt luftfilter
- Rengör bränslefilter
- Kontrollera insprutningspumpen*
- Kontrollera spridarna*
- Kontrollera bränsleledningar
- Justera ventilgap*

VAR 1000:E TIMME ELLER ÅRLIGEN

- Byt bränslefilter
- Lap intake & exhaust valves*
- Byt kolvringar*

VAR TREDJE ÅR

- Byt bränsleledningar*

****Speciella verktyg och/eller kompetens kan krävas. Detta bör endast utföras av en verkstad.**

Oljebyte (Var 100:e timme)

Avlägsna locket på oljepåfyllningen. Skruva ur dräneringsbulten och dränera oljan när motorn är varm men avstängd.

Dräneringsbulten är placerad längst ner på motorblocket bredvid oljefiltret. När oljan är tömd skruvar du åt dräneringsbulten och fyller på med ny olja. Vi rekommenderar att du använder 10W-30 mineralolja.

Rengöra oljefiltret (Var 300:e timme)

Skruva loss 10mm bulten och ta bort oljefiltret. Du hittar det långt ner på motorblocket bredvid dräneringsbulten. Rengör med vatten eller bensin - använd EJ rengöringsmedel.

Byte av luftfilter (Var 300:e timme)

Tvätta inte luftfiltret med tvål eller rengöringsmedel. Använd bensin eller rent vatten. Låt det torka helt innan du sätter tillbaka det.

⚠ VARNING!

Starta aldrig motorn utan ett luftfilter, eller med ett trasigt luftfilter. Byt det vid rätt intervall.

Rengöra och byta bränslefilter (Var 300:e timme)

Bränslefiltret måste också underhållas med jämna mellanrum för att säkerställa elverkets effektivitet.

1. Dränera återstående diesel från tanken

2. Lossa de små clipsen på bränsleledningarna. Ta bort bränslefiltret och spola igenom slangarna med ny diesel.
3. Öppna bränslefiltret och gör rent det. Avlägsna all smuts och orenheter.

Kontrollera och fylla på batterivätska samt ladda batteriet (månatligen)

Detta dieselelverk har ett 12V startbatteri. Batterivätskan i batteriet kommer minska i takt med tiden och användningen.

Innan du startar - kontrollera batteriet för fysiska skador, vätskenivån samt fyll på med destillerat vatten vid behov. Vid påfyllning skall det inte överstiga den övre markeringen. Vid skada på batteriet eller när om dess kapacitet är dålig bör det bytas. Batteriet omfattas av 1 års garanti från ursprungsköpet.

FÖRVARING

Om du skall förvara ditt elverk under en längre tid utan att använda det bör följande göras:

1. Kör elverket i ca 10min utan last och stoppa det sedan.
2. Vänta en stund och byt sedan olja medan motorn är varm. Se "Oljebyte".
3. Lossa den röda pluggen som finns ovanpå cylindern och håll i 2ml olja. Stäng det röda locket igen.

FELSÖKNING

Problem	Orsak	Åtgärd
Motorn startar ej	Inget bränsle	Fyll på bränsle
	Brytaren är inte i läge ON	Vrid den till ON
	Bränslepumpen eller spridarna kan inte ge tillräckligt med bränsle alt bränslet är inte tillräckligt	Rengör insprutningen eller töm systemet på bränsle
	Gasreglaget är inte i läge RUN	För det till läge RUN
	Låg oljenivå	Fyll på olja
	Vid manuell start; Farten och kraften i draget av dragsnöret är inte tillräcklig	Starta motorn genom att följa startinstruktionen i denna manual
	Insprutningen är blockerad eller smutsig	Rengör eller byt ut insprutningen
	Batteriet är urladdat	Ladda eller byt batteriet
Motorn vill inte starta med fjärrkontrollen	Tändningsnyckeln är inte i läge ON	Gör om steg 1-3 i Start med fjärrkontroll i denna manual
	Gasreglage är inte i läge RUN	Gör om steg 1-3 i Start med fjärrkontroll i denna manual
	Låg olje- eller bränslenivå	Fyll på olja och bränsle efter behov
Motorn går men ingen el finns	AC-brytaren står i OFF	Ändra brytaren till ON
	Glapp i uttaget	Kontrollera uttaget
	För lågt varvtal på motorn	Kontakta återförsäljaren
	Annat	Kontakta återförsäljaren

OBS: Vid svetsning kan elverket överlastas pga svetsens stora startströmmar. Om elverket överlastas för kraftigt vid svetsning kan elverkets AVR skadas.

WARRANTY

We at Warrior understand the importance of warranty for service & repair, we are now offering a standard 2 Year (Warrior Diesel Generators) without the need for registering your purchase. We still have the option for product registration for customer who still would like to use the website and to keep in touch with ourselves.

Please view the limitations below and read the full T&C's about the warranty offered on a particular product.

All we require is the either a copy of the original proof of purchase or an invoice supplied from retailer at the time of purchase to enable the claim to be raised. Please keep your proof of purchase safe for the duration of your terms, in the unfortunate event you need our technical support we will ask for this to be provided on each claim, NO proof of purchase any warranty claim will be delayed or rejected.

Repair / Replacement Warranty

Warrior branded diesel generators warrants to the original purchaser up to 2 Years for domestic usage that the mechanical and electrical components will be free of defects in material and workmanship for a period of Year One (1) [Parts and Labour] Year Two (2) [Parts Only] from the original date of purchase or 1000 hours which ever comes first.

Industrial & Commercial Use One Year (1) [Parts and Labour] or 500 hours which ever comes first.

Transportation charges on any product submitted for repair or replacement under this warranty are the sole responsibility of the purchaser. This warranty only applies to the original purchaser and is not transferable.

Do Not Return the Unit to the Place of Purchase

Contact Warrior Technical Service and we will troubleshoot any issue via phone or e-mail. If the problem is not corrected by this method, Warrior will, at its option, authorise evaluation, repair or replacement of the defective part or component at our own Service Center. If and when an product has to be replaced it will be on a like for like basis not old for new. Warrior will provide you with a case number for warranty service and this can be monitored through your login account. Please keep it for future reference. Repairs or replacements without prior authorization, or at an unauthorized repair facility, will not be covered by this warranty. We do have warranty exclusions for customers outside the United Kingdom please see our full T&C's.

Warranty Exclusions

This warranty DOES NOT cover the following:

Normal Wear

Your product needs periodic parts and service to perform well. This warranty does not cover repair when normal use has exhausted the life of a part or the equipment as a whole.

Installation, Use and Maintenance

This warranty will not apply to parts or labour if your product is deemed to have been misused, neglected, involved in an accident, abused, overloaded beyond the generator's limits, modified, installed improperly or connected incorrectly to any electrical component or system. Normal maintenance is not covered by this warranty.

Other Exclusions

This warranty excludes:

- cosmetic defects such as paint, decals, etc.,
- worn parts including piston & rings, spark plugs, filters
- accessory parts including wheels & recoil assemblies
- failures due to acts of God and other force majeure events beyond the manufacturer's control
- problems caused by parts that are not original Warrior Power Equipment parts
- alteration or modification(s) made by any party other than the manufacturer including exhaust extension and filtration systems.
- all hoses plastic or rubber, reducing valves and regulators
- any third party electrical equipment

12v Battery

- All batteries supplied Over 1 Year Old.

Suitable Transfer Switch

Any MTS (Manual Transfer) & ATS (Automatic Transfer) systems other than ones supplied by ourselves under WARRIOR or Warrior will not be considered suitable and will invalidate all warranties given. Please contact us direct before installing any Transfer system.

Limits of Implied Warranty and Consequential Damage

Winch Solutions Ltd (CG) disclaims any obligation to cover any loss of time, use of this product, freight, or any incidental or consequential claim costs by anyone using this product.

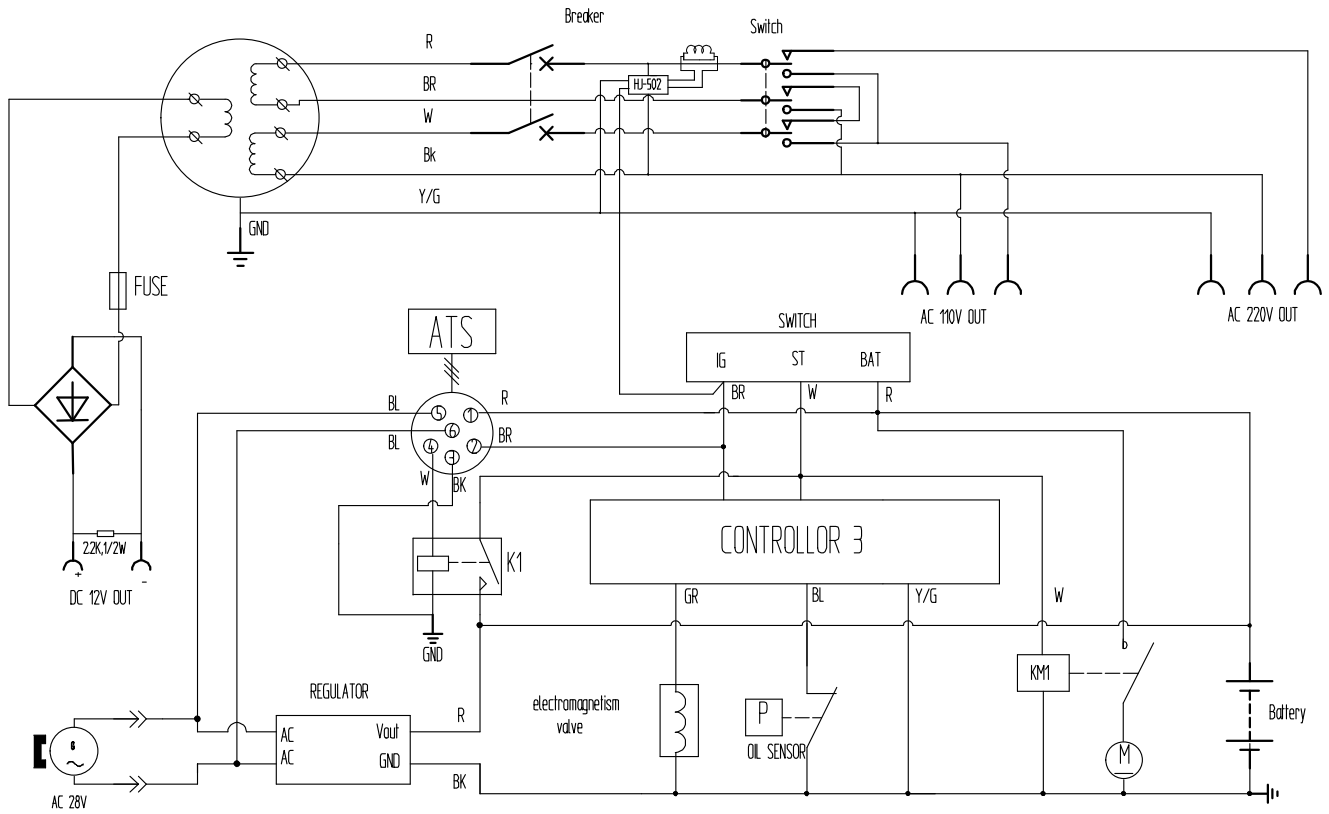
THIS WARRANTY IS IN LIEU OF ALL OTHER WARRANTIES, EXPRESS OR IMPLIED, INCLUDING WARRANTIES OF MERCHANTABILITY OR FITNESS FOR A PARTICULAR PURPOSE.

A unit provided as an exchange will be subject to the warranty of the original unit. The length of the warranty governing the exchanged unit will remain calculated by reference to the purchase date of the original unit. This warranty gives you certain legal rights which may change from country to country. Your country may also have other rights you may be entitled to that are not listed within this warranty.

TECHNICAL SPECIFICATIONS

MODEL:	6000S	6500S	6000S3	6500S3
Type	Single Phase A.C		Three Phase A.C	
Frequency (Hz)	50	50/60	50	50/60
Rated Power (kW)	4.5	5.0/5.5	5.6kVA	6.3/6.9kVA
Max Power (kW)	5.0	5.5/6.0	6.2kVA	6.9/7.5kVA
Voltage (A.C)	110, 115, 220, 230, 240, 11/220, 115/230, 120/240		240/415	
Voltage (D.C)	12V			
Current (D.C)	6A			
Power Factor	1.0		0.8	
Phase Number	Single Phase		Three Phase	
Pole Number	2			
Excitation	Self-excitation			
Insulation	G1			
Voltage Regulation System	Condenser compensating system			
Engine Type	186FA Euro 5: LA186FAG	188F Euro 5: LA186FAG	186FA Euro 5: LA186FAG	188F Euro 5: LA188FG
Type	4 Stroke, single cylinder, air cooled, direct injection diesel engine			
Speed (rpm)	3000/3600 Euro 5: 3000		3000	3000/3600 Euro 5: 3000
Cont. Output (kW)	5.7/6.3 (Euro 5: 5.7)	6.6/7.2 (Euro 5: 6.3)	5.7/6.3 (Euro 5: 5.7)	6.6/7.2 (Euro 5: 6.3)
Bore x Stroke (mm)	86 x 72	88 x 78	86 x 72	88 x 78
Displacement (L)	0.418	0.474	0.418	0.474
Cooling System	Forced Air Cooled			
Lubrication System	Forced Lubrication			
Lube oil capacity	1.65	1.65	1.65	1.65
Start System	Electric Start			
Fuel	Diesel			
Fuel Capacity (L)	16	16	16	16
Low Pressure Alarm	Included			
Operation capacity (hr)	7.4/6.6	7.2/6.5	7.4/6.6	7.2/6.5
Acid battery capacity (AH)	24-36			
Care free battery capacity (AH)	17-36			
Nett Weight (kg)	150	154	150	154
Dimensions (L x W x H) mm	900 x 520 x 700	900 x 520 x 700	900 x 520 x 700	900 x 520 x 700

WIRING DIAGRAM

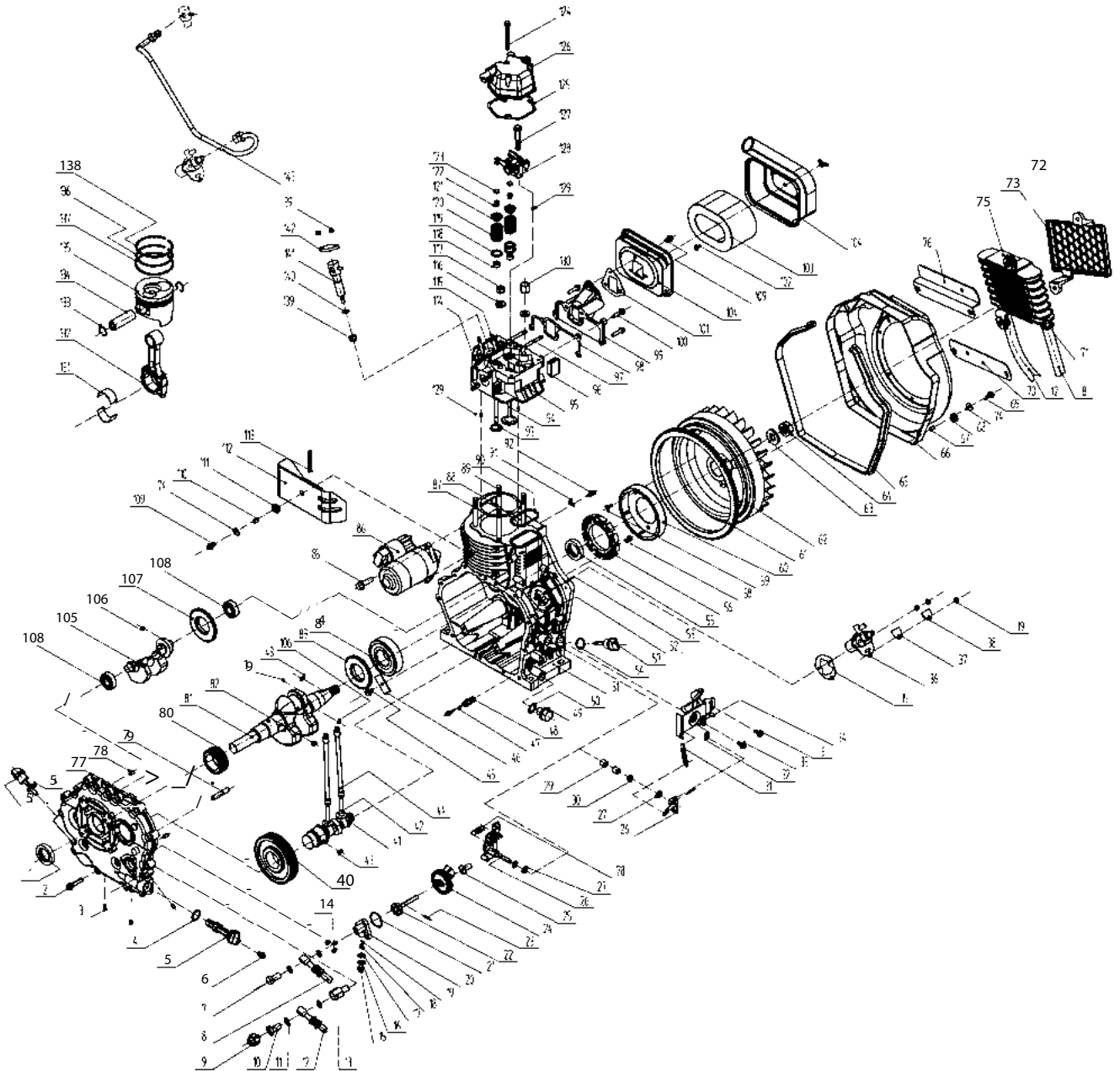


SWITCH

	BAT	IG	ST
OFF			
ON	●	●	
START	●	●	●

EN

ENGINE PARTS DIAGRAM



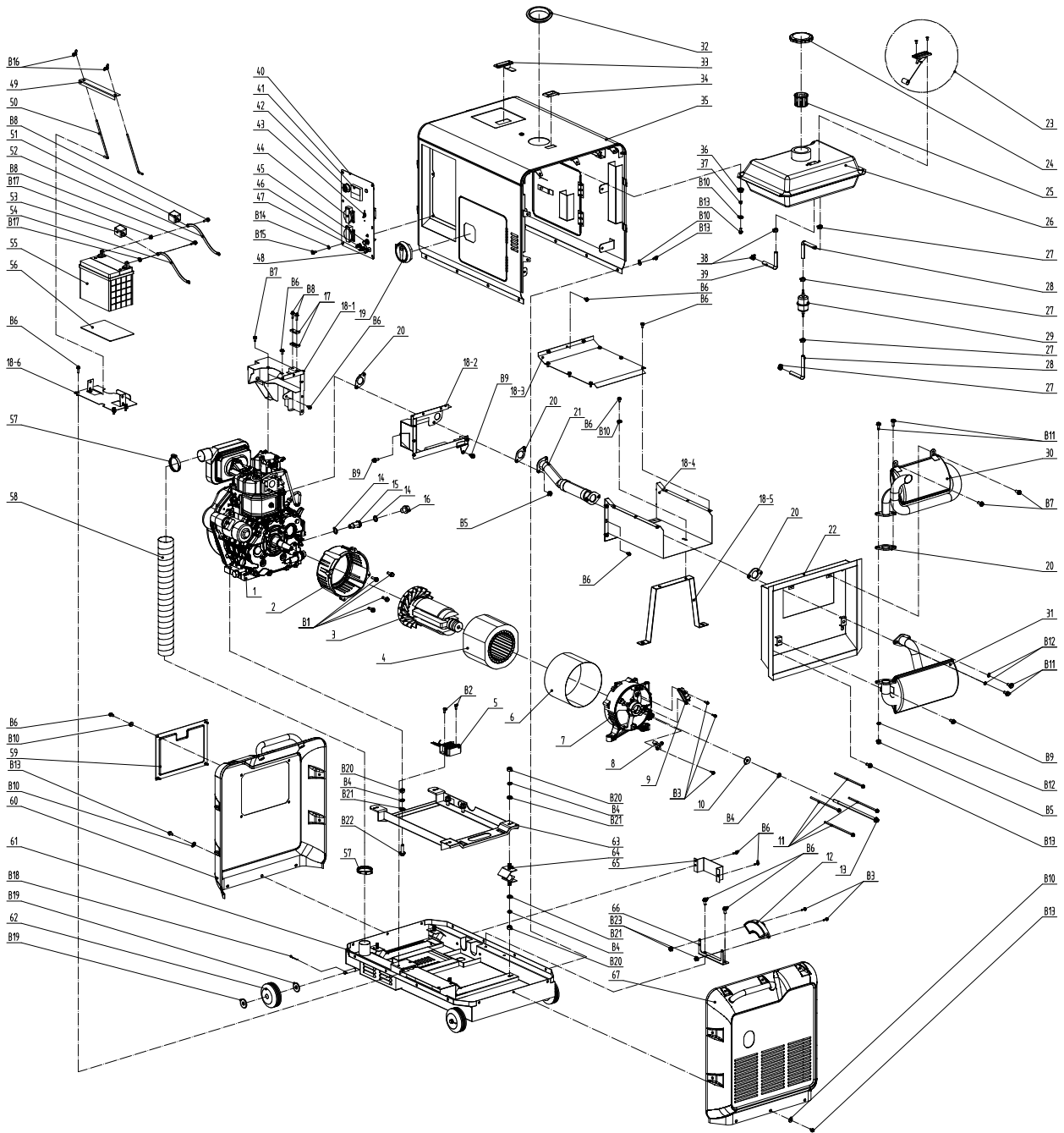
ENGINE PARTS LIST

135	Piston	A188	1	68	Shock absorber seal	A170/78/86	4
134	Piston pin	A188	1	67	Bush10*10	A170	4
133	Washer*23	A186	2	66	Fan cover	A192	1
132	Connect rod assy	A188	1	65	Shock absorbing bushing	A170/78/86	965mm
131	Crank pin bearing	A186	2	64	Flywheel nut	A186	1
130	Cylinder head nut<thick>	A188	2	63	Flywheel nut washer	A186	1
129	Straight pin	4x8	3	62	Flywheel	A186E	1
128	Valve rocker arm	A186FA	1	61	Flywheel gear	A186E	1
127	Rocker arm bolt	M8x45	2	60	Flywheel rotating assembly	F186-100	1
126	Cylinder head cover assembly	A186FA	1	59	Hexagon socket countersunk head screws	M6x12	3
125	Cylinder head cover gasket	A186FA	1	58	Flange bolt	M6x18	3
124	Flange bolt	M6x70	3	57	Oil level gauge	A178/86	2
123	Valve adjusting block	A186	2	56	Stator assembly	F186-200	1
122	Valve key	A188	4	55	Oil seal	DL35x50x8	1
121	Valve-spring retainer	A188	2	54	O ring	192x24	2
120	Valve spring	A186	2	53	Fuel injection pump fastening stud(long)	M6x36	2
119	Valve spring washer	A186	3	52	Fuel injection pump fastening stud(short)	M6x30	1
118	Valve guide oil seal	A186	2	51	Crankcase	A188	1
117	Cylinder head nut<thin>	A188	2	50	Seal washer	16	1
116	Cylinder head nut washer	A188	4	49	Drain plug	A170/78/86	1
115	Double end stud	M6x55	2	48	Torque corrector	A186	1
114	Double end stud	M8x20	2	47	Calibrate spring	A186	1
113	Shock absorber seal	A178/86	1	46	Thrust plate	A170/78/86	1
112	Air induced cover parts	A188	1	45	Flange bolt	M8x15	1
111	Air induced cover shock absorber	A178	1	44	Valve push rod	A188	2
110	Air induced cover bush	A178	1	43	Flat key	5x14A	2
109	Flange bolt	M6x16	2	42	Valve tappet	A186	2
108	Deep groove ball bearing	6304	2	41	Camshaft	A188	1
107	Balance shaft gear	A186	1	40	Camshaft timing gear	A188	1
106	Flat key	5x7A	2	39	Flange nut	M6	5
105	Balance shaft	A188	1	38	Fuel injection pump seatplate	A170/78/86	1
104	Air cleaner cassette noise	A186	1	37	Fuel injection pump seat gasket	A170/78/86	1
103	Air cleaner element	A186	1	36	Solenoid valve fuel injection pump	A188	1
102	Hexagon lock nut	M6	2	35	Fuel injection pump gasket	A170	1
101	Air cleaner gasket	A186	1	34	Control handle	A170/78/86	1
100	Flange bolt	M6x28	3	33	Flange bolt	M6x22	1
99	Intake pipe	A186	1	32	Return spring	A170/78/86	1
98	Intake pipe gasket	A186	1	31	Governor spring	A186	1
97	Double end stud	M6x75	2	30	Oil seal	W18x14x4	1
96	Cylinder head rubber plug	A186	1	29	Needle bearing<794178>	HK081410	2
95	Cylinder head	A188	1	28	Starting spring	A186	1
94	Intake valve	A188	1	27	Governor level washer	A170	3
93	Exhaust valve	A188	1	26	Shift fork	A186	1
92	Hexagon bolt	M6x12	1	25	Tappet	A186	1
91	Wire clamp	A170/78/86	1	24	Oil pump drive gear	A188	1
90	O-ring seal	A186	1	23	Straight pin	3x8	1
89	Cylinder head stud(long)	A188	2	22	Oil pump assembly	A186	1
88	Cylinder head stud(short)	A188	2	21	O ring	34.5x18	1
87	Cylinder head gasket<On demand>	A188	1	20	Oil pump cover plate(oil cooler)	A188	1
86	Starter	A186/188	1	18	Pressure limiting valve spring	A170/78/86 A170F-09000	1
85	Flange bolt	M10x30	2	17	Fuel injection pump gasket	M10	1
84	Cylindrical roller bearing	NUP308E	1	16	Seal washer	10	1
83	Balance shaft transmission gear	A188	1	15	Hexagonal flange bolt	M10*1.25*10	1
82	Flat key	5x12A	1	14	Hexagon socket flat round head screw	M6*14	3
81	Crankcase	A188	1	13	Hinged ball transition seat	A188	1
80	Crankshaft timing gear	A188	1	12	oil cooling pipel	A188	1
79	Oil inlet pipe	A170/78/86	1	11	Seal washer	14	4
78	Straight pin	8x12	2	10	Hinge bolt(M14*15-NP17/8)	A188	1
77	Crankcase cover(oil cooler)	A188	1	9	oil pressure sensor	A188	1
76	Oil cooler fixing plate	A188	1	8	oil cooling pipel	A188	1
75	oil cooler	1620	1	7	Hinge bolt	M14*15*28	1
74	Plain washer	56	4	6	Flange bolt	M6x14	3
73	Mesh Layer	1620	1	5	Oil filter	A170/78/86	1
72	Hexagonal flange bolt	M6x25	2	4	O ring	20x2.65	1
71	Hose clamp	德式12-20	2	3	Aluminum plunger8*10	A170/78/86	3
70	Oil cooler fixing plate	A188	1	2	Flange bolt	M8x35	16
69	Flange bolt	M6x22	4	1	oil seal	DL35x50x10	1
				NO.	Description	Material	Qty

143	Fuel injection pipe	A188	1
142	Fuel injector platen	A170/78/86	1
141	Fuel Nozzle	A188	1
140	Fuel Nozzle gasket	A170	1
139	Heat insulation cover	A170/78/86 FA	1
138	First gas ring	A188	1
137	Piston Oil ring	A188	1
136	Second gas ring	A188	1

EN

PARTS DIAGRAM



PARTS LIST

B23	Flange nut	M5	2	43	Circuit breaker	Vary with generator power	1
B22	Flange bolt	M10*40	6	42	Key switch	423A	1
B21	Plain washer	10	14	41	Volt meter	MU-45(0-300V)	1
B20	Hexagonal nut	M10	14	40	control panel		1
B19	Plain washer	Big 12	8	39	Fuel pipe	φ4.5*8.5	850mm
B18	Clip	2.5*30	4	38	Clip for oil return line	LA170/78/86	2
B17	Flange nut	M6	2	37	Air induced cover bush	LA178	4
B16	Butterfly nut	M6	2	36	Air induced cover shock absorber	LA178	4
B15	Flange bolt	M6*12	6	35	canopy	5000S KQ	1
B14	Toothed flange nut	6 MFZn	2	34	Fuel level window components		1
B13	Flange bolt	M6*16	36	33	pressure reducing valve cover key	MS720	1
B12	Spring washer	8	4	32	Tank rubber sleeve		1
B11	Flange bolt	M8*30	4	31	Secondary muffler	LDG5000S KQ	1
B10	Plain washer	Big 6	38	30	A class muffler	LDG5000S KQ	1
B9	Flange bolt	M8*12	4	29	Fuel filter	LA170	1
B8	Flange bolt	M6*20	4	28	Fuel pipe	φ7.5x φ13	220mm
B7	Flange bolt	M8*20	4	27	Clip for pipeline	LA170/78/86	4
B6	Flange bolt	M6*12	31	26	Fuel tank		1
B5	Flange nut	M8	4	25	Fuel filter cup	LA170/78/86	1
B4	Spring washer	10	15	24	Fuel tank cap	LDG3600S	1
B3	Flange bolt	M5*16	5	23	Fuel level indicator with screw	120	1
B2	Hexagon socket head screw	M6*12	2	22	Muffler mounted panel	LDG5000S KQ	1
B1	Flange bolt	M8*25	4	21	Ripple pipe comp	5000S	1
				20	Muffler gasket	LA186	4
67	Alternator side side cover	5000S KQ	1	19	Door lock component	5000S KQ	1
66	AVR mount support	LDG5000S KQ	1	18-6	Battery bracket	LDG5000S	1
65	Oil baffle		1	18-5	Fan case bracket	LDG5000S	1
64	Genset shock absorber	LDG3600S-03011	4	18-4	Fan case body	LDG5000S	1
63	Commonality base		1	18-3	Fan case cover	LDG5000S	1
62	Rubber wheel	For KQ style canopy	4	18-2	Wind guide plate2	LDG5000S	1
61	Soundproof underpan	5000S Keqiang	1	18-1	Wind guide plate1	LDG5000S	1
60	Engine side side cover	5000S KQ	1	17	High-pressure tubing cushioning fixed block		2
59	Air cleaner cover	LDG5000S	1	16	Drain plug bolt	LA170/178/186	1
58	Air cleaner connecting pipe	external diameter φ58*500	1	15	Drain connecting pipe	LDG5000S-01007	1
57	Hose clamps	d60	2	14	Seal washer	16	2
56	Battery rubber gasket		1	13	Rotor bolt	Vary with alternator	1
55	Battery	Vary with generator	1	12	AVR	5kW	1
54	Red battery wire	500	1	11	Stator bolt	M6x(Length vary with alternator)	4
53	Red battery wire sleeve	Vary with battery	1	10	Plain washer for rotor bolt	10.6*28*3	1
52	Black battery wire	650	1	9	Wire connector	φ160-φ225	1
51	Black battery wire sleeve	Vary with battery	1	8	Carbon brush assy	φ190	1
50	Hook bolt	2200E	2	7	Rear cover	Vary with alternator	1
49	Battery plate	LDG2200E-03003	1	6	Alternator protective belt	Vary with alternator	1
48	Black DC connect	107	1	5	Rectifier regulator	13.8V	1
47	Red DC connect	107	1	4	Stator assy	4.2/4.5/5.0kW	1
46	Grounding bolt	M6*22	1	3	Rotor assy	4.2/4.5/5.0kW	1
45	Fuse holder assy		1	2	Front cover	Vary with alternator	1
44	Socket	Vary with generator	2	1	Engine	LA186/LA186FA/LA188	1
No	Description	Specification	Qty	No	Description	Specification	Qty

WARRIOR[®]
POWER EQUIPMENT