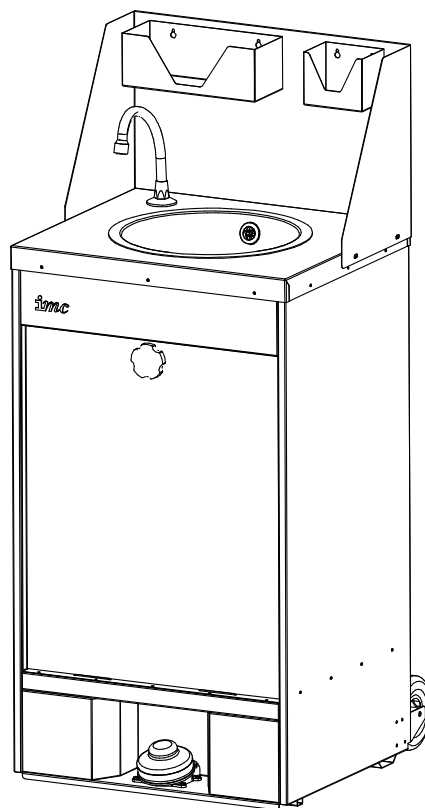




MOBILE HAND WASH UNIT

INSTALLATION AND USER MANUAL

PLEASE LEAVE WITH OPERATOR



MOBILE HAND WASH UNIT – F63/503

Imperial Machine Company Limited
Unit 1, Abbey Road
Wrexham Industrial Estate
Wrexham LL13 9RF
Tel: +44 (0)1978 661155
Fax: +44 (0)1978 729990
Spares Fax: +44 (0)1978 667759
E-mail: service@imco.co.uk
E-mail: sales@imco.co.uk
Website: www.imco.co.uk

INDEX

INTRODUCTION	1
Guarantee	1
Delivery	1
DIMENSIONS	2
SPECIFICATION	2
PRODUCT FEATURES	3
INSTALLATION	4
Procedure	4
Location	4
Commissioning	5
Emptying / Refilling	6
Cleaning	6
SPARE PARTS	
Spare Parts List	7
Ordering Spare Parts	7
	7

INTRODUCTION

Congratulations on your purchase of the IMC Mobile Hand Wash Unit. Thoughtfully designed to allow the users to wash their hands. This manual outlines the installation, operation procedures relevant to this unit.

Guarantee

The Mobile Hand Wash unit is guaranteed by IMC for 1 years from the date of purchase from IMC, or from one of its stockists, dealers or distributors. The guarantee is limited to the replacement of faulty parts or products and excludes any consequential loss or expense incurred by purchaser. Defects which arise from faulty installation, inadequate maintenance, incorrect use or fair wear and tear are not covered by the guarantee.

The guarantee applies in this form to installations within the United Kingdom.

Please observe these instructions carefully.

Delivery

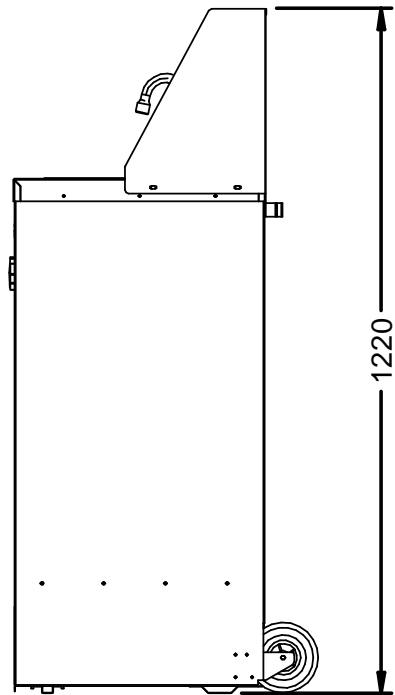
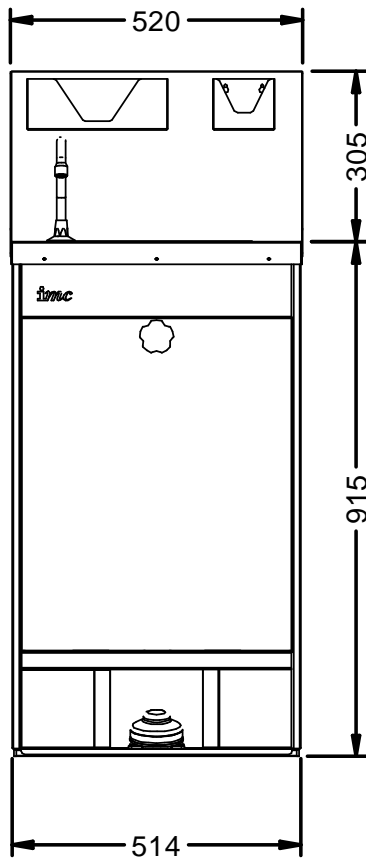
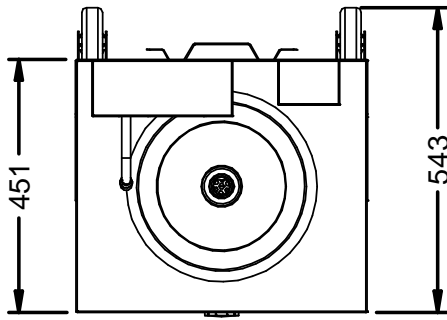
The packaged unit contains:

IMC MOBILE HAND WASH UNIT: Fully Assembled Hand Wash Unit	1
Splashback Panel	1
Paper Tower Dispenser	1
Soap Dispenser	1
Water container 20L - Natural	2
Instruction Booklet	1

Please notify LINCAT on the day of receipt if anything is missing or damaged.

☎ UK: 01522 875555

Check that the correct machine has been supplied. The data plate is located on the rear of the unit.

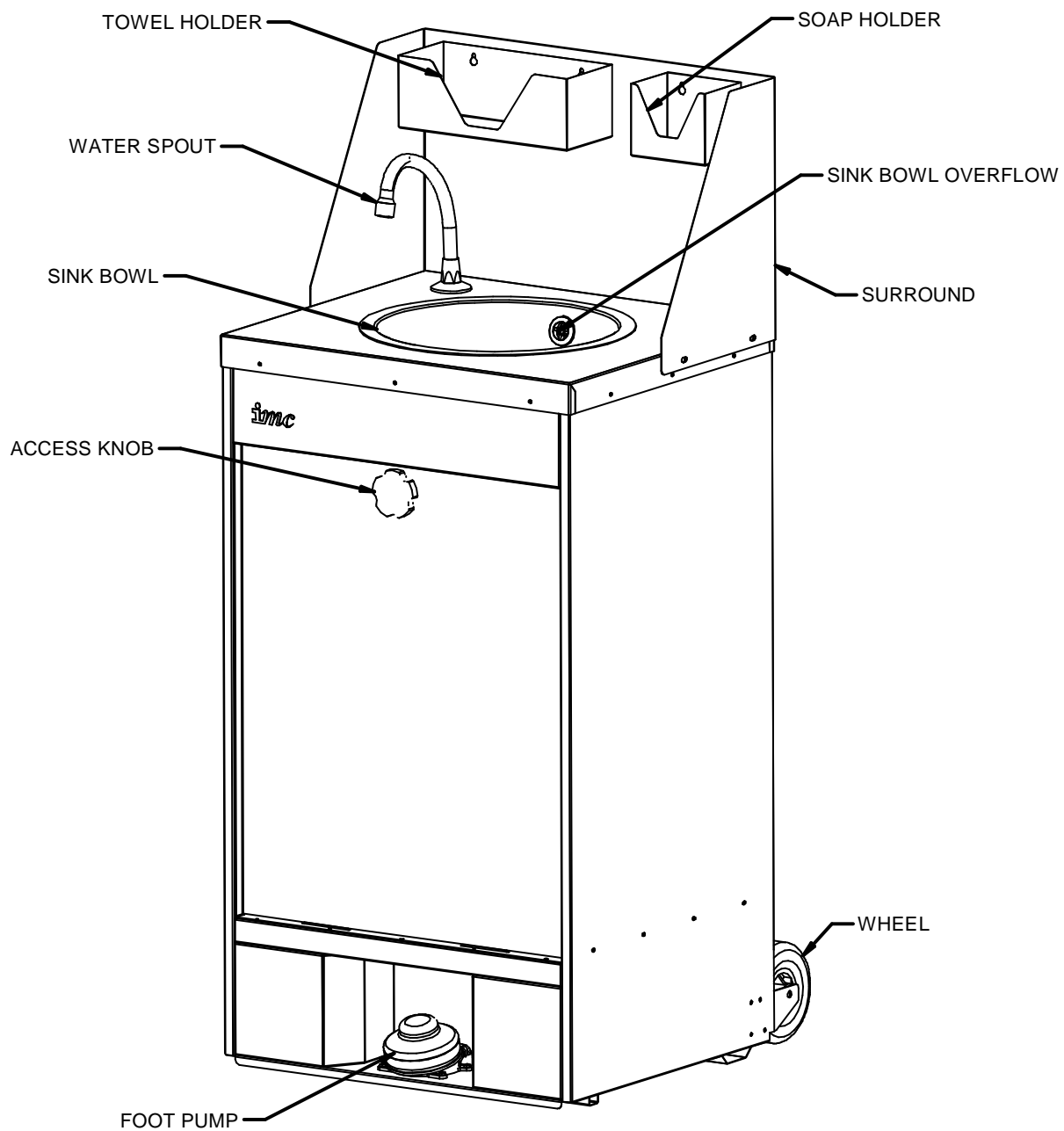


DIMENSIONS

SPECIFICATION

Tank Capacity	20 litres
Net Weight	27.4kg

PRODUCT FEATURES



INSTALLATION

These Instructions contain important information designed to help the user obtain the maximum benefit from their investment in an IMC Mobile Hand Wash Unit.

Please read them carefully before starting work and consult with your distributor/supplier in the event of any queries.

Be sure to leave this Instruction Manual with the user after installation of the machine is complete.

Procedure



WARNING

The following table shows the weight and the minimum quantity of people required to lift each unit:

	Net Weight	Quantity of People
IMC Mobile Hand Wash Unit	27.4 kg	2

Before using the hand wash; remove all packaging and ensure that the unit is checked over for damage, any damage must be reported to the carrier or distributor/supplier immediately.

Remove any protective plastic coating on the unit.

Do not be alarmed if water is present in the tanks or pipes of the unit, this is normal and only a mere consequence of the testing procedures.

Location

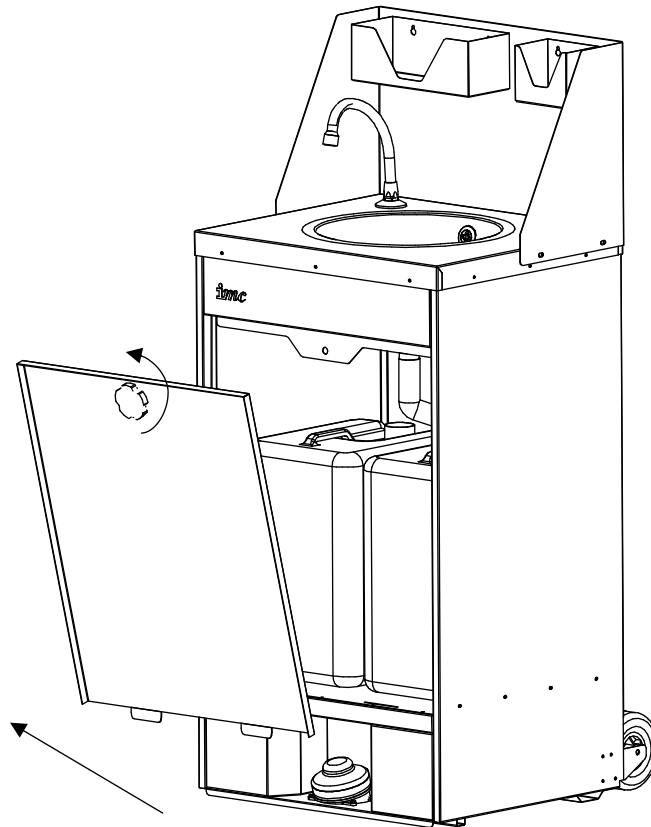
The Mobile Hand Wash Unit is only suitable for use where there is no risk for the unit to be adversely affected by its surrounding environment.

The unit must be stationed on a flat surface capable of safely supporting the units weight when fully laden with water.

The unit it is fitted with a handle on the back to assist when moving.

Commissioning

Remove the front panel by unscrewing the black knob on the front of the unit, tilt the panel backwards and pull upwards away from the unit at an upward angle. This will enable the operator to gain access to the clean and waste water containers inside the unit.



Once the front panel has been removed, lift out the suction hose from the clean water container and remove the water container. Note the water container can hold a maximum of 20 litres. Ensure when refitting the water container that the suction hose has been placed at the bottom container.

We advise that you operate the foot pump and pass water through the unit before refitting the front panel. To prime the pump ready for operation and pass water through the unit; place your foot inside the housing above the pump. Depress the foot pump several times until water is seen coming out of the spout located above the sink on the unit.

Once all of the above steps have completed and the front panel has been refitted, your Mobile Hand Wash Unit should now be ready for operation.

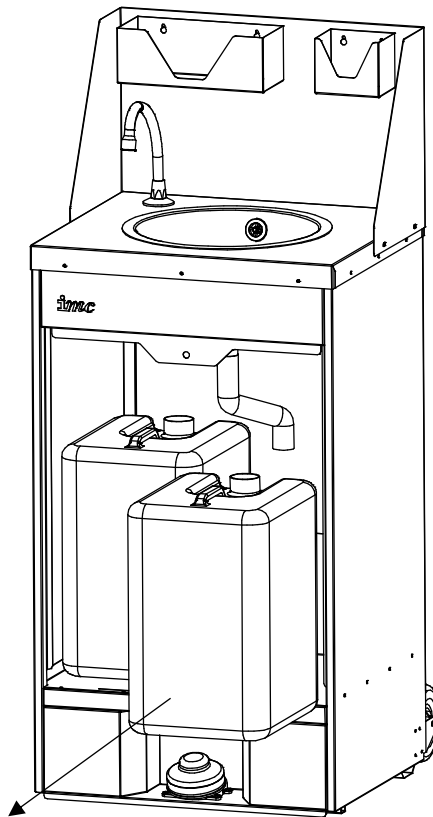
Emptying / Refilling

Once the unit has completed its total number of operations, the waste water container will need emptying and the clean water tank refilled.

To empty the waste water container; remove the front panel. The waste-water pipe can now be removed and the container can be slid out of the unit and emptied appropriately.

To re-install the waste water container, follow the above steps in reverse.

To refill the clean water container, follow the steps outlined in the commissioning section.



Cleaning

Clean the externals of the unit as required; using a damp cloth and an appropriate cleaning product.

DO NOT USE CLEANING MATERIALS CONTAINING ABRASIVES OR BLEACHES.

SPARE PARTS

Spare Parts List

PART NUMBER	QTY	DESCRIPTION
WC01	1	20 LTR WATER CONTAINER
WP02	1	FOOT PUMP
A19/042	2	MOBILE HANDWASH WHEEL
A21/044	1	KNOB 2160_M M8 x 14 BLACK

Ordering Spare Parts

In the event that spare parts or accessories need to be ordered, please always quote the SERIES AND SERIAL NUMBER of the machine. This is to be found on the rating plate located near the supply cable if applicable or at the rear of the appliance.

For installations outside the UK please contact your supplier.

For information on IMC spares and service support (if applicable), please call IMC on +44 (0)1978 661155. Alternatively, contact us via email:

IMC Service Desk

E-mail: service@imco.co.uk

IMC Spares Desk

E-mail: spares@imco.co.uk



Imperial Machine Company Limited
Unit 1, Abbey Road
Wrexham Industrial Estate
Wrexham LL13 9RF
Tel: +44 (0)1978 661155
Fax: +44 (0)1978 729990
Spares Fax: +44 (0)1978 667759
E-mail: service@imco.co.uk
E-mail: sales@imco.co.uk
Website: www.imco.co.uk