



# OVENS - GAS

## CONTENTS

---

<b>A</b>	<b>GENERAL INFORMATION .....</b>	<b>Page 2</b>
A1	PRODUCT DESCRIPTION.....	Page 3
A2	TECHNICAL INFORMATION .....	Page 3
A3	TRANSPORTATION.....	Page 4
A4	UNPACKING .....	Page 4
<b>B</b>	<b>INSTALLATION .....</b>	<b>Page 4</b>
<b>C</b>	<b>SAFETY INSTRUCTIONS .....</b>	<b>Page 5</b>
<b>D</b>	<b>OPERATION .....</b>	<b>Page 6</b>
<b>E</b>	<b>CLEANING &amp; MAINTENANCE.....</b>	<b>Page 7</b>
<b>F</b>	<b>TROUBLESHOOTING .....</b>	<b>Page 8</b>
<b>G</b>	<b>INJECTOR CHANGE AND GAS SETTING.....</b>	<b>Sayfa 9</b>
<b>H</b>	<b>GAS CONNECTION IMAGES .....</b>	<b>Sayfa 10</b>
<b>I</b>	<b>SPARE PART LIST- EXPLODING DRAWING .....</b>	<b>Sayfa 12</b>

## A GENERAL INFORMATION

---

**Before installing the appliance, read operation and maintenance instructions carefully. Wrong installation and part changing may damage the product or may cause injury on people. These are not in our company's responsibility to damage the appliance intentionally, negligence, detriments because of disobeying instructions and regulations, wrong connections. Unauthorized intervention to appliance invalidates the warranty.**

1. This instruction manual should be kept in a safe place for future reference.
2. **Installation should be made in accordance with ordinances and security rules of that country by a qualified service personnel.**
3. This appliance has to be used by trained person.
4. Please turn off the appliance immediately in the event of malfunction or failure. The appliance should be repaired only by authorized service personnel. Please demand original spare part.

# OVENS - GAS

## A1 PRODUCT DESCRIPTION

\* This product is a Ovens – Gas that provides high efficiency has been designed to be used in industrial kitchens.

Product Code	Dimensions (mm)	Weight (kg)	Packaging Dimensions (mm)
<b>EMP.7FRG01</b>	800X680X565	50	840x770x670
<b>EMP.7FRG02</b>	1200X680X565	70	1230x770x670
<b>EMP.7FRG03</b>	1200X680X565	80	1230x770x670
<b>EMP.9FRG01</b>	800X847X565	60	840x940x670
<b>EMP.9FRG02</b>	1200X847X565	80	1230x940x670
<b>EMP.9FRG03</b>	1200X847X565	90	1230x940x670

## A2 TECHNICAL INFORMATION

Product Code	Power (Kw)	Model	Capacity
<b>EMP.7FRG01</b>	9	Ovens-Gas	2xGN 2/1
<b>EMP.7FRG02</b>	9	Ovens-Gas	2xGN 2/1
<b>EMP.7FRG03</b>	18	Ovens-Gas	2xGN 2/1
<b>EMP.9FRG01</b>	12	Ovens-Gas	2xGN 2/1
<b>EMP.9FRG02</b>	12	Ovens-Gas	2xGN 2/1
<b>EMP.9FRG03</b>	24	Ovens-Gas	2xGN 2/1

### A3 TRANSPORTATION

---

\* This appliance can not be moved by hand from area to area. Therefore Use a hauling truck (forklift or pallet jack) to move the appliance. ( The lifting arms of the of forklift or pallet jack must reach up to more than half part of t appliance underneath.

### A4 UNPACKING

---

\*Please unpack the package according to the security codes and ordinances of current country and get rid from the pack.Parts which contacts with food are produced by stainless steel.All plastic parts are marked by material's symbol.

\*Please check that all the parts of appliance had come completely and if they are damaged or not during the shipping.

### B INSTALLATION

---

\*Please place the product to straight and sturdy ground,please take necessary steps against possibility of overturn.

\*Technician who will serve for installation and service for the appliance must be professional on this subject and must have installation and service licenses by the company.

\*Connection to Gas Fitment must be done by authorized person.

\*The area where the appliance is must have enough ventilation and vent-hole.

\*The appliance must be connected correctly according to local and national gas standards of your country.

\*The appliance gas entrances are indicated with "G" label on the body.

\*Connection to gas fitment must be done with suitable diameter metal flex pipe and spheric valve.The spheric valve must be immobilized to a place that is far away from heat and accessible during the danger.After gas entrance connection done,gas leakages must be checked.











\*According to the datas on appliance information plate,gas and pressure must be adjusted.If the gas type that is adjusted is not the suitable with gas type that is at installation place,apply the instructions that is about adjustment of different gas type. (**Event :G**)

\* If the location where gas ranges placed is covered with nonflammable heat insulation material,the distance between them must be 5 cm.Otherwise it should be at least 20 cm.The appliance shouldn't be operated under chimney hood.

# OVENS - GAS

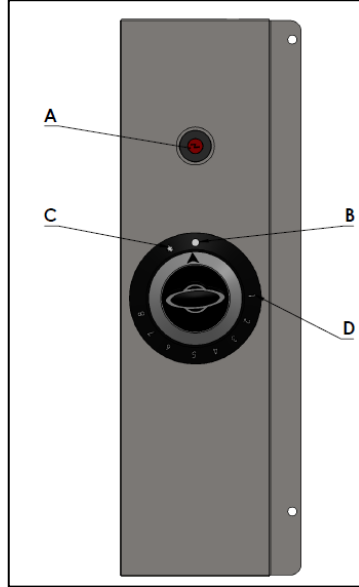
## C SAFETY INSTRUCTIONS

---

-  \*Do not use the appliance in insufficient lighted place.
-  \*Do not touch the moving attachments while the appliance operates.
-  \*Do not install the appliance in the presence of flammable or explosive materials.
-  \*Do not operate the appliance when the machine is empty.
-  \*Do not load so less or more than appliance's capacity.
-  \*Do not attempt to use the appliance without suitable protective equipments.
-  \*Because of any reason if there is a fire or flame flare where the appliance is used, turn off all gas valves and electric contactor switch quickly and use fire extinguisher. Never use water to extinguish the fire.
-  \*If there is gas leakage where the appliance is, do not fire absolutely and do not use electric.
-  \*Do not work the oven by closing or by disassembling its pipe.
-  \*Definitely do not allow to check the sealing with flame.

**D OPERATION****\*Control Panel;**

- A- Lighter Position
- B- Gas Off Position
- C- Pilot Flame Position
- D- Fire Levels

**\*Operating;**

- Lift the front side of the bottom cast of oven
- Press oven gas button and provide the pilot to be in flame position and fire the pilot.
- After the pilot is fired, press the button for a couple seconds (min:10) to heat safety thermocouple's end.
- By turning the button to left side according to the degree of heat on written on scala.
- Brülör primer ve sekonder yanma özelliği sayesinde yüksek yanma veriminin yanında düşük CO2 ve CO atık gaz emisyonu ile dünya standartlarında ve çevrecidir.
- Through Primary and secondary combustion burners feature, it is in world-class and is eco-friendly standards with the specifications "High Burning Efficiency" and "Low Waste Gas Emission" (CO2 and CO).

## OVENS - GAS

### **E      CLEANING & MAINTENANCE**

---

#### ➤ **CLEANING AND MAINTENANCE AFTER EVERY USE**

- Turn off the gas connection before cleaning.
- Clean the outer surface of the appliance with moist cloth.
- Do not use abrasive cleaning chemicals as these can leave harmful residues.
- Do not wash the appliance with pressure water.
- Do not clean the appliance with a materials that may damage chrome material.
- Wash the baking trays after each use with warm water and dry.

#### ➤ **PERIODIC CLEANING AND MAINTENANCE**

- Maintenance should be done by qualified person.
- These parts ; Gas storage,thermocouples,taps,burner,lighter and spark plug cable are not maintained so they need to be changed when they have error.
- Check the gas connection hoses in periodic time.If there is slit,hole..etc,change the hoses.
- Ventilate the area where the device is in periodic times.

**F TROUBLESHOOTING**

<b>THE APPLIANCE DOESN'T OPERATE</b>	<ol style="list-style-type: none"><li>1. Check if the gas connection is done or not.</li><li>2. If there is no gas entrance to safety and firing part,the appliance is not operated.</li><li>3. If the hoses that have gas entrance lose gas due to slit,hole.etc.,the appliance is not operated.</li></ol>
<b>THE APPLIANCE DOESN'T COOK WELL</b>	<ol style="list-style-type: none"><li>1. Check if it is operated at suitable gas setting or not.</li><li>2. Do not load so less or more than oven trays' capacity</li><li>3. Check the temperature adjustment of oven.</li></ol>
<b>THE APPLIANCE STOPPED</b>	<ol style="list-style-type: none"><li>1. When there is gas leakage,if there is solenoid gas stopper alarm,gas flow is stopped and the appliance is not operated.Ventilate the area through the agency of vent-hole.</li></ol>

- If cooking at Oven-Gas is not done at suitable quality
- If any function of security doesn't work
- Do not use the appliance.

**\*If these problems are still going on,contact with our authorized services.**



# OVENS - GAS

## G INJECTOR CHANGE AND GAS SETTING

### BURNER FOR GAS RANGES WITH OVEN - INJECTOR CHANGE CHART

Gas Group	Gas		SMALL	MEDIUM	LARGE		OVEN	Pilot
			Injector Ø mm	Injector Ø mm	Injector Ø mm	Injector Ø mm	Injector Ø mm	Injector Ø mm
2	G20		1,6	1,9	2,15	1,35	2,15	0,41
	G25		1,6	1,9	2,15	1,3	2,15	0,41
3	G30	30 mbar	1	1,2	1,35	0,85	1,35	0,22
		50 mbar	0,85	1	1,6	0,72	1,15	0,20
	G31	37 mbar	1	1,2	1,35	0,85	1,35	0,22
		30 mbar	0,95	1,15	1,3	0,81	1,3	0,20

#### Change of Oven Injectors;

1. Rip off the screws "F" from the "E" Bottom cast of Oven Lid. (Image 5)
2. Change the Oven injector with the suitable injector according to the gas type that will be used. (Image 6)
3. Change "C" Pilot Flame injector of Oven by paying attention to the datas at chart with suitable injector. ( Image 3)

#### Setting of Half Flame;

1. Remove the tap button and set by turning tap half flame screw (K) with suitable screwdriver.(Image 4) Turn it to left for transformation from LPG to N.G,turn it right for transformation from N.G to LPG.
2. After this process,operate the appliance and set it not to be deflated during transition from full flame to half flame.

H GAS CONNECTION IMAGES

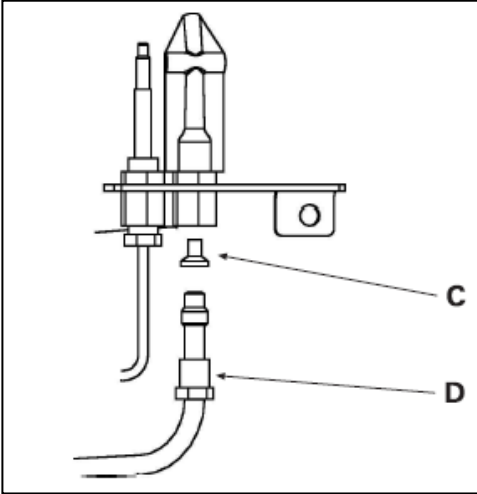


Image 3

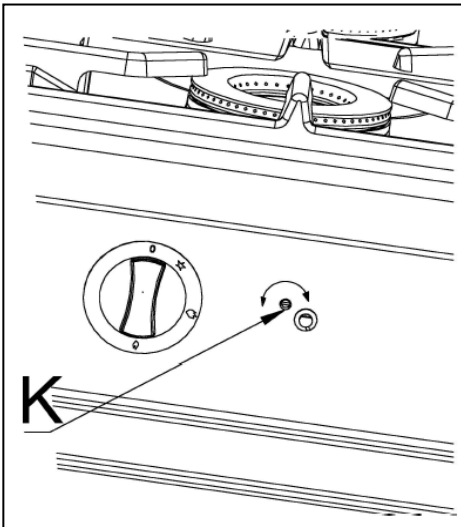


Image 4

# OVENS - GAS

## H GAS CONNECTION IMAGES

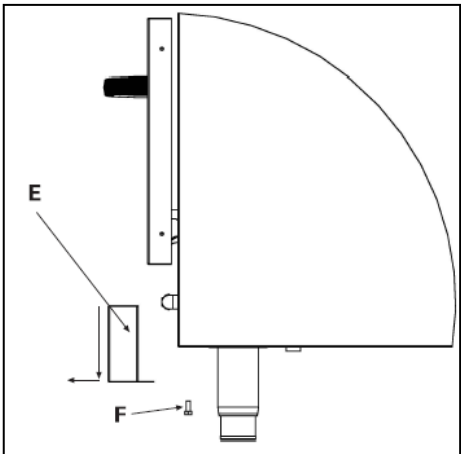


Image 5

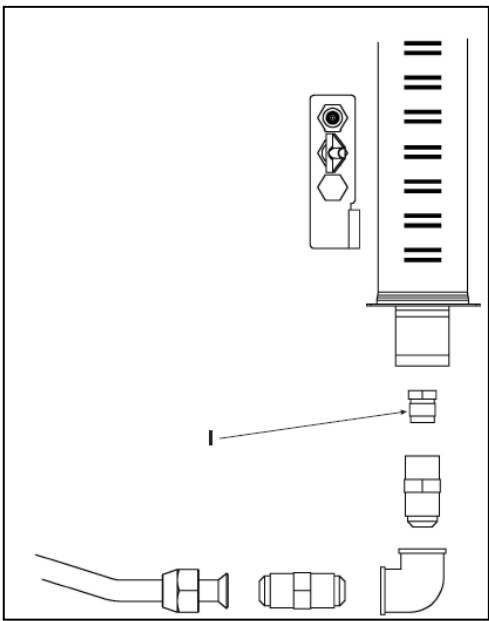
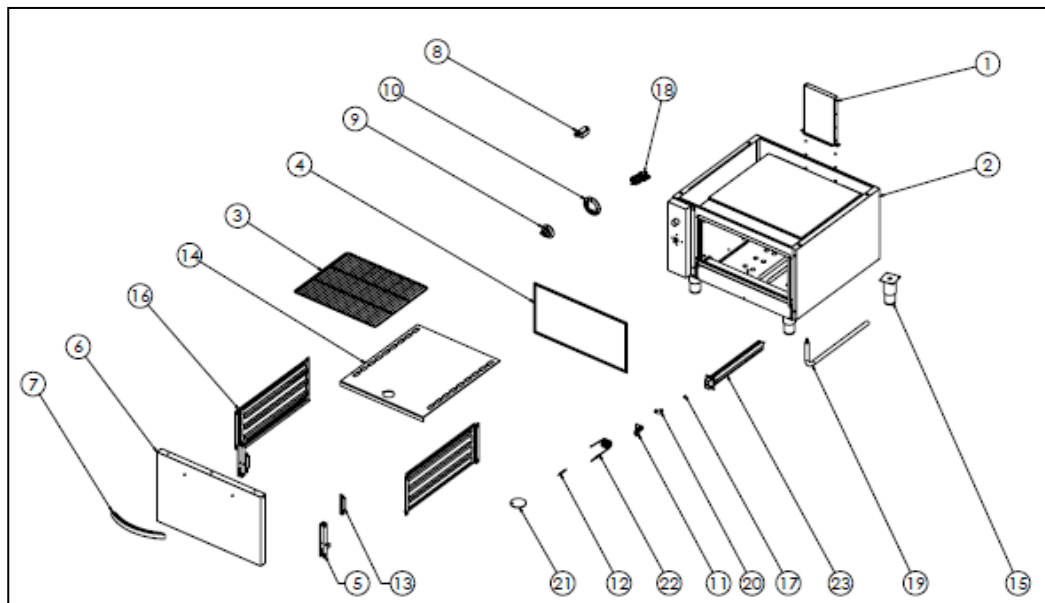


Image 6

I SPARE PART LIST-EXPLODING DRAWING



9FRG01-7FRG01

# OVENS - GAS

## I SPARE PART LIST-EXPLODING DRAWING

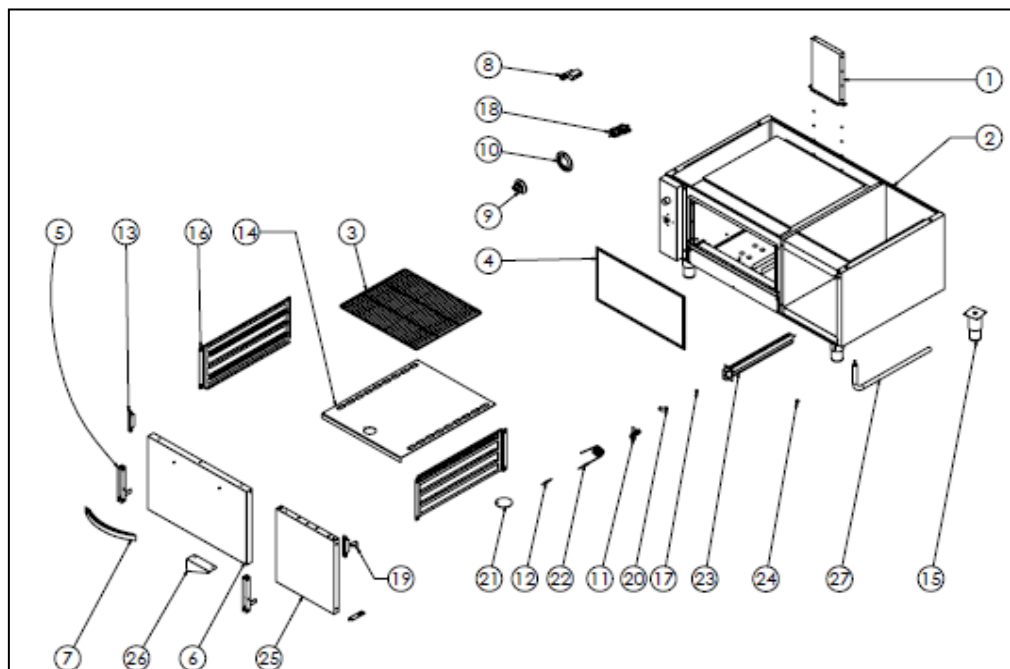
<b>PRODUCT CODE:EMP.7FRG01</b>		
<b>NO</b>	<b>PRODUCT NAME</b>	<b>P.CODE</b>
1	CHIMNEY HOOD	Y.EMP.7FRG01.001
2	BASE FRAME	Y.EMP.7FRG01.002
3	SHELF	Y.EMP.7FRG01.003
4	LID GASKET	Y.EMP.7FRG01.004
5	HINGE	Y.EMP.7FRG01.005
6	LID	Y.EMP.7FRG01.006
7	HANDLE	Y.EMP.7FRG01.007
8	LIGHTER (WITH BATTERY)	Y.EMP.7FRG01.008
9	BUTTON	Y.EMP.7FRG01.009
10	BUTTON BUFFER	Y.EMP.7FRG01.010
11	PILOT	Y.EMP.7FRG01.011
12	SPARKING PLUG+CABLE	Y.EMP.7FRG01.012
13	HINGE HOLDER	Y.EMP.7FRG01.013
14	BASE SHEETMETAL	Y.EMP.7FRG01.014
15	FEET	Y.EMP.7FRG01.015
16	SHELF SHEETMETAL	Y.EMP.7FRG01.016
17	INJECTOR GROUP	Y.EMP.7FRG01.017
18	GAS TAP PEL25	Y.EMP.7FRG01.018
19	GAS TANK	Y.EMP.7FRG01.019
20	BURNER BRACKET	Y.EMP.7FRG01.020
21	SURVEILLANCE SHEETMETAL	Y.EMP.7FRG01.021
22	THERMO PART	Y.EMP.7FRG01.022
23	BURNER	Y.EMP.7FRG01.023

**I SPARE PART LIST-EXPLODING DRAWING**

<b>PRODUCT CODE:EMP.9FRG01</b>		
<b>NO</b>	<b>PRODUCT NAME</b>	<b>P.CODE</b>
1	CHIMNEY HOOD	Y.EMP.9FRG01.001
2	BASE FRAME	Y.EMP.9FRG01.002
3	SHELF	Y.EMP.9FRG01.003
4	LID GASKET	Y.EMP.9FRG01.004
5	HINGE	Y.EMP.9FRG01.005
6	LID	Y.EMP.9FRG01.006
7	HANDLE	Y.EMP.9FRG01.007
8	LIGHTER (WITH BATTERY)	Y.EMP.9FRG01.008
9	BUTTON	Y.EMP.9FRG01.009
10	BUTTON BUFFER	Y.EMP.9FRG01.010
11	PILOT	Y.EMP.9FRG01.011
12	SPARKING PLUG+CABLE	Y.EMP.9FRG01.012
13	HINGE HOLDER	Y.EMP.9FRG01.013
14	BASE SHEETMETAL	Y.EMP.9FRG01.014
15	FEET	Y.EMP.9FRG01.015
16	SHELF SHEETMETAL	Y.EMP.9FRG01.016
17	INJECTOR GROUP	Y.EMP.9FRG01.017
18	GAS TAP PEL25	Y.EMP.9FRG01.018
19	GAS TANK	Y.EMP.9FRG01.019
20	BURNER BRACKET	Y.EMP.9FRG01.020
21	SURVEILLANCE SHEETMETAL	Y.EMP.9FRG01.021
22	THERMO PART	Y.EMP.9FRG01.022
23	BURNER	Y.EMP.9FRG01.023

# OVENS - GAS

## I SPARE PART LIST-EXPLODING DRAWING



9FRG02-7FRG02

**I SPARE PART LIST-EXPLODING DRAWING**

<b>PRODUCT CODE:EMP.7FRG02</b>		
<b>NO</b>	<b>PRODUCT NAME</b>	<b>P.CODE</b>
1	CHIMNEY HOOD	Y.EMP.7FRG02.001
2	BASE FRAME	Y.EMP.7FRG02.002
3	SHELF	Y.EMP.7FRG02.003
4	LID GASKET	Y.EMP.7FRG02.004
5	OVEN HINGE	Y.EMP.7FRG02.005
6	OVEN LID	Y.EMP.7FRG02.006
7	OVEN HANDLE	Y.EMP.7FRG02.007
8	LIGHTER (WITH BATTERY)	Y.EMP.7FRG02.008
9	BUTTON	Y.EMP.7FRG02.009
10	BUTTON BUFFER	Y.EMP.7FRG02.010
11	PILOT	Y.EMP.7FRG02.011
12	SPARKING PLUG+CABLE	Y.EMP.7FRG02.012
13	OVEN HINGE HOLDER	Y.EMP.7FRG02.013
14	BASE SHEETMETAL	Y.EMP.7FRG02.014
15	FEET	Y.EMP.7FRG02.015
16	SHELF SHEETMETAL	Y.EMP.7FRG02.016
17	INJECTOR GROUP	Y.EMP.7FRG02.017
18	GAS TAP PEL25	Y.EMP.7FRG02.018
19	CABINET HINGE GROUP	Y.EMP.7FRG02.019
20	BURNER BRACKET	Y.EMP.7FRG02.020
21	SURVEILLANCE SHEETMETAL	Y.EMP.7FRG02.021
22	THERMO PART	Y.EMP.7FRG02.022
23	BURNER	Y.EMP.7FRG02.023
24	MAGNET	Y.EMP.7FRG02.024
25	CABINET LID	Y.EMP.7FRG02.025
26	CABINET HANDLE	Y.EMP.7FRG02.026
27	GAS TANK	Y.EMP.7FRG02.027

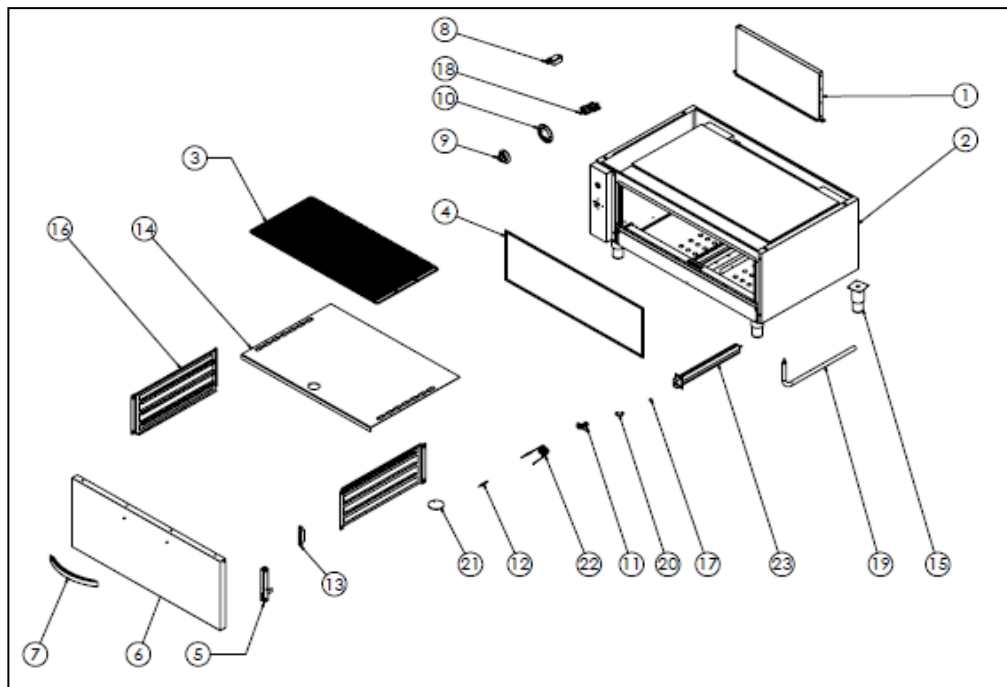




# OVENS - GAS

## I SPARE PART LIST-EXPLODING DRAWING

<b>PRODUCT CODE:EMP.9FRG02</b>		
<b>NO</b>	<b>PRODUCT NAME</b>	<b>P.CODE</b>
1	CHIMNEY HOOD	Y.EMP.9FRG02.001
2	BASE FRAME	Y.EMP.9FRG02.002
3	SHELF	Y.EMP.9FRG02.003
4	LID GASKET	Y.EMP.9FRG02.004
5	OVEN HINGE	Y.EMP.9FRG02.005
6	OVEN LID	Y.EMP.9FRG02.006
7	OVEN HANDLE	Y.EMP.9FRG02.007
8	LIGHTER (WITH BATTERY)	Y.EMP.9FRG02.008
9	BUTTON	Y.EMP.9FRG02.009
10	BUTTON BUFFER	Y.EMP.9FRG02.010
11	PILOT	Y.EMP.9FRG02.011
12	SPARKING PLUG+CABLE	Y.EMP.9FRG02.012
13	OVEN HINGE HOLDER	Y.EMP.9FRG02.013
14	BASE SHEETMETAL	Y.EMP.9FRG02.014
15	FEET	Y.EMP.9FRG02.015
16	SHELF SHEETMETAL	Y.EMP.9FRG02.016
17	INJECTOR GROUP	Y.EMP.9FRG02.017
18	GAS TAP PEL25	Y.EMP.9FRG02.018
19	CABINET HINGE GROUP	Y.EMP.9FRG02.019
20	BURNER BRACKET	Y.EMP.9FRG02.020
21	SURVEILLANCE SHEETMETAL	Y.EMP.9FRG02.021
22	THERMO PART	Y.EMP.9FRG02.022
23	BURNER	Y.EMP.9FRG02.023
24	MAGNET	Y.EMP.9FRG02.024
25	CABINET LID	Y.EMP.9FRG02.025
26	CABINET HANDLE	Y.EMP.9FRG02.026
27	GAS TANK	Y.EMP.9FRG02.027

**I SPARE PART LIST-EXPLODING DRAWING****9FRG03-7FRG03**



# OVENS - GAS

## I SPARE PART LIST-EXPLODING DRAWING

<b>PRODUCT CODE:EMP.7FRG03</b>		
<b>NO</b>	<b>PRODUCT NAME</b>	<b>P.CODE</b>
1	CHIMNEY HOOD	Y.EMP.7FRG03.001
2	BASE FRAME	Y.EMP.7FRG03.002
3	SHELF	Y.EMP.7FRG03.003
4	LID GASKET	Y.EMP.7FRG03.004
5	HINGE	Y.EMP.7FRG03.005
6	LID	Y.EMP.7FRG03.006
7	HANDLE	Y.EMP.7FRG03.007
8	LIGHTER (WITH BATTERY)	Y.EMP.7FRG03.008
9	BUTTON	Y.EMP.7FRG03.009
10	BUTTON BUFFER	Y.EMP.7FRG03.010
11	PILOT	Y.EMP.7FRG03.011
12	SPARKING PLUG+CABLE	Y.EMP.7FRG03.012
13	HINGE HOLDER	Y.EMP.7FRG03.013
14	BASE SHEETMETAL	Y.EMP.7FRG03.014
15	FEET	Y.EMP.7FRG03.015
16	SHEL SHEETMETAL	Y.EMP.7FRG03.016
17	INJECTOR GROUP	Y.EMP.7FRG03.017
18	GAS TAP PEL25	Y.EMP.7FRG03.018
19	GAS TANK	Y.EMP.7FRG03.019
20	BURNER BRACKET	Y.EMP.7FRG03.020
21	SURVEILLANCE SHEETMETAL	Y.EMP.7FRG03.021
22	THERMO PART	Y.EMP.7FRG03.022
23	BURNER	Y.EMP.7FRG03.023

**I SPARE PART LIST-EXPLODING DRAWING**

<b>PRODUCT CODE:EMP.9FRG03</b>		
<b>NO</b>	<b>PRODUCT NAME</b>	<b>P.CODE</b>
1	CHIMNEY HOOD	Y.EMP.9FRG03.001
2	BASE FRAME	Y.EMP.9FRG03.002
3	SHELF	Y.EMP.9FRG03.003
4	LID GASKET	Y.EMP.9FRG03.004
5	HINGE	Y.EMP.9FRG03.005
6	LID	Y.EMP.9FRG03.006
7	HANDLE	Y.EMP.9FRG03.007
8	LIGHTER (WITH BATTERY)	Y.EMP.9FRG03.008
9	BUTTON	Y.EMP.9FRG03.009
10	BUTTON BUFFER	Y.EMP.9FRG03.010
11	PILOT	Y.EMP.9FRG03.011
12	SPARKING PLUG+CABLE	Y.EMP.9FRG03.012
13	HINGE HOLDER	Y.EMP.9FRG03.013
14	BASE SHEETMETAL	Y.EMP.9FRG03.014
15	FEET	Y.EMP.9FRG03.015
16	SHEL SHEETMETAL	Y.EMP.9FRG03.016
17	INJECTOR GROUP	Y.EMP.9FRG03.017
18	GAS TAP PEL25	Y.EMP.9FRG03.018
19	GAS TANK	Y.EMP.9FRG03.019
20	BURNER BRACKET	Y.EMP.9FRG03.020
21	SURVEILLANCE SHEETMETAL	Y.EMP.9FRG03.021
22	THERMO PART	Y.EMP.9FRG03.022
23	BURNER	Y.EMP.9FRG03.023