

# CiBO

By Lincat

## Installation, Operating and Servicing Instructions

### CiBO All models

Please make a note of your product details for  
future use:

Date Purchased: \_\_\_\_\_

Model Number: \_\_\_\_\_

Serial Number: \_\_\_\_\_

Dealer: \_\_\_\_\_

\_\_\_\_\_

# CONTENTS

Important Information	2
Warnings and Precautions	3
Technical Data	3
Checklist of Enclosures	3
Installation and Commissioning	3
Operating Instructions	5
Cleaning	6
Servicing, Maintenance and Component Replacement	6
Fault Finding	7
Spare Parts List	7
Accessories	7
Service Information and Guarantee	7

## IMPORTANT INFORMATION



Read these instructions carefully before using this product, paying particular attention to all sections that carry warning symbols, caution symbols and notices. Ensure that these are understood at all times.



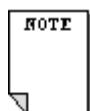
### **WARNING!**

This symbol is used whenever there is a risk of personal injury.



### **CAUTION!**

This symbol is used whenever there is a risk of damaging your Lincat product.



### **NOTE:**

This symbol is used to provide additional information, hints and tips.

**KEEP THIS MANUAL FOR FUTURE REFERENCE**

## WARNINGS AND PRECAUTIONS



This appliance must be installed, commissioned and serviced by a qualified person in accordance with national and local regulations in force in the country of installation.

If the supply cord is damaged, it must be replaced by the manufacturer, its service agent or similarly qualified person.

Ensure that the plug/socket is accessible at all times.

Strip plastic coating and clean the appliance before use.

During operation parts may become hot - avoid accidental contact.

Disconnect this appliance before servicing, maintenance or cleaning.

Do not cook directly on the glass base. Use a Teflon or similar lining sheet.

Do not use metal tools on the glass base.

This unit is fitted with a catalytic convertor that needs to be heated above 240 deg C to effectively remove smoke and fumes.

## TECHNICAL DATA

Height (mm)	367
Width (mm)	437
Depth (mm)	553
Weight (kg)	27kG
Power rating	2.8kW

## CHECK LIST OF ENCLOSURES

Warranty card	
Instructions manual	
Wire rack	Part code SH136
Loading tool	Part code CIBO/LT
USB Stick	Part code CIBO/USB
Backing tray	Part code CIBO/BT
Teflon sheet	Part code TFS05

# INSTALLATION AND COMMISSIONING

This appliance must be earthed.



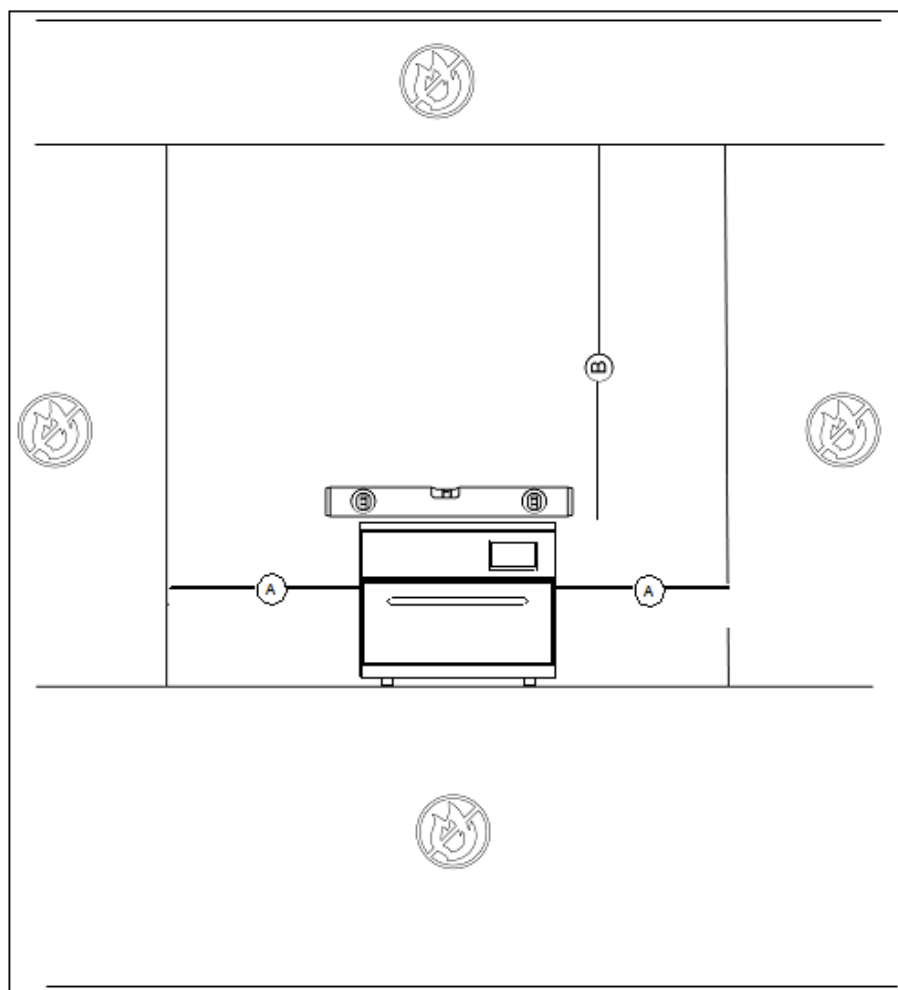
An equipotential bonding terminal is provided to allow cross bonding with other equipment.

If replacing the plug connect the terminals as follows:

Green and Yellow wire	Earth	E
Blue wire	Neutral	N
Brown wire	Live	L

Supply cords shall be oil resistant, sheathed flexible cable not lighter than ordinary polychloroprene or equivalent elastomer sheathed cord (code 60245 IEC 57)

Install this appliance on a level surface ensuring all vents are unobstructed. Any partitions, walls or furniture must be of non-combustible material. Minimum distances A 100mm, B100mm – see Fig 1.



# OPERATING INSTRUCTIONS

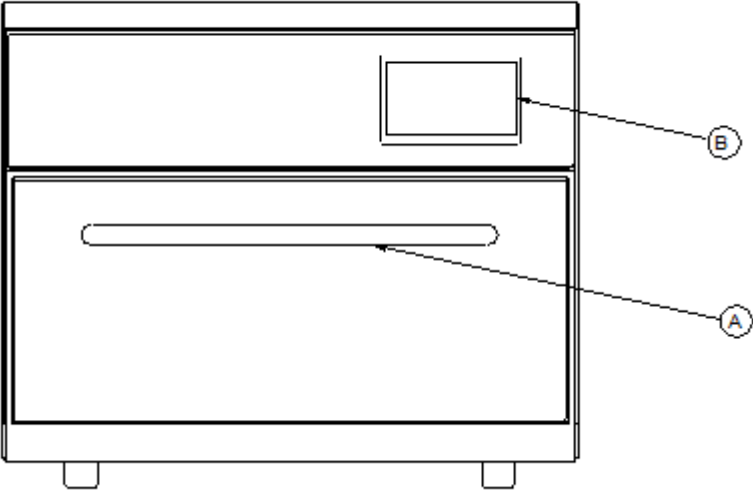


Figure 2 (Front View)

- A- Door Handle
- B- Touchscreen display

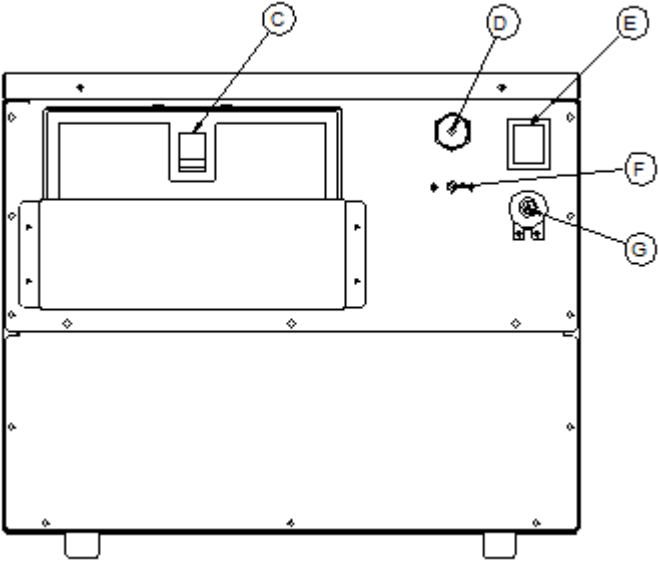


Figure 3 (Rear View)

- C- Grease filter
- D- USB port under waterproof cap
- E- Mains On/Off switch
- F- High limit safety thermostat reset button
- G- Mains power inlet

Only qualified or trained personnel should use this appliance.

Plug the unit into a 13A wall socket. There is an on switch on the rear of the unit on the Left hand side to turn the unit on. The unit will beep once and will self-test the elements and fans. The screen will show the CIBO logo and then go to the homescreen.

Refer to the Programming guide for the user interface operation and programming.

To use the unit simply select the correct program. The unit will Pre-heat to the set temperature and beep when ready to be loaded with product.

Place the food in the oven and press cook. The oven will cook the food and then beep to tell you when it is ready.

Press done and remove the food from the oven.

For details on programming the unit see the separate programming guide IS719 This appliance is fitted with a safety thermostat, which will cut power to the appliance under fault conditions. If when turning the rear switch on the display works but the appliance does not heat up, the safety thermostat may need re-setting. Push the red button on the rear panel (Fig 3 – F). This re-set cannot be activated until the appliance is cool. If this continues to happen please call our service department.

To adjust the clock settings go to the home screen, click on the clock in the top right corner, select the hours or minutes to change, adjust and save.

## CLEANING

*Your product has a manufacturer's warranty. This requires you maintain and care for your product and follow maintenance instructions. If you fail to maintain your unit or damage components Lincat may charge you for a warranty repair. Please check the website for terms and conditions.*



Do not use a water jet or steam cleaner, and do not immerse this appliance.

When cool clean all panels with warm water and mild detergent, do not use abrasive materials. Dry with a soft cloth.

Do not spray the grill heating elements or catalytic converter (above the grill elements) with detergent or caustic oven cleaner.

## SERVICING, MAINTENANCE AND COMPONENT REPLACEMENT

All servicing, maintenance and component replacement on this appliance should be carried out by one of our recommended service engineers.

Regularly check the filter on the back of the unit. It may be cleaned in a dishwasher. Do not use the unit without the filter.

The door seal on this unit is considered a consumable part and is not covered by the warranty. It is a customer replaceable part.

Lincat advise that the catalytic convertor is checked annually and debris and food particles carefully removed. Do not use any cleaning solutions. Damage to the catalytic convertor is not covered by warranty.

Lincat also advise that the battery is changed annually. The battery is not covered by warranty. The clock feature is provided for your benefit, but is not essential to operation of the unit.

## FAULT FINDING

Please refer to the Service Help Desk number on the final page of this manual.

## SPARE PARTS LIST

Please contact the spares department for all spares requirements.

## ACCESSORIES

Part Number	Description
CIBO/LT	Load tool
TFS05	Teflon sheet
FI58	Filter
SH136	Wire shelf

## SERVICE INFORMATION

For help with the installation, maintenance and use of your **Lincat** equipment, please contact our service department:

**☎ UK: 01522 875520**

For non-UK customers, please contact your local Lincat dealer

All service work, other than routine cleaning should be carried out by one of our authorised service agents. We cannot accept responsibility for work carried out by other persons.

To ensure your service enquiry is handled as efficiently as possible, please tell us:

- Brief details of the problem
  - Product code
  - Type number
  - Serial number
- } All available on serial plate

Lincat reserve the right to carry out any work under warranty, given reasonable access to the appliance, during normal working hours, Monday to Friday, 08:30 to 17:00.

## **GUARANTEE**

This unit carries a comprehensive UK mainland 2 year warranty. The guarantee is in addition to, and does not diminish your statutory or legal rights.

The guarantee does not cover:

- Accidental damage, misuse or use not in accordance with the manufacturer's instructions
- Consumable items (such as filters, glass, bulbs, slot toaster elements and door seals.)
- Damage due to incorrect installation, modification, unauthorised service work or damage due to scale, food debris build-up, etc.
- The door seal on this unit is considered a consumable part and is not covered by the warranty. It is a customer replaceable part.

The manufacturer disclaims any liability for incidental, or consequential damages. Attendance is based on reasonable access to the appliance to allow the authorised technician to carry out the warranty work.

Service calls to equipment under warranty will be carried out in accordance with the conditions of sale. Unless otherwise specified, a maximum of 15 minutes of administrative time, not spent directly carrying out servicing work, is provided for within the warranty. Any requirement for staff attending the call to spend greater time than 15 minutes due to administrative requirements, such as on health and safety risk assessments, will be chargeable at the prevailing rate.