



## LDF2 - Lincat Lynx 400 Electric Counter-top Twin Tank General Purpose Fryer - 2 Baskets - W 540 mm - 2 x 3.0 kW

The 2 x 3kW Lynx 400 Twin-Tank Electric Counter Top Fryer is designed to plug in and play, which means that you'll be producing perfect fried chips in no time at all.

- ✓ Two tanks to allow cooking of different foods and reduce cross contamination
- ✓ Removable control head to aid easy cleaning and maintenance
- ✓ Thermostatically controlled to give better and more consistent cooking results
- ✓ Safety thermostat to prevent overheat
- ✓ Stainless steel tanks for easy cleaning
- ✓ Comes with batter plate to allow open frying
- ✓ Nickel plated baskets for easy cleaning
- ✓ Plug and play for an easy installation

### Specifications

#### Summary

|                             |                                   |
|-----------------------------|-----------------------------------|
| <b>Brand</b>                | Lincat                            |
| <b>Range</b>                | Lynx 400                          |
| <b>Power Type</b>           | Electric                          |
| <b>Unit Type</b>            | Counter-top                       |
| <b>Available in UK Only</b> | No                                |
| <b>UK Warranty</b>          | 2 Years Parts and Labour Warranty |
| <b>Export Warranty</b>      | Contact your local dealer         |
| <b>GTIN</b>                 | 5056105101031                     |

#### Power and Performance

|                             |            |
|-----------------------------|------------|
| <b>Total Power kW</b>       | 2 x 3.0    |
| <b>Temperature Range °C</b> | 130-190    |
| <b>IP Rating</b>            | IP23       |
| <b>Temperature Control</b>  | Mechanical |

#### Key Specifications

|                           |    |
|---------------------------|----|
| <b>Number of Baskets</b>  | 2  |
| <b>Number of Tanks</b>    | 2  |
| <b>Gravity Filtration</b> | No |
| <b>Pumped Filtration</b>  | No |

#### Capacity

|                                |   |
|--------------------------------|---|
| <b>Product Output per Hour</b> | 17kg chips - 12mm [frozen], 21kg chips - 12mm [chi] |
| <b>Capacity Litres</b>         | 2 x 4.0   |

#### Weights and Dimensions

|                                  |      |
|----------------------------------|------|
| <b>Unit Height (External) mm</b> | 315  |
| <b>Unit Width (External) mm</b>  | 540  |
| <b>Unit Depth (External) mm</b>  | 417  |
| <b>Net Weight Kg</b>             | 14.7 |

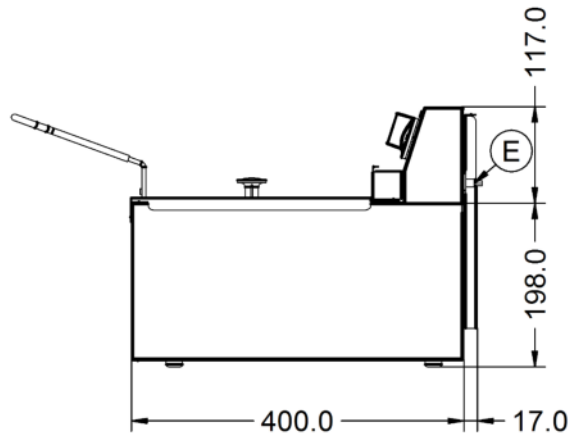
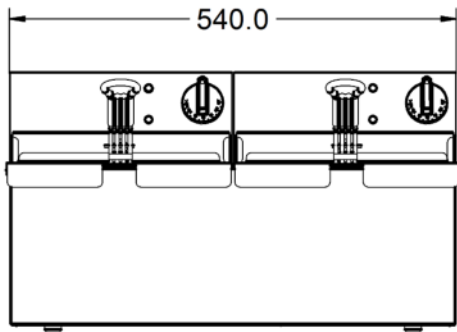
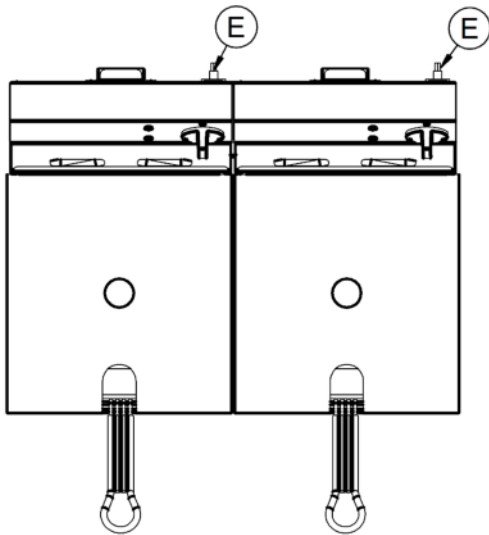
#### Supply Connections

|                                       |           |
|---------------------------------------|-----------|
| <b>Requires Installation</b>          | No        |
| <b>Requires Electrical Supply</b>     | Yes       |
| <b>UK 3 Pin Plug</b>                  | Yes       |
| <b>Requires Hardwiring</b>            | No        |
| <b>Electrical Supply Rating Watts</b> | 2 x 3,000 |
| <b>Single Phase Amps</b>              | 2 x 13.0  |
| <b>Single Phase Voltage</b>           | 230       |

#### Shipping

|                         |      |
|-------------------------|------|
| <b>Packed Weight Kg</b> | 18   |
| <b>Packed Height cm</b> | 49.5 |
| <b>Packed Width cm</b>  | 70   |
| <b>Packed Depth cm</b>  | 55   |

### Technical Picture



**Lincat Limited**

Whisby Road,  
Lincoln, LN6 3QZ,  
United Kingdom

**Company No:** 2175448

A member company of



**Customer Care**

**Tel:** +44 1522 875500  
**Email:** care@lincat.co.uk

**Export Customers**

**Tel:** +44 1522 875536  
**Email:** export@lincat.co.uk

**Opening Hours**

**Monday – Friday:**  
8.30am – 5pm